
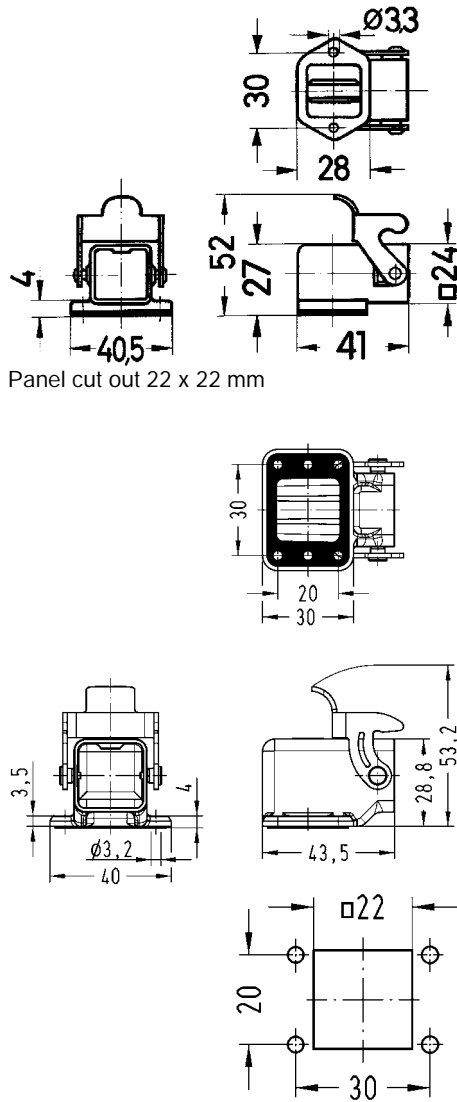

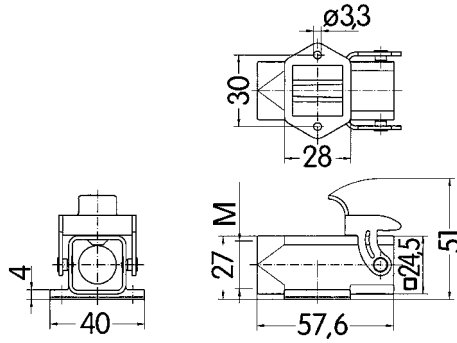


Identification	Cable entry	Part number	Drawing Dimensions in mm
<p>Han® EMV, Bulkhead mounted housings, angled</p> 		<p>09 62 003 0801 09 62 003 0810</p>	 <p>Panel cut out 22 x 22 mm</p>
<p>Han® EMV, Surface mounted housings, top entry</p> 	<p>1xM20</p>	<p>19 62 003 1250</p>	 <p>Panel cut out 22 x 22 mm</p>

Hoods
Housings