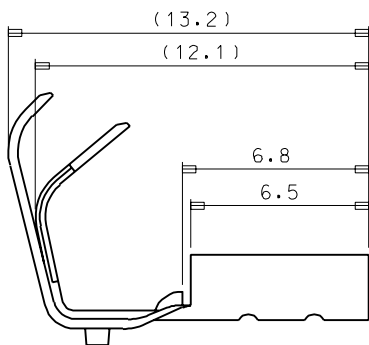
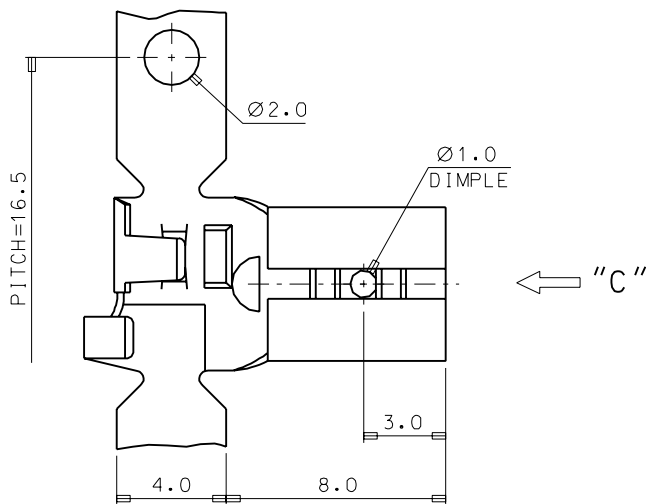


ENG. NO SD 35718-12**

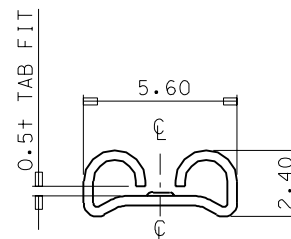
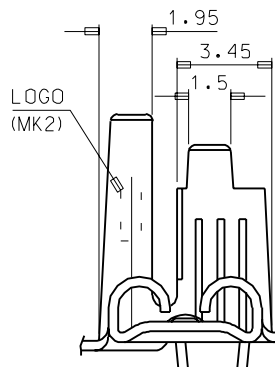
EDP NO.

SIMILAR ITEM

PROJECT NO.



- NOTES
- MATERIAL : 35718-12*0 (BRASS)
35718-12*1 (PHOSPHOR BRONZE)
 - THICKNESS : 0.35mm
 - FINISH : 35718-120* (UNPLATED)
35718-121* (POST PLATED TIN)
 - GENERAL TOLERANCE : 1PLCS : ± 0.3
2PLCS : ± 0.2



VIEW "C"

WIRE RANGE AWG #20 - #16 (0.52-1.31mm ²)					MATERIAL SEE NOTES	MOLEX-KOREA CO.,LTD.	
INSULATION RANGE Ø 3.1 MAX.					GENERAL TOLERANCE DIMENSION : ANGLE :	DRAWN BY W. Y. YANG	CHK'D BY
DIE FEED: ---	B	REVISED	KOR7 -0085	97 7.16	DIMENSION CLASSIFICATION ▽ : CRITICAL ▼ : MAJOR () : REFERENCE	APP'D BY	SCALE 6/1
APPLICATOR FEED: 16.5	A	NEW RELEASED	93-003	93 2.27	ASS'Y PART DESCRIPTION	TITLE: .187 FLAG RECEPTACLE	
O'TY/ REEL OR PACK 4,000 O'TY/REEL	LTR	REVISION RECORD	ECN	DATE	ENG. NO.	ENG. NO. SD 35718-12**	SHEET 1 of 1 REV B
REVISE ONLY ON CAD SYSTEM					---	---	