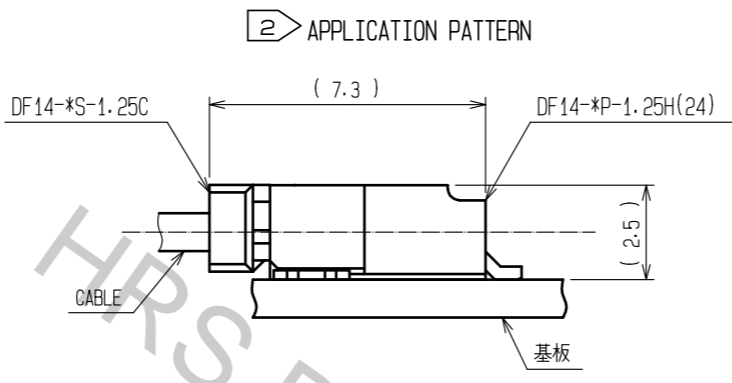
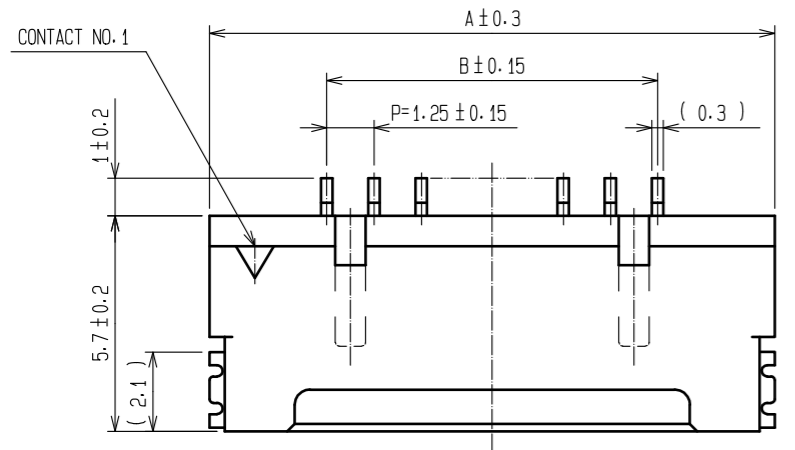
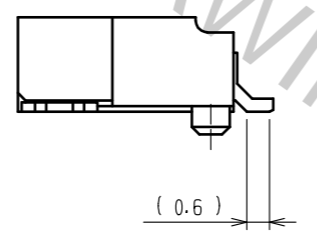
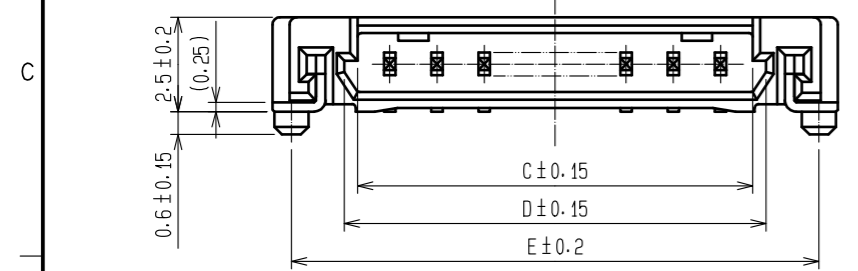


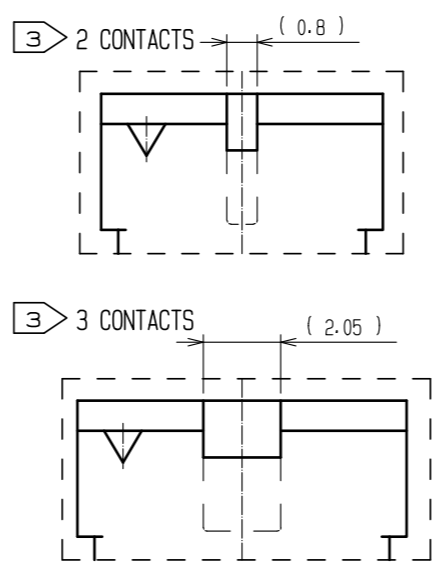
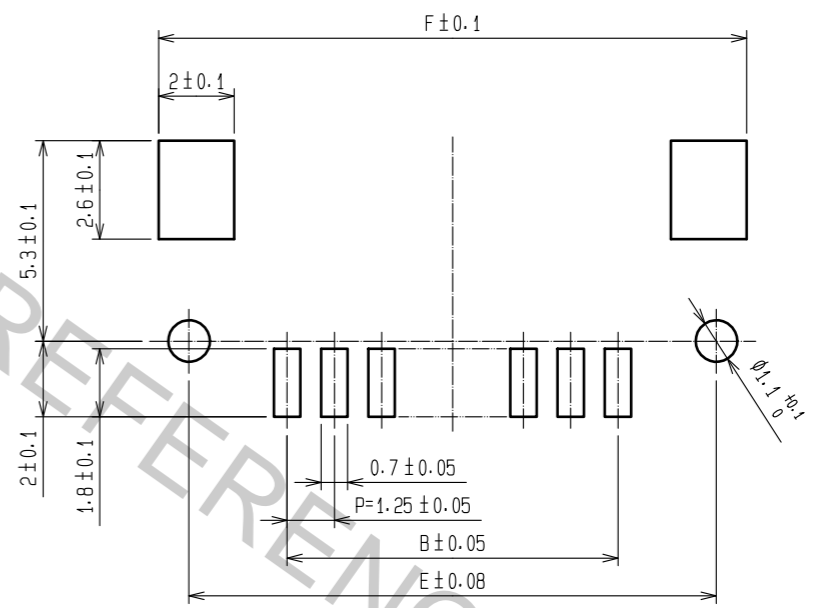
Aug.1.2018 Copyright 2018 HIROSE ELECTRIC CO., LTD. All Rights Reserved.
 In case that the application demands a high level of reliability, such as automotive,
 please contact a company representative for further information.



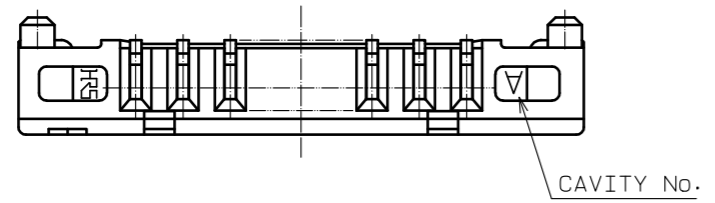
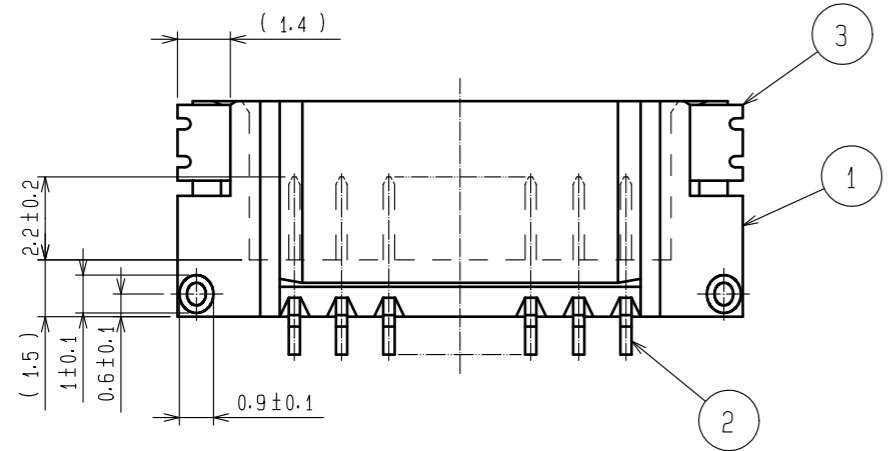
PART NO.	HRS NO.	CONTACTS	A	B	C	D	E	F
DF 14- 2P-1.25H(24)	CL538-0021-4-24	2	7.45	1.25	2.95	3.65	6.45	8.05
DF 14- 3P-1.25H(24)	CL538-0022-7-24	3	8.70	2.50	4.20	4.90	7.70	9.30
DF 14- 4P-1.25H(24)	CL538-0023-0-24	4	9.95	3.75	5.45	6.15	8.95	10.55
DF 14- 5P-1.25H(24)	CL538-0024-2-24	5	11.20	5.00	6.70	7.40	10.20	11.80
DF 14- 6P-1.25H(24)	CL538-0025-5-24	6	12.45	6.25	7.95	8.65	11.45	13.05
DF 14- 7P-1.25H(24)	CL538-0026-8-24	7	13.70	7.50	9.20	9.90	12.70	14.30
DF 14- 8P-1.25H(24)	CL538-0027-0-24	8	14.95	8.75	10.45	11.15	13.95	15.55
DF 14- 9P-1.25H(24)	CL538-0028-3-24	9	16.20	10.00	11.70	12.40	15.20	16.80
DF 14-10P-1.25H(24)	CL538-0029-6-24	10	17.45	11.25	12.95	13.65	16.45	18.05
DF 14-15P-1.25H(24)	CL538-0084-4-24	15	23.70	17.50	19.20	19.90	22.70	24.30
DF 14-20P-1.25H(24)	CL538-0089-8-24	20	29.95	23.75	25.45	26.15	28.95	30.55
DF 14-25P-1.25H(24)	CL538-0094-8-24	25	36.20	30.00	31.70	32.40	35.20	36.80
DF 14-30P-1.25H(24)	CL538-0020-1-24	30	42.45	36.25	37.95	38.65	41.45	43.05



RECOMMENDED PATTERN



NOTE 1. LEAD CO-PLANALITY INCLUDE REINFORCED METAL FITTING SHALL BE 0.1 MAX.
 2 WHEN THIS CONNECTOR MATES WITH DF14-*S-1.25C, THE MATING LENGTH IS 7.3mm.
 3 FOR CONNECTORS, 2 OR 3 CONTACTS, SIMPLIFIED LOCK HOLE SHALL BE SET AT THE CENTER OF HOUSING.

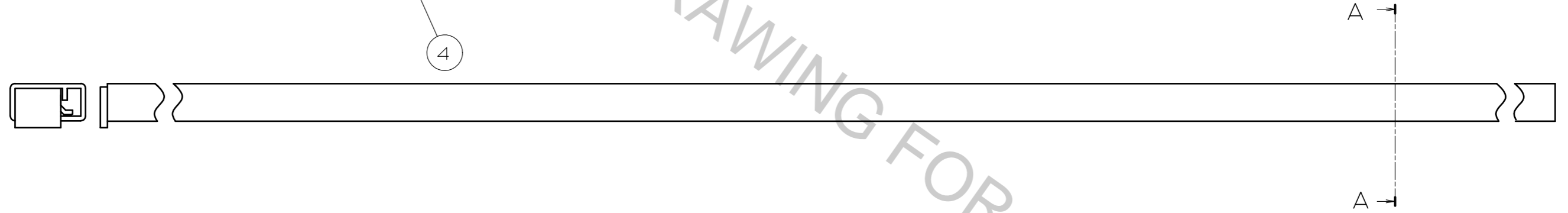
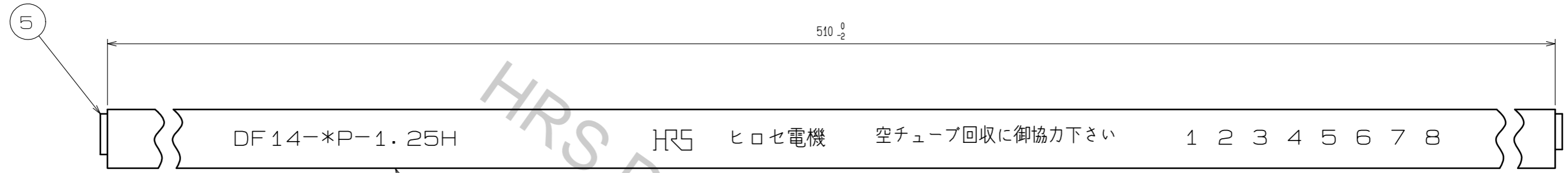


NO.	MATERIAL	FINISH . REMARKS	NO.	MATERIAL	FINISH . REMARKS
3	PHOSPHOR BRONZE	TIN-COPPER PLATED 1#m min UNDER PLATING:NICKEL PLATED 0.5#m min	5	ELASTOMER	GREEN
2	BRASS	TIN-COPPER PLATED 1#m min UNDER PLATING:NICKEL PLATED 0.5#m min	4	R. PVC	ELECTROSTATIC PROTECTION: CLEAR
1	POLYAMIDE	BEIGE, UL94V-0			

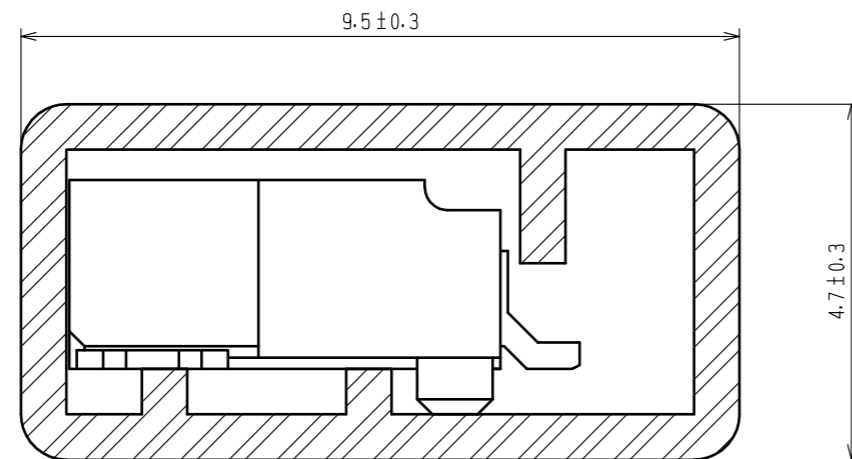
UNITS	SCALE	COUNT	DESCRIPTION OF REVISIONS	DESIGNED	CHECKED	DATE
mm	5 : 1	△	APPROVED : HS. OKAWA 18.03.16			
			CHECKED : TS. FUKUSHIMA 18.03.16			
			DESIGNED : TS. KUMAZAWA 18.03.08			
			DRAWN : MK. INOUE 18.03.07			

DRAWING NO.	PART NO.	CODE NO.
EDC-160307-24-00	DF14- *P-1.25H(24)	CL538-

Aug.1.2018 Copyright 2018 HIROSE ELECTRIC CO., LTD. All Rights Reserved.
 In case that the application demands a high level of reliability, such as automotive,
 please contact a company representative for further information.



A-A (10:1)



NOTE 4 THE TUBE HAS ONE STOPPER AT EACH END.
 5 WARPAGE OF THE TUBE SHALL BE ALLOWED $\pm 2\text{mm}$ PER 510mm.
 6 MINIMUM UNIT OF PURCHASE SHALL BE THE QUANTITY OF CONNECTORS IN TUBE.

PART NO.	CONTACTS	QUANTITY OF CONNECTOR
DF14-2P-1.25H(24)	2	66
DF14-3P-1.25H(24)	3	56
DF14-4P-1.25H(24)	4	49
DF14-5P-1.25H(24)	5	44
DF14-6P-1.25H(24)	6	39
DF14-7P-1.25H(24)	7	36
DF14-8P-1.25H(24)	8	32
DF14-9P-1.25H(24)	9	30
DF14-10P-1.25H(24)	10	28
DF14-15P-1.25H(24)	15	20
DF14-20P-1.25H(24)	20	16
DF14-25P-1.25H(24)	25	13
DF14-30P-1.25H(24)	30	11

HRS	DRAWING NO.	EDC-160307-24-00
	PART NO.	DF14-*P-1.25H(24)
	CODE NO.	CL538-