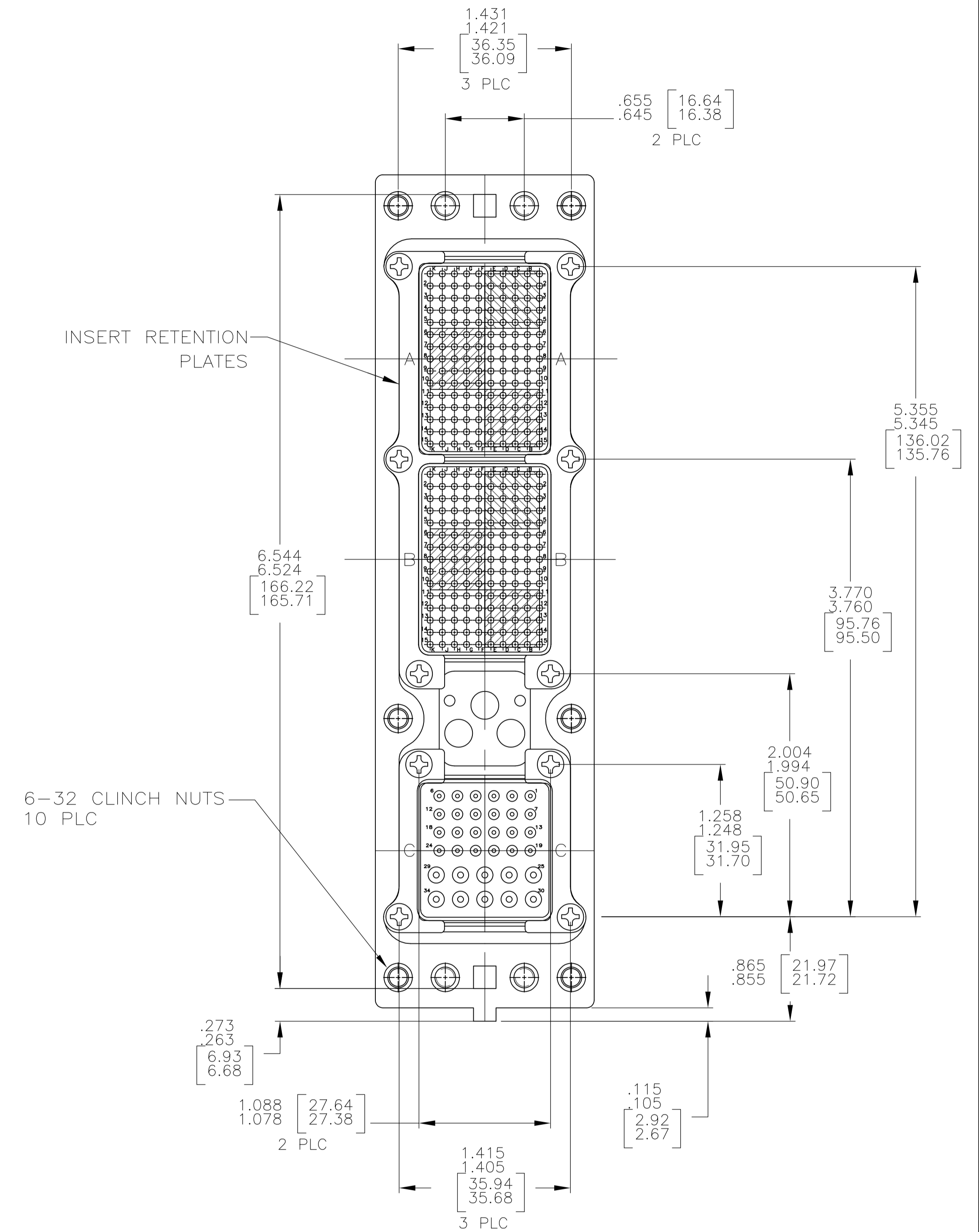
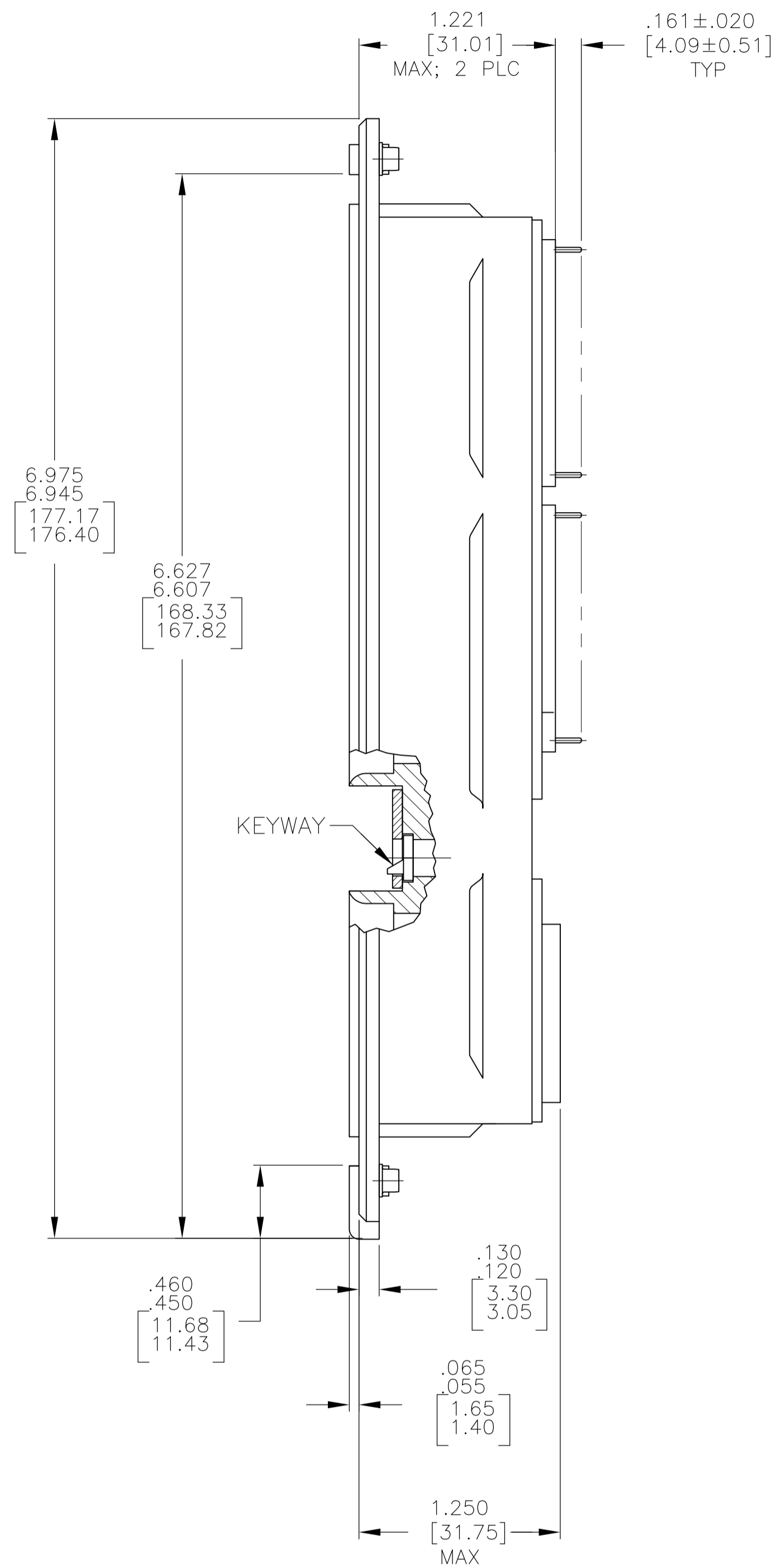
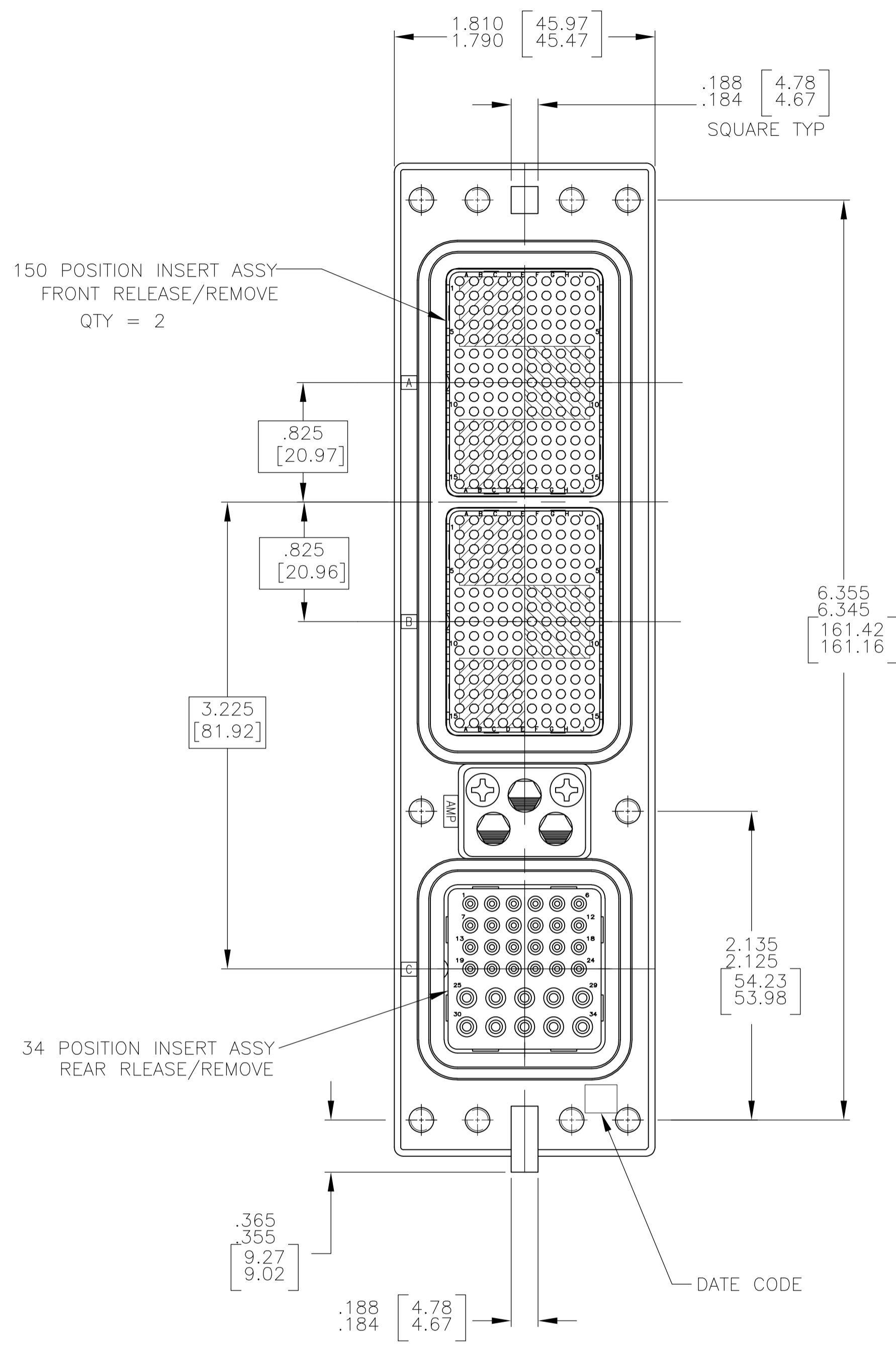


LOC		DIST		REVISIONS			
F	LTR	DESCRIPTION	DATE	DWN	APVD		
B	REV PER ECO	09-000232	1-9-09	CT	KT		

- CONNECTOR DIMENSIONS ARE PER ARINC 600 SPECIFICATION.
- CONNECTOR IS SUPPLIED WITH CONTACTS AS LISTED IN TABLE.
- KEYING SHOWN IN POSITION "01" FOR ILLUSTRATION ONLY. CONNECTORS SHIPPED WITH KEYING INSTALLED IN POSITION PER TABLE. FOR POSITION "00" KEYING HARDWARE SHIPPED UNASSEMBLED.



COMPONENT	MATERIAL	FINISH
SHELL	DIE CAST ALUMINUM PER ASTM-B-85	ELECTROLESS NICKEL PER MIL-C-26074
INSERT RETENTION PLATES	ALUMINUM ALLOY PER ASTM-B-209	ELECTROLESS NICKEL PER MIL-C-26074
FLAT HEAD SCREWS	STAINLESS STEEL	PASSIVATED
POLARIZING KEYS	ZINC ALLOY PER ASTM-B-86	-
150 & 100 INSERTS	THERMOSET OR THERMOPLASTIC PPS PER MIL-M-24519	-
POLARIZING KEY RETAINING PLATE	ALUMINUM ALLOY PER ASTM-B-209	BLUE ANODIZED PER MIL-A-8625

"161"	MODULE A 211431-2 (SIZE 22 POSTED; QTY=150) MODULE B 211431-2 (SIZE 22 POSTED; QTY=150) MODULE C NO CONTACTS SUPPLIED	1996412-1
KEYING POSITION	CONTACTS INCLUDED AND INSTALLED	PART NUMBER

THIS DRAWING IS A CONTROLLED DOCUMENT.

APPROVED: C.C. THOMAS 12-5-07
 CHK: K. THACKSTON 12-5-07
 NAME: K. THACKSTON 12-5-07

TOLERANCES UNLESS OTHERWISE SPECIFIED:
 0 PLC ± -
 1 PLC ± -
 2 PLC ± -
 3 PLC ± -
 4 PLC ± -
 ANGLES ± -

APPLICABLE SPEC: RCPT ASSY, SIZE 2, ARINC 600 (150/150/34)

SIZE: A1
 CASE CODE: 00779
 DRAWING NO: 1996412

RESTRICTED TO: -

CUSTOMER DRAWING SCALE: 3:2 SHEET: 1 OF 1 REV: B