

6

5

4

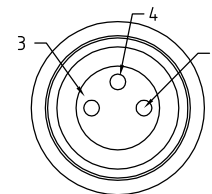
3

2

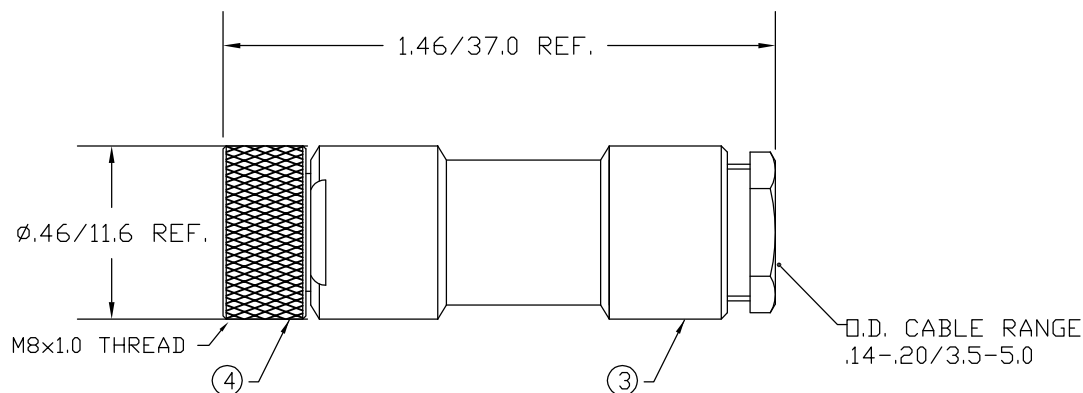
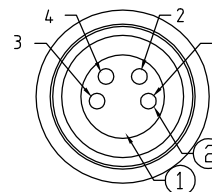
1

MATERIAL NUMBER	OLD PART NUMBER
120091-0001	N03FA03124
120091-0007	N04FA03124

3 POLE FEMALE FACE VIEW



4 POLE FEMALE FACE VIEW



VOLTAGE RATING	60 VAC/ 75 VDC
AMPERAGE RATING	4 AMPS
PROTECTION	IP67
OPERATING TEMPERATURE	0°C TO 80°C

ITEM	COMPONENT	MATERIAL	FINISH
1	INSERT	NYLON	BLACK
2	CONTACT PIN	COPPER ALLOY	GOLD OVER NICKEL
3	BODY	NYLON	BLACK
4	COUPLING NUT	BRASS	NICKEL PLATED

RLSD DRAWING  
 EC NO: WNA2010-0139  
 DRWN: BWOODMAN 8/26/09  
 CHKD: JM  
 APPR: JFMURPHY 2009/08/31  
 REV: A

QUALITY SYMBOLS  
 ▽=0  
 ∇=0

GENERAL TOLERANCES (UNLESS SPECIFIED)

	mm	INCH
4 PLACES	±----	±---
3 PLACES	±----	±---
2 PLACES	±----	±.01
1 PLACE	±0.3	±---

ANGULAR ±---°  
 DRAFT WHERE APPLICABLE  
 MUST REMAIN  
 WITHIN DIMENSIONS

DIMENSION STYLE IN/MM

DRAWN BY DATE  
**BW** 2009/08/26  
 CHECKED BY DATE  
**LH** 2009/08/26  
 APPROVED BY DATE  
**JFMURPHY** 2009/08/28

SCALE

DESIGN UNITS

THIRD ANGLE PROJECTION

TITLE M8 FEMALE ATTACHABLE 3 AND 4 POLE

MOLEX INCORPORATED

SEE CHART

DOCUMENT NO. SD-120091-002

SHEET NO. 1 OF 1

THIS DRAWING CONTAINS INFORMATION THAT IS PROPRIETARY TO MOLEX INCORPORATED AND SHOULD NOT BE USED WITHOUT WRITTEN PERMISSION

6

5

4

3

2

1