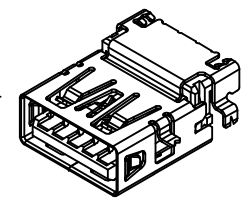


RECOMMENDED PCB LAYOUT(T=1.20mm)
GENERAL TOLERANCE \pm 0.05

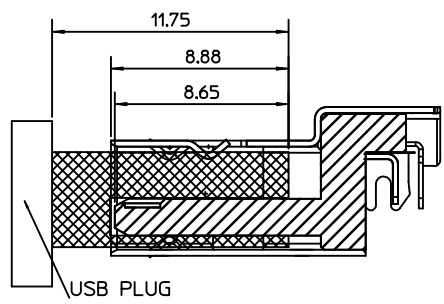
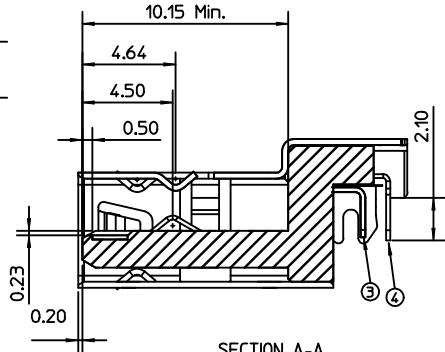
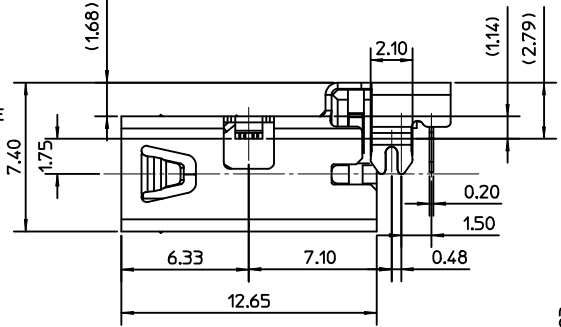
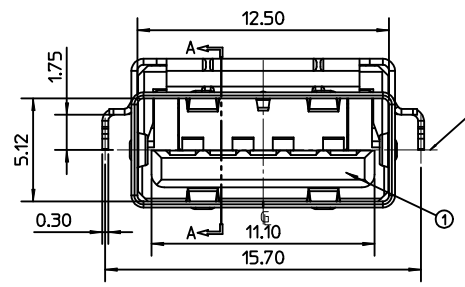


- NOTES:
- MATERIAL:
 - HOUSING: THERMOPLASTIC, HIGH TEMP., UL94V-0, COLOR: BLUE
 - CONTACT: COPPER ALLOY
 - SHELL: STAINLESS STEEL
 - FINISH:
 - CONTACT: PLS. SEE TABLE INFORMATION
 - SOLDER TAIL PLATING: MATT TIN OVER NICKEL
 - UNDERPLATING: NICKEL OVER ALL
 - SHELL: NICKEL PLATING OVER ALL
 - SPEC. PLS. REFER TO PS- 48397-001
 - PACKAGE PLS. REFER TO PK- 48397-001
 - LEAD FREE AND ROHS COMPLIANT PRODUCT
 - DATE CODE

YEAR: 1=2011
MONTH: A(JAN). B(FEB)
DATE: 8=08

1 A 08 X X

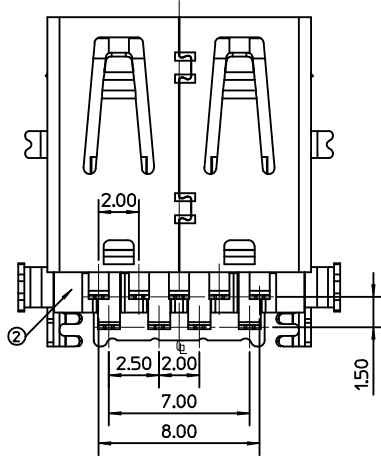
REMARK
PRODUCE PLACE



TABLE

PLATING	MOLEX P/N
30u GOLD	48397-0001
2u GOLD&30u Pd-Ni	48397-0002
15u GOLD	48397-0003
GOLD FLASH(3u MIN)	48397-0004

5	METAL SHELL	STAINLESS STEEL
4	TERMINAL A	COPPER ALLOY
3	TERMINAL B	COPPER ALLOY
2	SPACER	THERMOPLASTIC
1	HOUSING	THERMOPLASTIC
No.	DESCRIPTION	MATERIAL



SHELL	SIGNAL NAME
9	STDA_SSTX+
8	STDA_SSTX-
7	GND_DRAIN
6	STDA_SSRX+
5	STDA_SSRX-
4	GND
3	D+
2	D-
1	VBUS
PIN NO.	SIGNAL NAME

RELEASE

EC NO: DRWN:FANG05 2013/10/20

CHKD: APPR:

QUALITY SYMBOLS

$F_A=0$

$F_B=0$

$F_C=0$

GENERAL TOLERANCES (UNLESS SPECIFIED)

	mm	INCH
4 PLACES		
3 PLACES		
2 PLACES	\pm 0.25	
1 PLACE	\pm 0.25	

ANGULAR \pm 3°

DRAFT WHERE APPLICABLE MUST REMAIN WITHIN DIMENSIONS

DIMENSION STYLE
MM ONLY

DRAWN BY: Wan.Bo DATE: 2013/04/05

CHECKED BY: SAM DATE: 2013/04/05

APPROVED BY: JASON DATE: 2013/04/05

MATERIAL NO. SEE TABLE

SCALE 1:1

DESIGN UNITS METRIC

THIRD ANGLE PROJECTION

TITLE: USB3.0 REVERSE SINK A TYPE CH=1.75mm T/H R/A

MOLEX MOLEX INCORPORATED

DOCUMENT NO. SD-48397-001

SHEET NO. 1 OF 1