

4

3

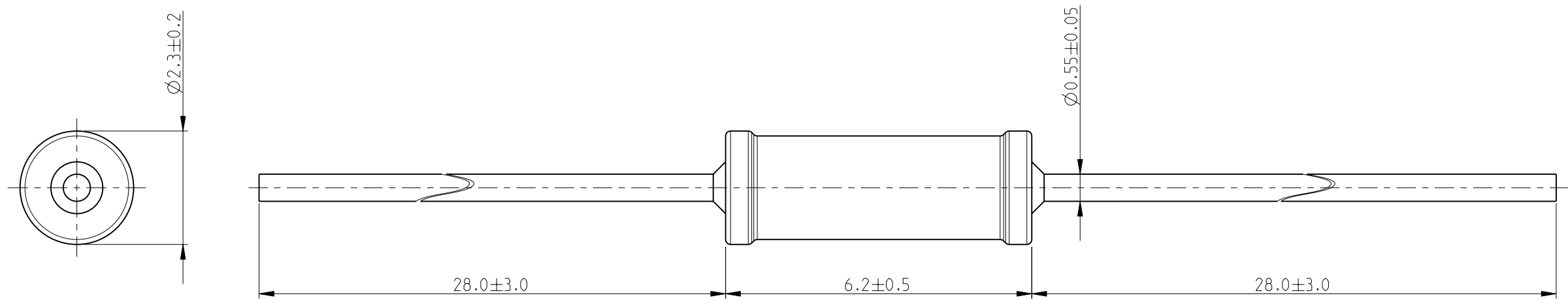
2

1

THIS DRAWING IS UNPUBLISHED. RELEASED FOR PUBLICATION 2010  
 © COPYRIGHT 2010 BY TYCO ELECTRONICS CORPORATION. ALL RIGHTS RESERVED.

| LOC | DIST | REVISIONS   |             |           |          |
|-----|------|-------------|-------------|-----------|----------|
| P   | LTR  | DESCRIPTION | DATE        | DWN       | APVD     |
| E   | B    | BA          | NEW RELEASE | 19-FEB-10 | MRS St.P |

FOR FURTHER INFORMATION SEE DATA SHEET FOR  
 SERIES LR, METAL FILM FIXED RESISTORS



RoHS Compliant

|   |  |  |  |
|---|--|--|--|
| <small>THIS DRAWING IS A CONTROLLED DOCUMENT FOR TYCO ELECTRONICS CORPORATION<br/>         IT IS SUBJECT TO CHANGE AND THE CONTROLLING ENGINEERING ORGANIZATION<br/>         SHOULD BE CONTACTED FOR THE LATEST REVISION.</small> |  | DWN MAHARUDRA 19-FEB-10<br>CHK ALLAN.P 19-FEB-10<br>APVD STEPHEN.P 19-FEB-10 | Tyco Electronics Corporation<br>Dorcan, Swindon, SN3 5HH |
| DIMENSIONS:<br>mm   | TOLERANCES UNLESS OTHERWISE SPECIFIED:<br>0 PLC ± 0.2<br>1 PLC ± 0.1<br>2 PLC ± -<br>3 PLC ± -<br>4 PLC ± -<br>ANGLES ± 5° | PRODUCT SPEC -<br>APPLICATION SPEC -<br>WEIGHT -                             | NAME METAL FILM FIXED RESISTORS<br>SERIES LR1            |
| MATERIAL -  | FINISH -   | SIZE A3<br>CAGE CODE 00779<br>DRAWING NO C-1622349                           | RESTRICTED TO -  |
| CUSTOMER DRAWING  |  | SCALE 10:1   | SHEET 1 OF 1 REV BA                                      |