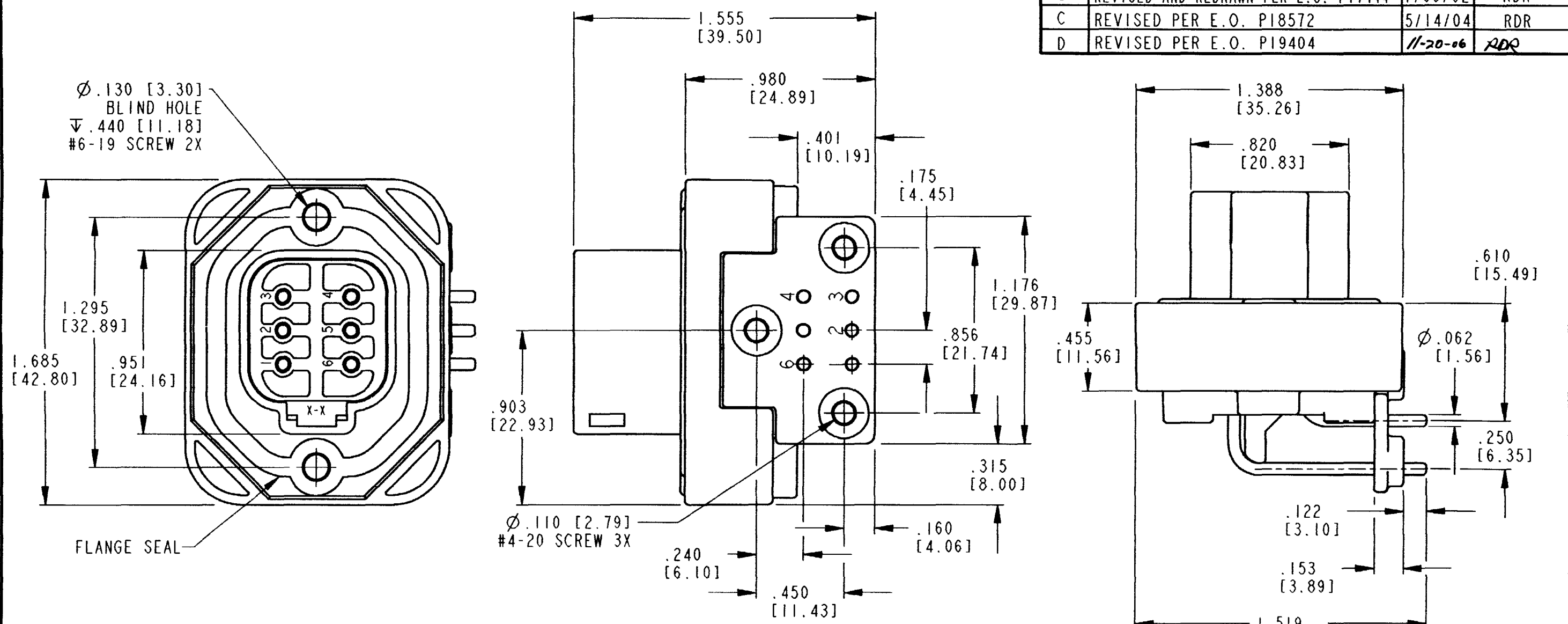


REV
D DT13-6P

REVISIONS			
SYM	DESCRIPTION	DATE	APPROVED
A	REVISED PER E.O. P15470	11/20/97	RDR
B	REVISED AND REDRAWN PER E.O. P17444	1/09/02	RDR
C	REVISED PER E.O. P18572	5/14/04	RDR
D	REVISED PER E.O. P19404	11-20-06	RDR



6. MOUNTING SCREW TORQUE VALUES ARE AS FOLLOWS:
 #6-19 SCREWS: 13±2.0 IN-LB [1.47±0.23 N-M].
 #4-20 SCREWS: 8±2.0 IN-LB [0.90±0.23 N-M].
 VALUES VALID FOR PLASTITE 48 SCREWS ONLY.
5. RECOMMENDED MOUNTING SCREWS (NOT INCLUDED): CAMCAR PLASTITE 48.
4. THIS RECEPTACLE MATES WITH DT06-6S-**** PLUG (**** = ALL MODIFICATIONS.)
3. SHELL MATERIAL: PLASTIC; FLANGE MATERIAL: RUBBER.
2. DIMENSION TOLERANCE ±.025 [.64]. FOR PANEL CUTOUTS ±.010 [.25].

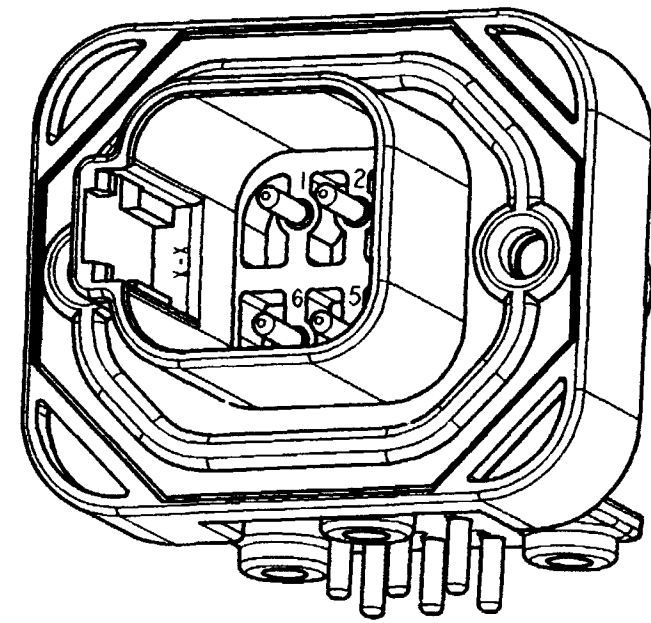
NOTES: 1. DIMENSIONS SHOWN IN INCHES [mm].

SIGNATURE & DATE	
DR	P. BURKE 01/04/02
CHK	[Signature] 11/20/06
PE	[Signature] 11/15/06
APPD	[Signature] 11-20-06
SCALE	NONE WT

PCB MOUNT RECEPTACLE
6 PIN - 90°
DT SERIES
COLOR: GRAY

ENVELOPE

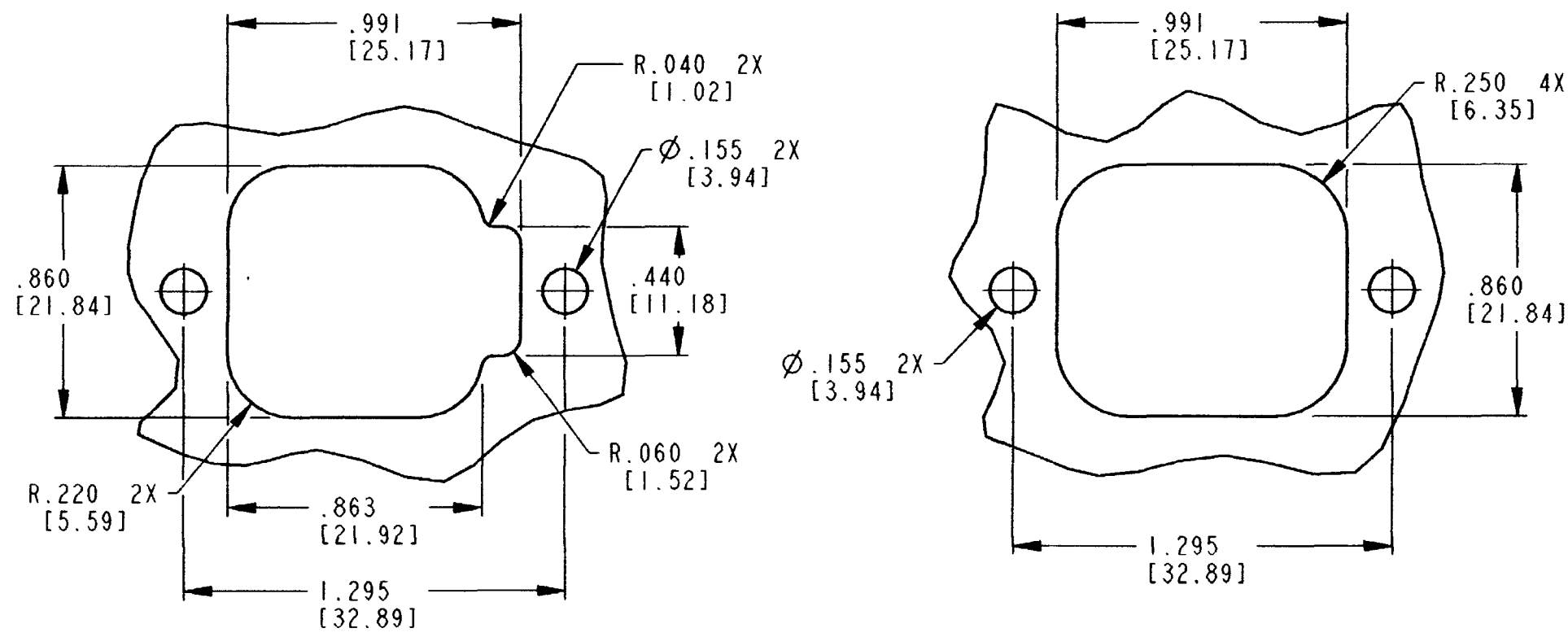
EP	MATL. CODE
The Deutch Company	DEUTSCH I.P.D. 3850 INDUSTRIAL AVE. HEMET, CALIF. 92545
B	DT13-6P
DWG SIZE	CODE 11139 SHEET 1 OF 2



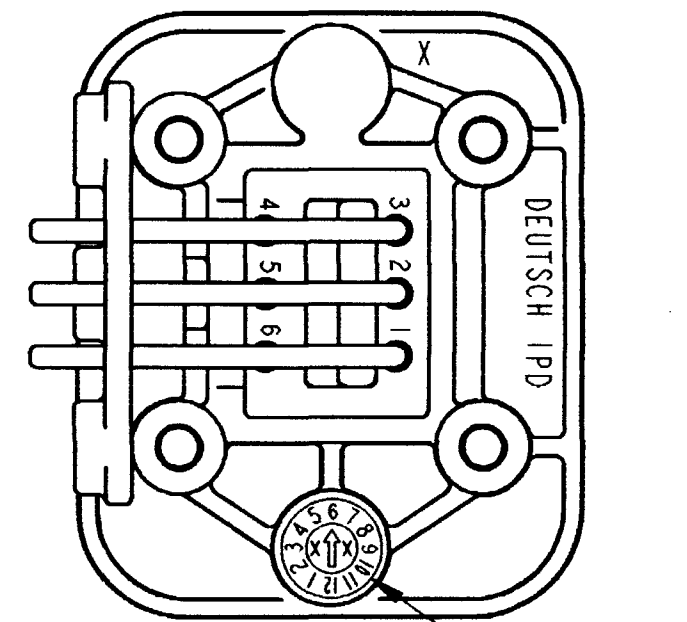
3D VIEW

REV
D DT13-6P

REVISIONS			
SYM	DESCRIPTION	DATE	APPROVED
D	SEE SHEET ONE	11-20-06	RDR



RECOMMENDED PANEL CUTOUTS



DATE CODE

NOTES:

SIGNATURE & DATE	
DR	P. BURKE 1/04/02
CHK	<i>[Signature]</i> 11/17/05
PE	<i>[Signature]</i> 11-2-06
APPD	<i>[Signature]</i> 11-7-06
SCALE	NONE
WT	

PCB MOUNT RECEPTACLE
6 PIN - 90°
DT SERIES
COLOR: GRAY

ENVELOPE

MATERIAL CODE	
EP	The Deutch Company DEUTSCH I.P.D. 3850 INDUSTRIAL AVE. HEMET, CALIF. 92545
B	DT13-6P
DWG SIZE	CODE 11139 SHEET 2 OF 2