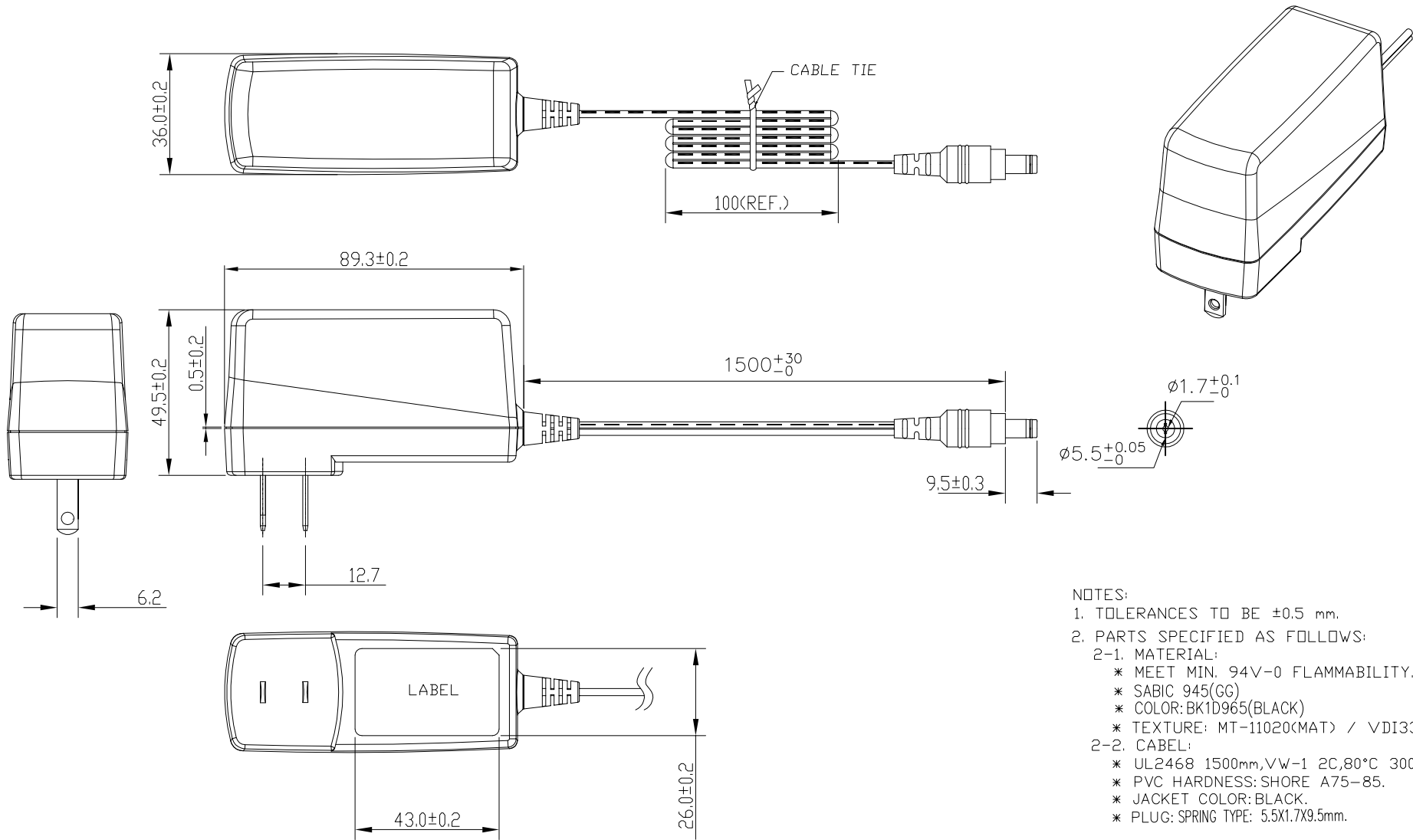


1 2 3 4 5 6 7 8

A
B
C
D
E
F



- NOTES:
1. TOLERANCES TO BE ±0.5 mm.
 2. PARTS SPECIFIED AS FOLLOWS:
 - 2-1. MATERIAL:
 - * MEET MIN. 94V-0 FLAMMABILITY.
 - * SABIC 945(GG)
 - * COLOR: BK1D965(BLACK)
 - * TEXTURE: MT-11020(MAT) / VDI33
 - 2-2. CABEL:
 - * UL2468 1500mm,VW-1 2C,80°C 300V
 - * PVC HARDNESS: SHORE A75-85.
 - * JACKET COLOR: BLACK.
 - * PLUG: SPRING TYPE: 5.5X1.7X9.5mm.

A		RELEASED	2013.02.27		SHEET		2D FILE	-----	DESIGNER	Oliver Lu					TITLE: OUTLINE	PART NO.: -----	
REVISION		DESCRIPTION	DATE	CHECKER	UNIT: mm	SCALE: 1:1	3D FILE	-----	APPROVER						PROJECT: PB-1120-8SA1	DRAWING NO.: 0-001415	REV.: A