

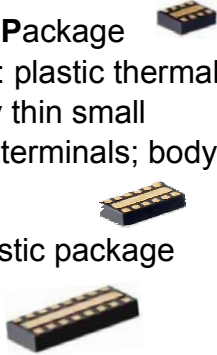
At a glance

IP425xCZ8-4/CZ12-6/CZ16-8

Nov. 2008

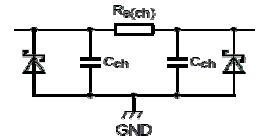
Package

- ▶ **Ultra Thin Leadless Package** (UTLP) - HXSON12: plastic thermal enhanced extremely thin small outline package; 12 terminals; body 1.35 x 2.5 x 0.5 mm
- ▶ QFN compatible plastic package with 0.4 mm pitch



Key features

- ▶ IP425xCZ8/CZ12/CZ16: 40; 100; 200 Ω channel series resistance, 30 pF (at 2.5 V DC) channel capacitance network
- ▶ 4-, 6- and 8-channel integrated p-type RC filter



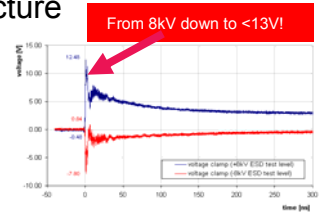
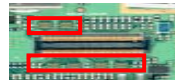
Applications

General purpose Electro Magnetic Interference (EMI) & Radio-Frequency Interference (RFI) filtering & downstream ESD protection for:

- ▶ Cellular & Personal Communication System (PCS) mobile handsets, PDAs
- ▶ Wireless data (WAN/LAN) systems,
- ▶ Cordless telephones

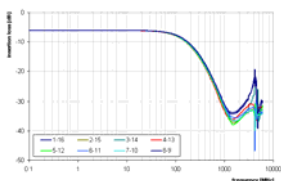
Advantages

- ▶ 4-, 6- and 8- channel product for maximum flexibility
- ▶ Very low clamping voltage due to pi-filter structure
- ▶ Easy routing



Technical details

- ▶ Over 30dB attenuation between 800MHz and 2GHz



- ▶ Up to 30kV ESD protection according IEC61000-4-2

Additional resources

Check datasheet:

http://www.nxp.com/pip/IP4253_54_CZ8_CZ12_CZ16_2.html

Order at sample store:

www.nxp.com



Any questions about the new product? Please contact:

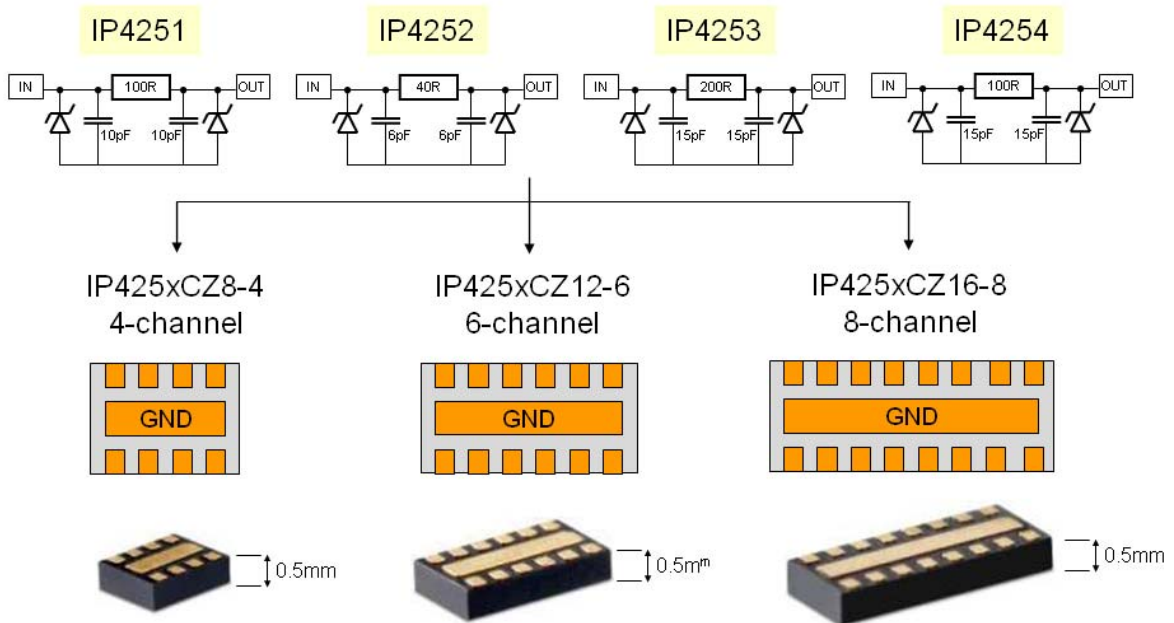
Cuong.Vuong@nxp.com

IP425x Family

... IP425xCZ8-4/CZ12-6/CZ16-8

Product	Package Suffix		No. of Channels	Resistance (typ.)	Capacitance (typ.) @ 2.5V	Capacitance (typ.) @ 0V	Width (mm)	Length (mm)	Height (mm)
IP4251	CZ8-4	8-pin	4	100 Ω	10 pF	15 pF	1.4	1.75	0.50
	CZ12-6	12-pin	6				1.4	2.55	0.50
	CZ16-8	16-pin	8				1.4	3.35	0.50
IP4252	CZ8-4	8-pin	4	40 Ω	12 pF	18 pF	1.4	1.75	0.50
	CZ12-6	12-pin	6				1.4	2.55	0.50
	CZ16-8	16-pin	8				1.4	3.35	0.50
IP4253	CZ8-4	8-pin	4	200 Ω	30 pF	45 pF	1.4	1.75	0.50
	CZ12-6	12-pin	6				1.4	2.55	0.50
	CZ16-8	16-pin	8				1.4	3.35	0.50
IP4254	CZ8-4	8-pin	4	100 Ω	30 pF	45 pF	1.4	1.75	0.50
	CZ12-6	12-pin	6				1.4	2.55	0.50
	CZ16-8	16-pin	8				1.4	3.35	0.50

... 4-, 6- and 8-channel EMI filters



Any questions about the new product? Please contact:

Cuong.Vuong@nxp.com