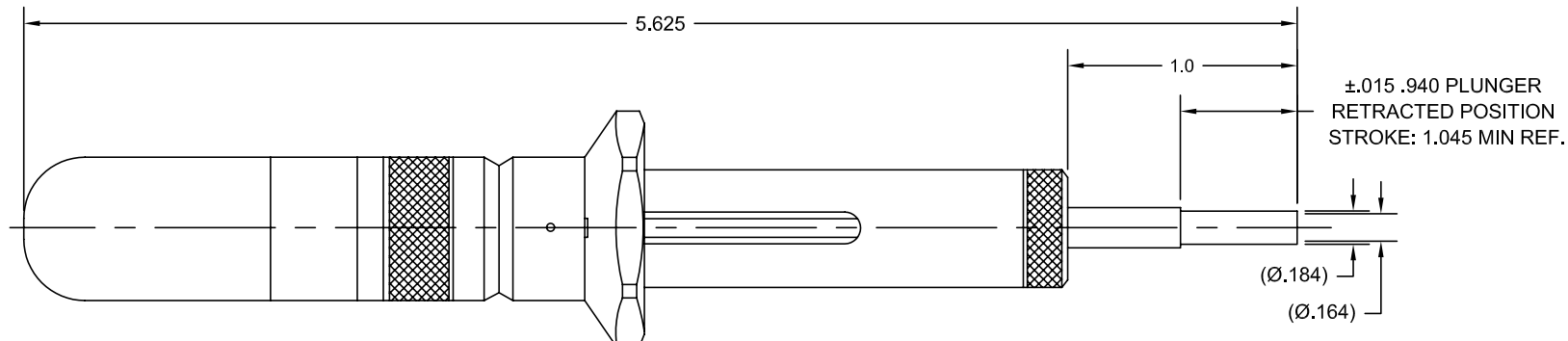


REVISIONS			
LTR	DESCRIPTION	DATE	APPROVED
B	P/N WAS 992003 ECR 101297	01/12/83	GMR
C	REVISED PER DCR R090669	07/27/09	A. BUI



If this document is printed it becomes uncontrolled. Check for the latest revision

NOTES:

1. THIS TOOL IS USED FOR REMOVING ELECTRICAL CONTACTS FROM CONNECTOR BLOCKS. REFERENCE (MS24256R12)

CUSTOMER DRAWING

©2009 Tyco Electronics Corporation.
All rights reserved.

UNLESS OTHERWISE SPECIFIED
DIMENSIONS ARE IN INCHES.
[METRIC DIMENSIONS ARE
IN BRACKETS.]

DECIMALS

.X ± .030

.XX ± .010

.XXX ± .005

ANGLES

.X ± 1°

TYCO ELECTRONICS RESERVES THE RIGHT TO AMEND THIS DRAWING AT ANY TIME. USERS SHOULD EVALUATE THE SUITABILITY OF THE PRODUCT FOR THEIR APPLICATION.

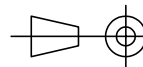
REDRAWN A. BUI	DATE 27JUL09
CHECKED	DATE -
APPROVED I. MYONG	DATE 27JUL09
RPN 476196-000	
CAD NAME AD-1524-5	



Raychem
Application Equipment
300 Constitution Drive
Menlo Park, CA 94025 U.S.A

TITLE
AD-1524
CONTACT REMOVAL TOOL
FOR #12 SOLDER TACT

THIRD ANGLE
PROJECTION



SIZE A	CODE IDENT. NO. 06090	DWG. NO. AD-1524-5	REV C
-----------	--------------------------	-----------------------	----------

DO NOT SCALE THIS DWG

SHEET 1 OF 1