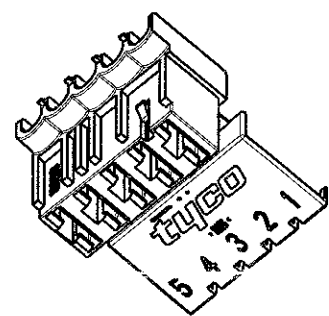
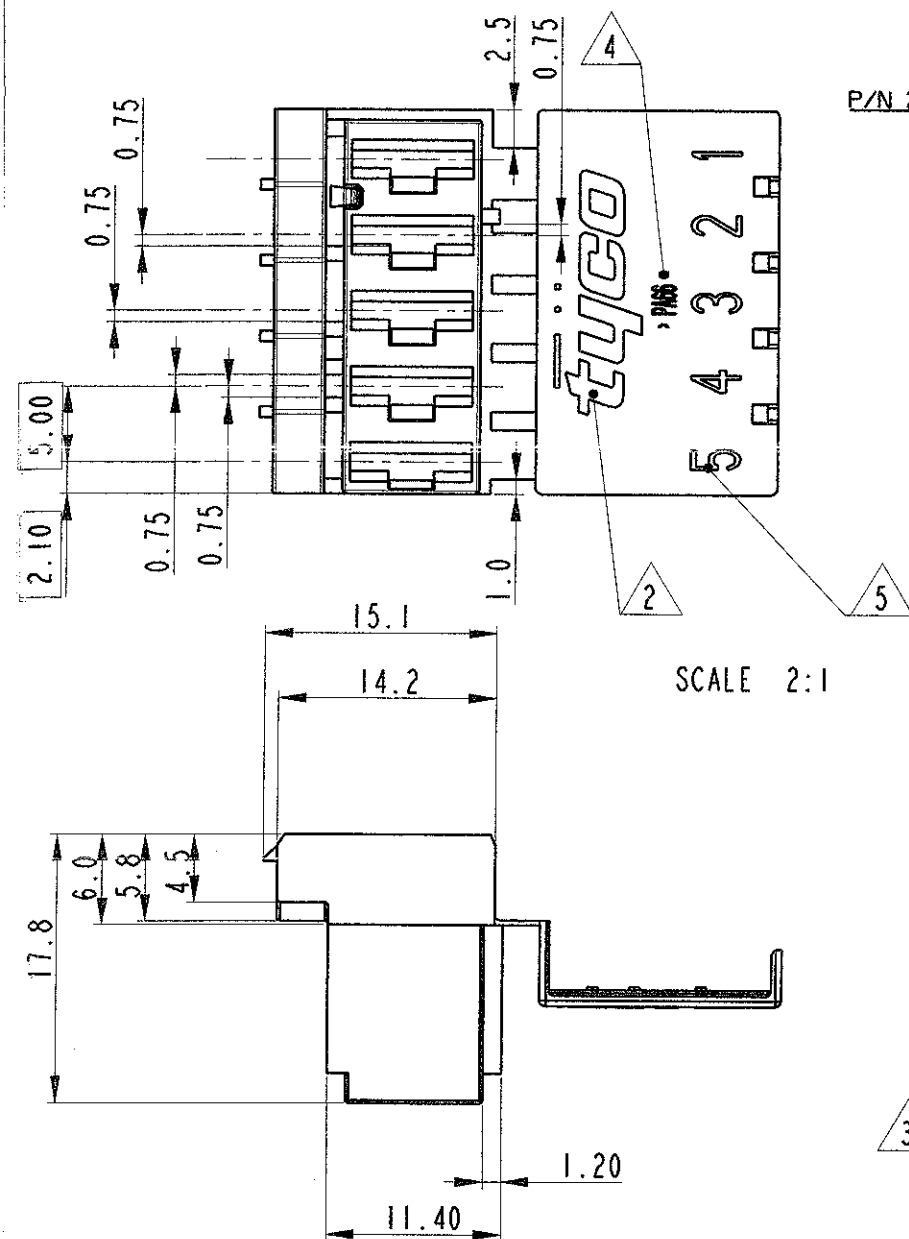
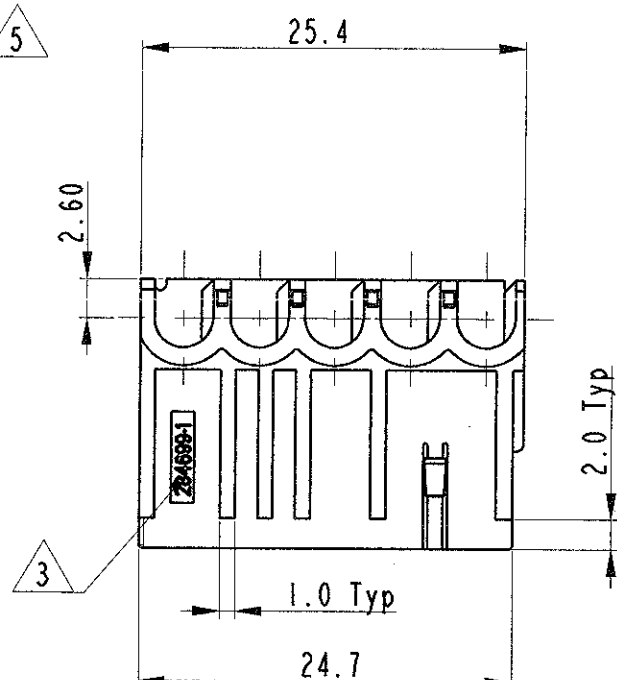


| P | LTR | DESCRIPTION | DATE | DWN | APVD |
|---|-----|--|------------|------|------|
| 0 | | FIRST ISSUE | 06MAR2001 | C.C. | D.M. |
| A | | FIRST ISSUE NOT YET RELEASED FOR PRODUCTION FOR ET00-0114-01 | 03MAY2001 | D.M. | G.T. |
| B | | UPDATING TO PRODUCT DWG. FOR ET00-0225-01 | 14FEB2002 | C.C. | G.T. |
| C | | REVISED FOR ET00-0039-02 | 08MAR2002 | C.C. | G.T. |
| D | | RELEASE FOR PRODUCTION ET00-0167-03 | 23SEPT2003 | A.Y. | |

P/N 284699-1 AS SHOWN IN NATURAL WHITE COLOR



SCALE 1:1



| DETAIL FOR POLARIZATION | DETAIL FOR POLARIZATION | DETAIL FOR POLARIZATION |
|-------------------------|-------------------------|-------------------------|
| PN 284699-2 AS SHOWN | PN 284699-3 AS SHOWN | PN 284699-4 AS SHOWN |
| Colour: GREEN RAL 6029 | Colour: YELLOW RAL 1016 | COLOUR: RED RAL 3000 |
| | | |

NOTE:

- PROPRIETA' DELLA MATERIA PLASTICA: (PLASTICAL MATERIAL PROPERTIES:)
GLOW WIRE INDEX IEC695-2-1 850 AT 1.6 mm
- CONNETTORE ADATTO PER TERMINALI TIPO FASTIN-ON .250 SERIES FLAG RECEPTACLE, LOW PROFILE DIS. 284697
CONNECTOR FOR TYCO AMP CONTACT TYPE .250 SERIES FLAG FASTIN-ON REC. LOW PROFILE P/N 284697
- MARCHIO TYCO (MANUFACTURING LOCATION CODE)
- CODICE IDENTIFICAZIONE PRODOTTO (PART NUMBER)
- CODICE IDENTIFICAZIONE MATERIA PRIMA (MATERIAL ID. CODE)
- NUMERO DI VIE PER INSERZIONE CONTATTO POSIZIONATI COME INDICATO (WAY ID. NUMBER AS SHOWN)

| | |
|-----------------|----------------------|
| NATURAL | NYLON - PA66 |
| COLOUR (COLORE) | MATERIAL (MATERIALE) |

| | | | | | |
|---|--|---|--|---|--|
| <small>THIS DRAWING IS A CONTROLLED DOCUMENT FOR TYCO ELECTRONICS CORPORATION IT IS SUBJECT TO CHANGE AND THE CONTROLLING ENGINEERING ORGANIZATION SHOULD BE CONTACTED FOR THE LATEST REVISION.</small> | | DWN C.CORDOLA 06MAR2001 CHK D.MOTTA 06MAR2001 APVD G.TURCO 06MAR2001 | | Tyco Electronics AMP Italia S.p.a. 10093 Collegno (TO) | |
| DIMENSIONS: | | TOLERANCES UNLESS OTHERWISE SPECIFIED: | | NAME 5 POS. LOW PROFILE HSG. RAST 5 FOR FLAG REC. CONTACTS | |
| | | 0 PLC ±0.5 1 PLC ±0.2 2 PLC ±0.1 3 PLC ±0.05 4 PLC ± ANGLES ±1 | | PRODUCT SPEC APPLICATION SPEC | |
| MATERIAL See table (vedere tabella) | | FINISH | | WEIGHT A3 00779 C-284699 | |
| | | SCALE 2:1 | | SHEET 1 OF 1 REV D | |