

Qty Per:	TRAY	CARTON		
	12	72		
PART NUMBER	STATEMENT			
SFP0-3030-L	INNER/OUTER LIGHT PIPES			
No.	DESCRIPTION	Q'ty	MATERIAL	PLATING
01	SFP CAGE (Non-Logo)	1	COPPER ALLOY	
02	CONNECTOR	2	HIGH TEMP/COPPER ALLOY	GOLD
03	LIGHT PIPES	2	POLYCARBONITE	

DETACHED LISTS	MM (INCH)	RoHS Compliant			
	TOLERANCES EXCEPT AS NOTED				
	MM .0 ± 0.25 ± .00 ± 0.2 ± .000 ± 0.10 ±				
	ANGLES ± 0.5				
	THIRD ANGLE PROJECTION	TITLE SFP 2 BY 2 CAGE+CONNECTOR_P	W/LIGHT PIPES		
		DFTD Jack	DRAWING NO. CSFP0-3030-L	SIZE A3	REV 2
		DATE 6/09/10'	/PART NO. SFP0-3030-L		
		SCALE : 2:1	DO NOT SCALE DRAWING	SHEET 1	OF 4

8

7

6

5

4

3

2

1

H

G

F

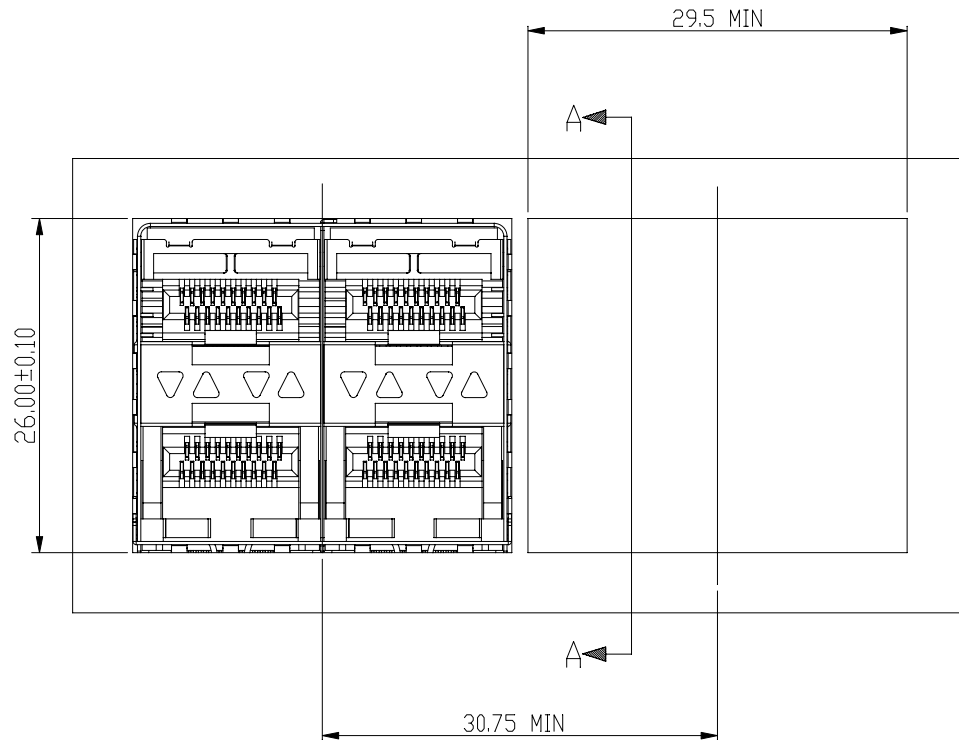
E

D

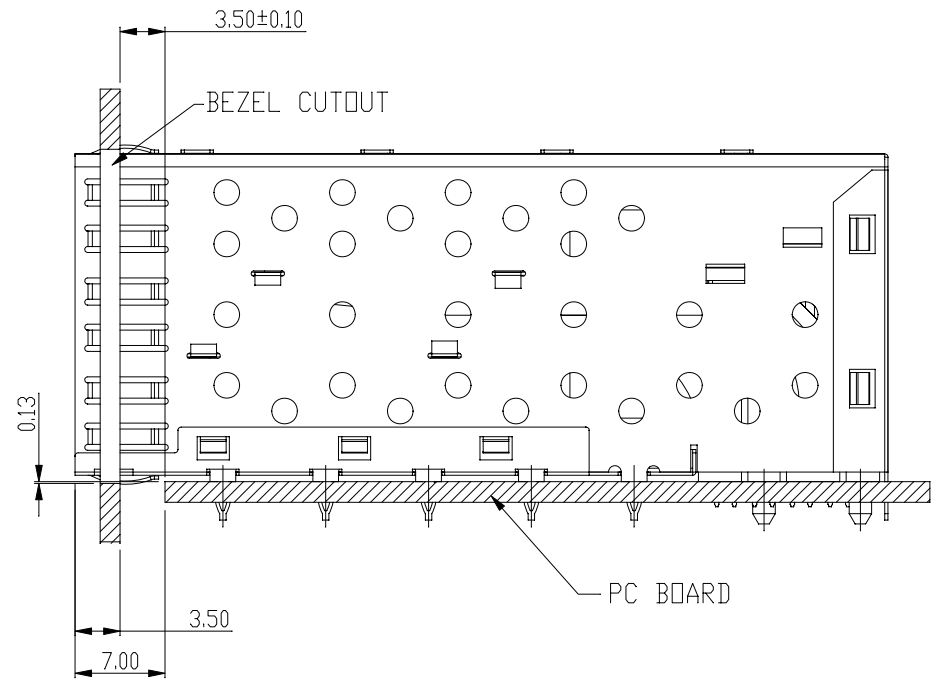
C

B

A



BEZEL CUT-OUT CENTER SPACING DETAIL
BEZEL THICKNESS:0.8-2.6



SECTION A-A

DETACHED LISTS	← MM (INCH) →	RoHS Compliant		
	TOLERANCES EXCEPT AS NOTED			
	MM	±	TITLE SFP 2 BY 2 CAGE+CONNECTOR_P W/LIGHT PIPES	
	.0 ± 0.25	±		
.00 ± 0.2	±	DFTD Jack DATE 6/09/10'		
.000 ± 0.10	±			DRAWING NO. CSFP0-3030-L /PART NO. SFP0-3030-L
ANGLES ± 0.5		SCALE : 2:1		
				DO NOT SCALE DRAWING
THIRD ANGLE PROJECTION		SHEET 2 OF 4		
		SIZE A3		REV 2

8

7

6

5

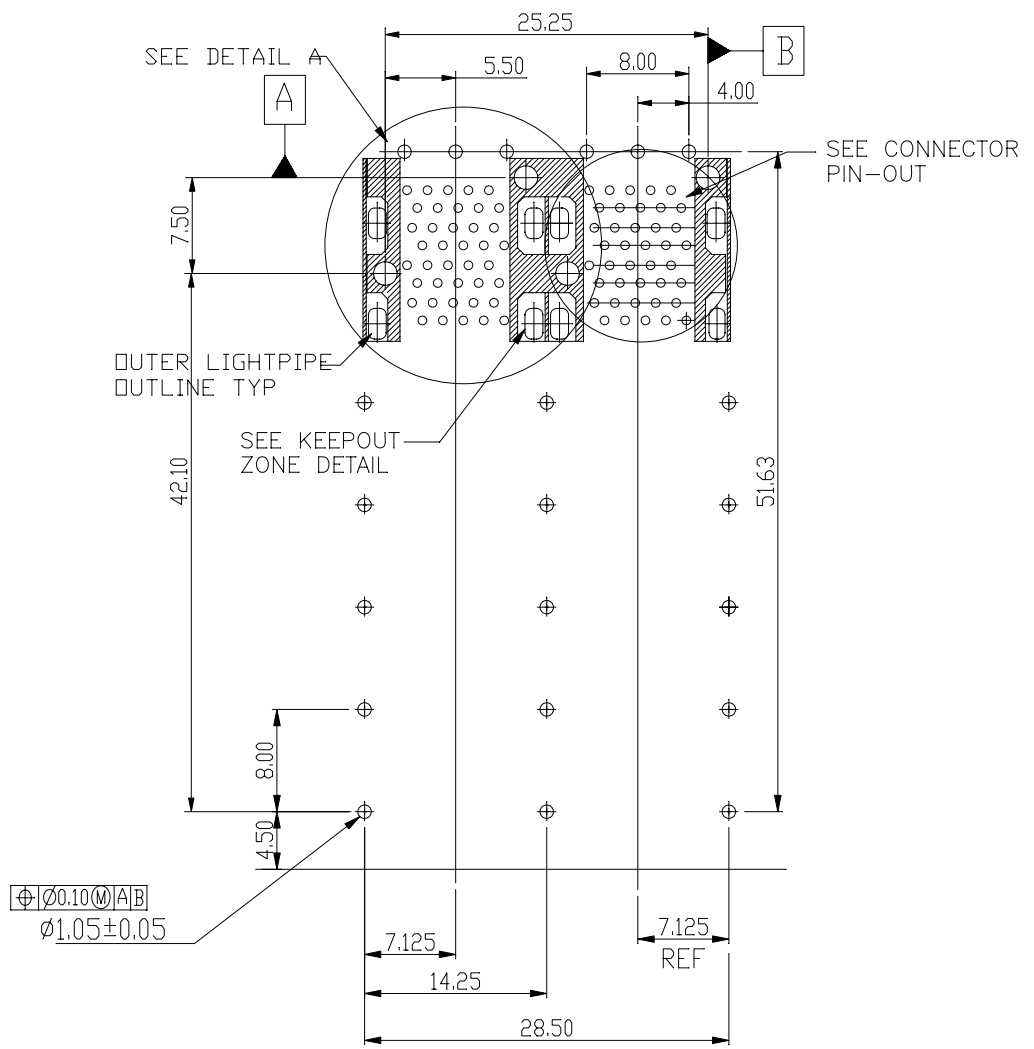
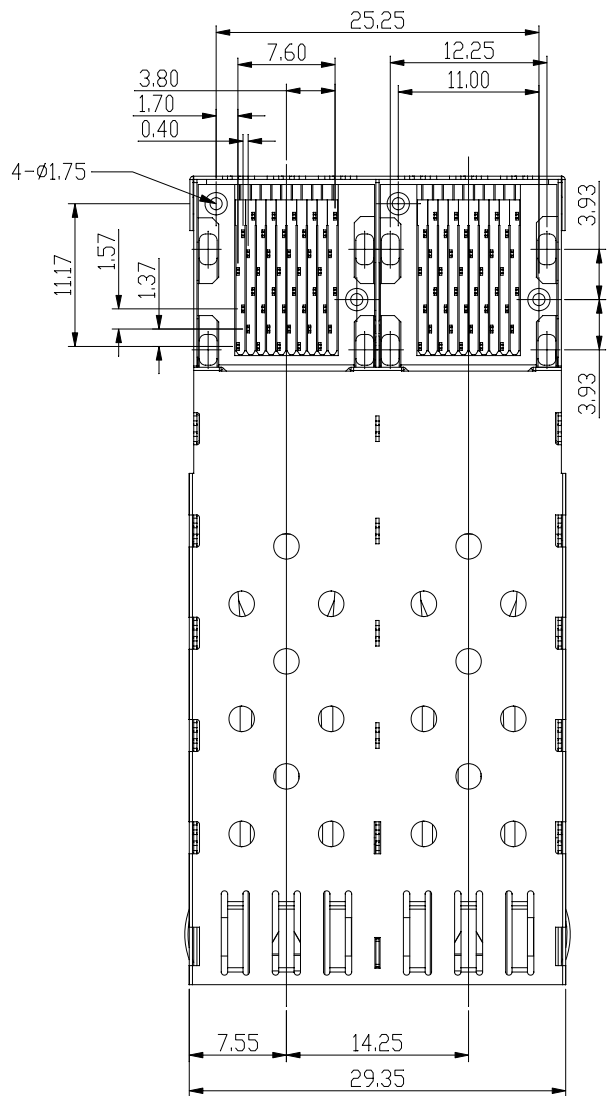
4

3

2

1

H
G
F
E
D
C
B
A



8

7

6

5

4

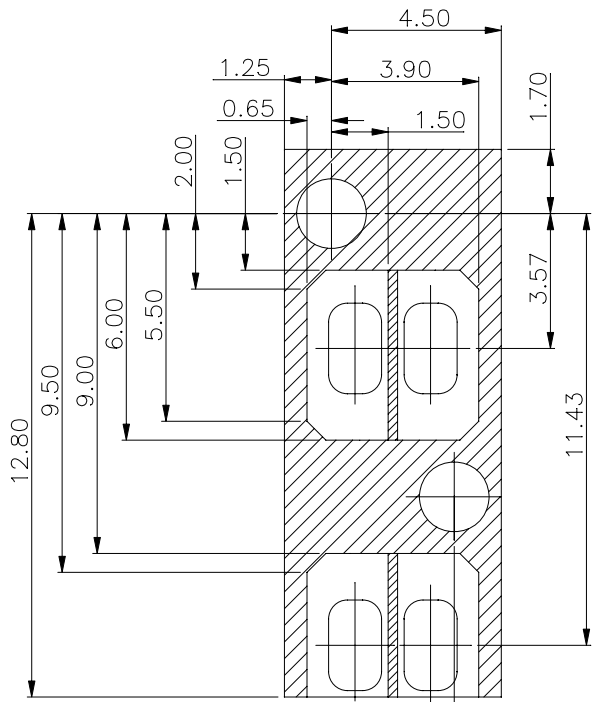
3

2

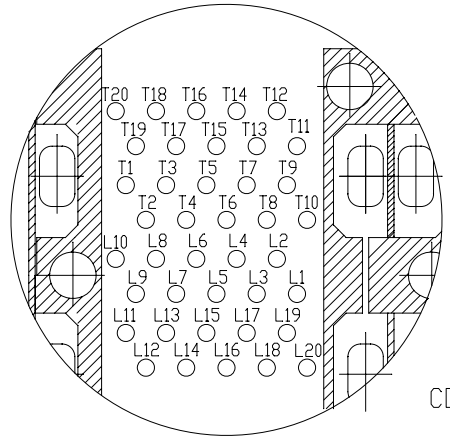
1

← MM (INCH) → TOLERANCES EXCEPT AS NOTED		RoHS Compliant			
DETACHED LISTS	MM .0 ± 0.25 ± .00 ± 0.2 ± .000 ± 0.10 ±	ANGLES ± 0.5	TITLE SFP 2 BY 2 CAGE+CONNECTOR_P		
	THIRD ANGLE PROJECTION		DFTO Jack DATE 6/09/10'	DRAWING NO. CSFP0-3030-L /PART NO. SFPO-3030-L	SIZE A3
	SCALE : 2:1		DO NOT SCALE DRAWING	SHEET 3 OF 4	REV 2

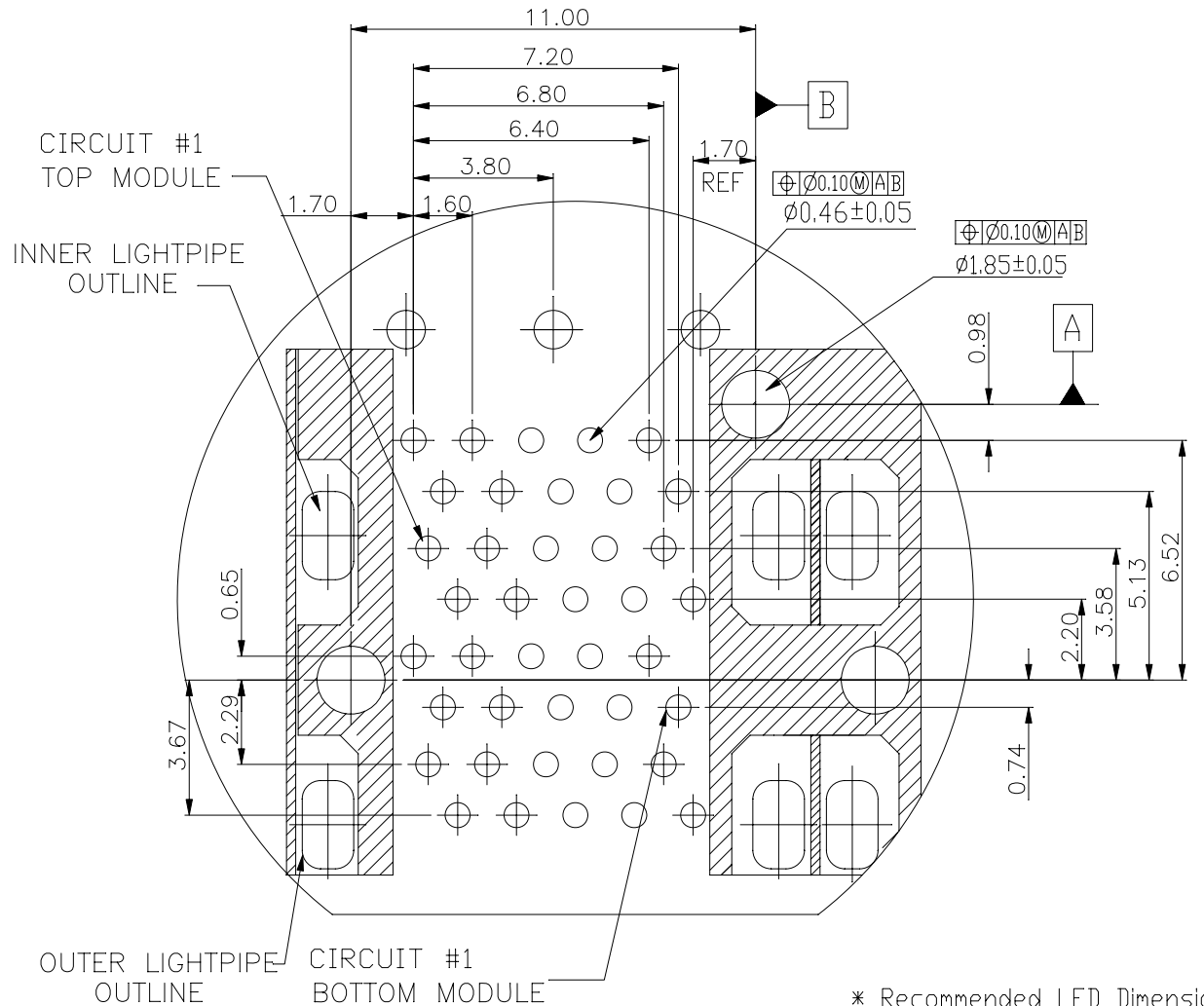
H
G
F
E
D
C
B
A



KEEPOUT ZONE DETAIL
SCALE 6:1



CONNECTOR PIN-OUT
COMPONENT SIDE OF BOARD



DETAIL A
SCALE 6:1

- * Recommended LED Dimensions
- Dimensions (WxLxH):
- 0.5x1.0x0.5 mm
- 0.8x1.6x0.5 mm
- 1.25x2.0x0.8 mm
- 1.25x1.6x0.65 mm

DETACHED LISTS TOLERANCES EXCEPT AS NOTED MM .0 ± 0.25 ± .00 ± 0.2 ± .000 ± 0.10 ± ANGLES ± 0.5 THIRD ANGLE PROJECTION	RoHS Compliant			
	TITLE SFP 2 BY 2 CAGE+CONNECTOR_P		W/LIGHT PIPES	
	DFTD Jack DATE 6/09/10'	DRAWING NO. CSFP0-3030-L /PART NO. SFP0-3030-L	SIZE A3	REV 2
	SCALE : 2:1		DO NOT SCALE DRAWING	SHEET 4 OF 4