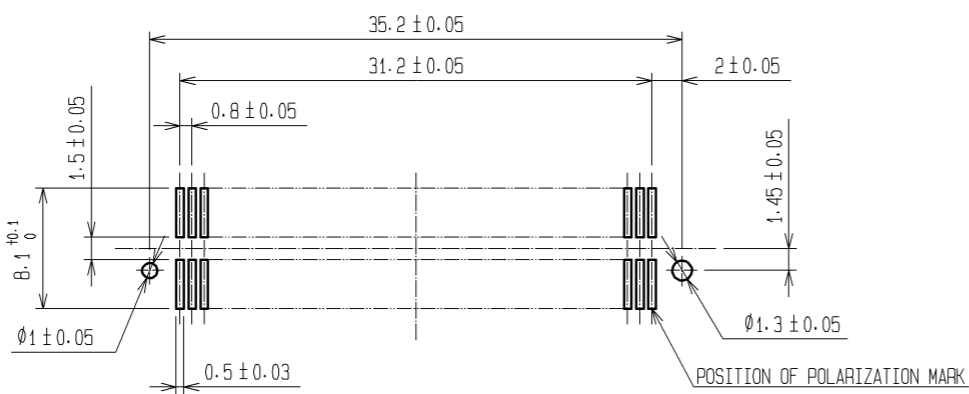


- NOTE
- 1 HRS MARK SHALL BE OPTIONAL.
 - 2 LEAD CO-PLANARITY SHALL BE 0.1mm MAX.
 - 3 EMBOSSED CARRIER TAPE PACKAGING SHALL BE APPLIED FOR THIS PRODUCT. SEE NEXT PAGE FOR DETAILS.
 - 4 THIS PRODUCT HAS TAPE FOR VACUUM PICKUP. SEE NEXT PAGE FOR DETAIL OF STICKING POSITION, ETC.
 - 5 FOR MODIFICATION, ETC. PREVENTIVE HOLE FOR SINK MARK MAY BE ADDED ACCORDING TO CIRCUMSTANCES.
 - 6 THE DIMENSIONS IN PARENTHESES ARE FOR REFERENCE.

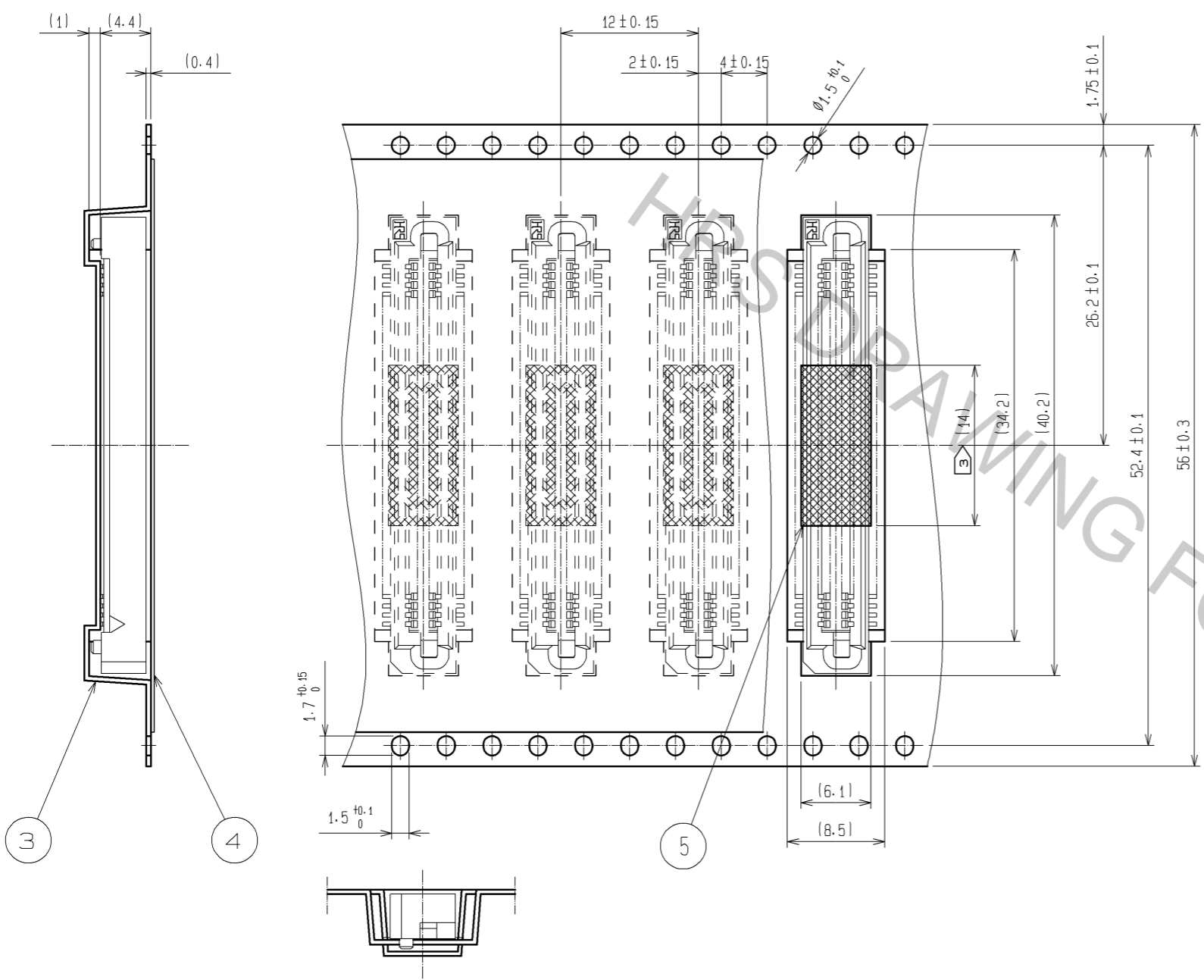
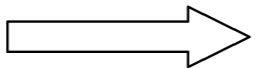
RECOMMENDED LAND PATTERN DIMENSION OF PCB (MOUNTING SIDE)



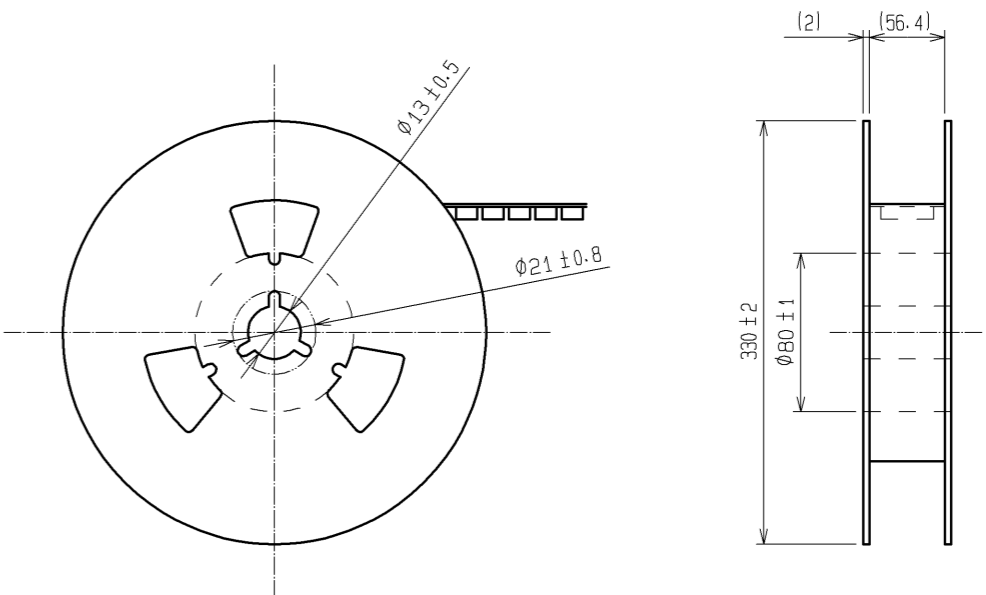
2	PHOSPHOR BRONZE	CONTACT AREA: GOLD 0.1µm min.						
		LEAD AREA: TIN-PLATING 1µm min.						
		UNDER PLATING: NICKEL 2µm min.						
1	PPS	LIGHT BROWN (UL94V-0)	5	POLYIMIDE	(TAPE FOR VUCUUM PICKUP)			
			4	POLYESTER	(COVER TAPE)			
			3	POLYSTYRENE	(EMBOSSED CARRIER TAPE)			
NO.	MATERIAL	FINISH . REMARKS	NO.	MATERIAL	FINISH . REMARKS			
UNITS mm		SCALE 2 : 1	COUNT △	DESCRIPTION OF REVISIONS		DESIGNED	CHECKED	DATE
APPROVED : HS. OKAWA 07. 11. 16			DRAWING NO.		EDC3-084983-23			
CHECED : HS. OZAWA 07. 11. 16			PART NO.		FX6-80S-0. 8SV(93)			
DESIGNED : SY. KAMIGA 07. 11. 16			CODE NO.		CL576-0107-4-93			
DRAWN : HK. SUNADORI 07. 11. 15								

DRAWING FOR PACKING (2:1)

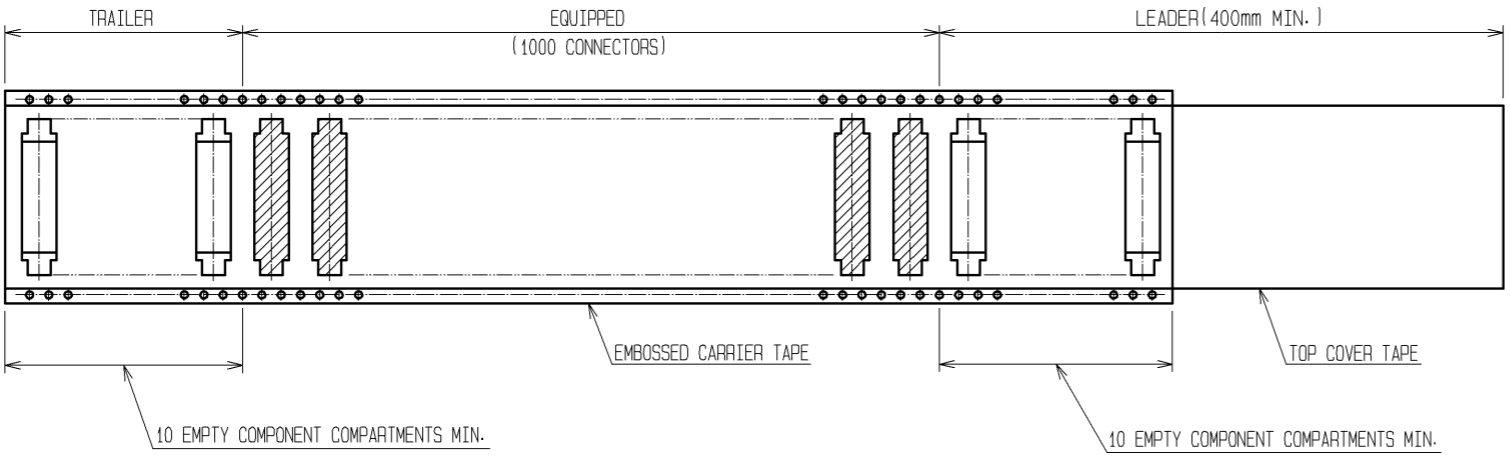
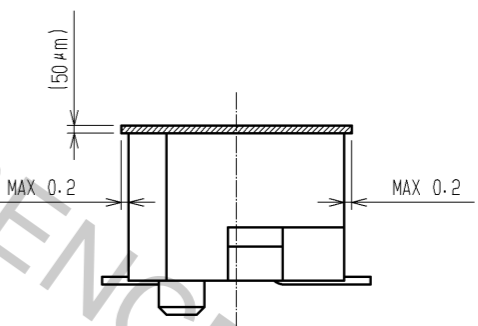
UNREELING DIRECTION



REEL DIMENSION (FREE)



DETAIL OF TAPE FOR VACUUM PICKUP (5:1)



NOTE 1 1 REEL : 1000 CONNECTORS.
 2 THE DIMENSIONS IN PARENTHESES ARE FOR REFERENCE.
 3 REMOVE THE VACUUM PICKUP TAPE AFTER MOUNTING THE CONNECTOR.

HRS	DRAWING NO.	EDC3-084983-23
	PART NO.	FX6-80S-0.8SV(93)
	CODE NO.	CL576-0107-4-93
		△ 2/2