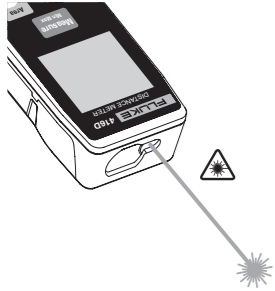


416D Laser Distance Meter Quick Reference Guide

Safety

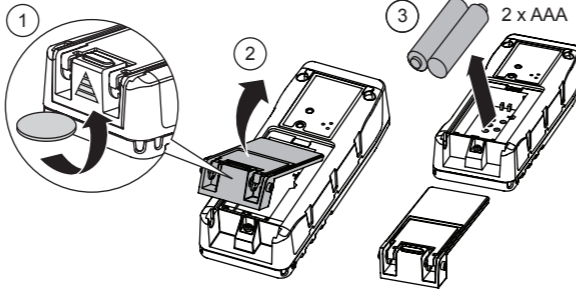


CAUTION
LASER RADIATION
 DO NOT STARE INTO BEAM
 CLASS II (2) LASER PRODUCT
 *
 OUTPUT: <1 mW
 WAVELENGTH: 620-690 nm
 COMPLIES WITH:
 FDA 21CFR 1040.10.11
 AND EN60825-1:07
 +
 2 AAA
 NEDA 24A
 IEC LR03
 CE
 FLUKE CORPORATION
 EVERETT, WA
 www.fluke.com

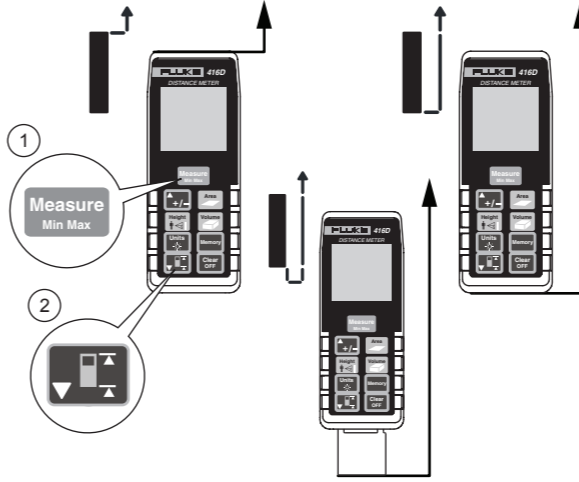
On/Off

Measure On
 Min Max
 Clear OFF Off (2 sec.)

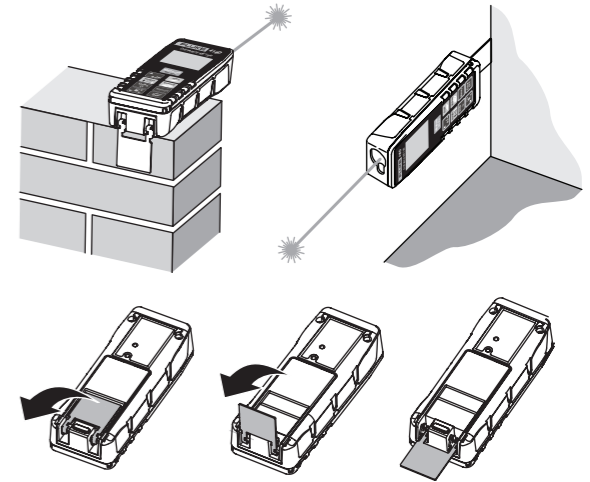
Batteries



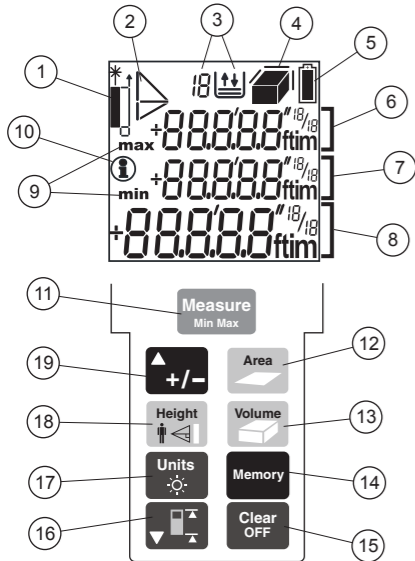
Reference Point



Stop Bracket



Display / Keypad



	English	Français	Deutsch	Español	Português	简体中文
①	Laser on / reference point	Laser en marche / point de référence	Laser an / Referenzpunkt	Láser encendido / punto de referencia	Laser ligado / ponto de referência	激光开启 / 参考点
②	Indirect measurement	Mesure indirecte	Indirekte Messung	Medición indirecta	Medição indirecta	间接测量
③	Memory	Mémoire	Memory	Memoria	Memória	存储
④	Area / volume	Aire / volume	Fläche / volumen	Superficie / volumen	Área / volume	面积 / 体积
⑤	Batteries	Piles	Batterien	Baterías	Baterias	电池
⑥	Secondary display line 2	Ligne d'affichage secondaire 2	Sekundäre Displaylinie 2	Línea de pantalla secundaria 2	Linha do monitor secundário 2	辅助显示行 2
⑦	Secondary display line 1	Ligne d'affichage secondaire 1	Sekundäre Displaylinie 1	Línea de pantalla secundaria 1	Linha do monitor secundário 1	辅助显示行 1
⑧	Summary	Résumé	Zusammenfassung	Resumen	Resumo	摘要
⑨	Min / max	Min / max	Min / max	Min / máx	Min / máx	最小值 / 最大值
⑩	Info	Infos	Info	Info	Informações	信息
⑪	Measure / Min Max	Mesurer / Min Max	Messen / Min Max	Medir / Min Máx	Medida / Min Máx	测量 / 最小 / 最大
⑫	Area	Aire	Fläche	Superficie	Área	面积
⑬	Volume	Volume	Volumen	Volumen	volume	体积
⑭	Memory	Mémoire	Memory	Memoria	Memória	存储
⑮	Clear / off	Effacer / arrêt	Löschen / Aus	Borrar / apagado	Limpar / desligar	清除 / 关
⑯	Reference	Reference	Referenz	Referencia	Referência	参考
⑰	Units / Illumination	Unités / illumination	Einheiten / Beleuchtung	Unidades / Iluminación	Unidades / Iluminação	单位 / 照明
⑱	Height	Hauteur	Höhe	Altura	Altura	高度
⑲	Plus [+] / Minus [-]	Plus [+] / moins [-]	Plus [+] / Minus [-]	Más [+] / Menos [-]	Mais [+] / Menos [-]	加 [+] / 减 [-]

Units

Units 1x (2 sec.) = in

Units 2x (2 sec.) = ft

Units 3x (2 sec.) = m

Units 4x (2 sec.) = ft/in

Memory

Memory 1x = History (1 - 10)

OR

+ Add

Measure 1x + + + =

- Subtract

Measure 1x + + + =

Distance

Measure 1x + Measure 1x =

Measure 1x + Measure 1x =

Height

Height 1x =

Height 2x =

Area

Area 1x =

1 + 2 =

Volume

Volume 1x =

1 + 2 + 3 =

Continuous / MIN-MAX Measurement

Measure 1x + Measure 1x (2 sec.) + Measure 1x =

MIN

max 1.738 m
min 1.618 m
min 1.720 m

MAX

max 2.679 m
min 2.008 m
max 2.679 m