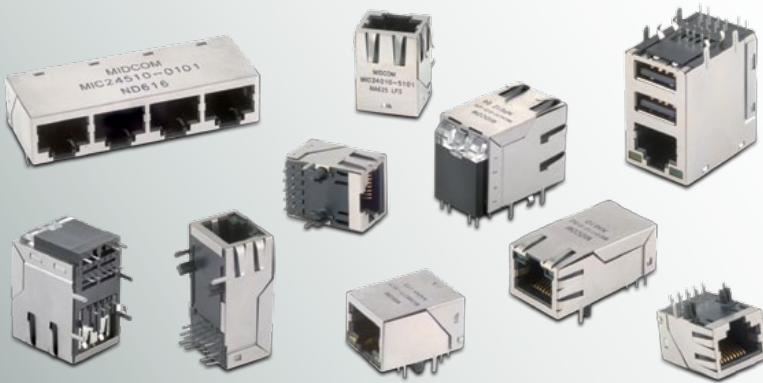


Integrated RJ45 LAN Quick Selector

Midcom

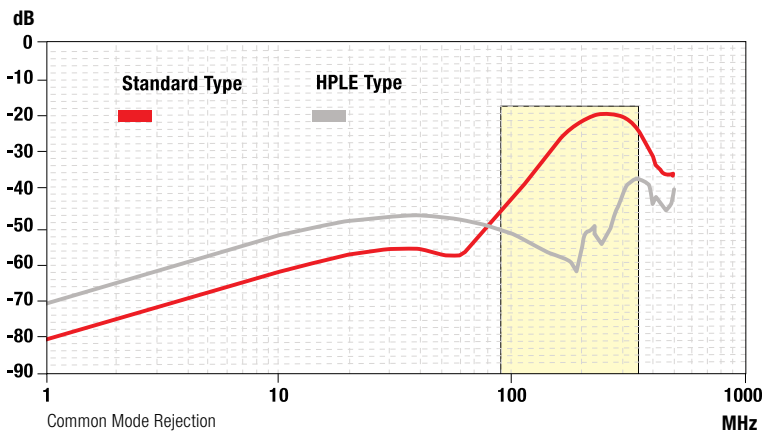


Why High Performance & Low EMI?

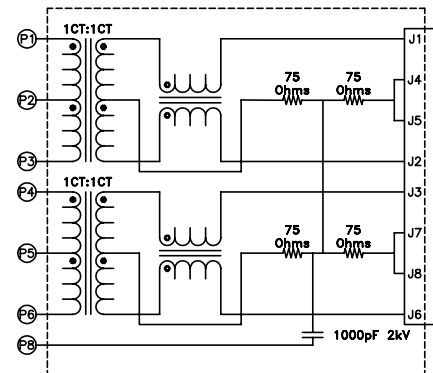
- High common mode rejection
→ min. 25dB @ frequency range 100 - 500MHz
- High performance data transmission through integrated common mode choke
- Low insertion loss
- Advanced noise suppression between 100 - 500MHz

Features

- 10/100 or Gigabit
- With or without LEDs
- Standard, PoE and PoE+ versions
- High Performance HPLE versions
- Meet IEEE 802.3 standards

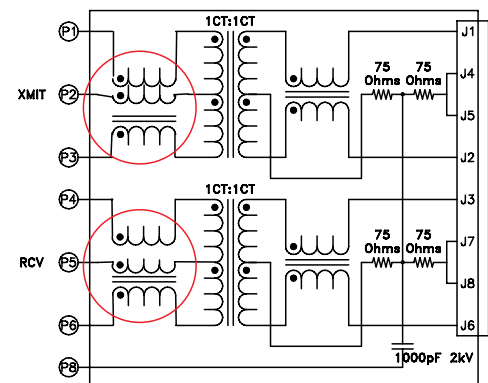


Schematic A



CMC on cable side and Bob Smith termination

Schematic B



CMC on PHY/Cable side and Bob Smith termination

○ Integrated common mode choke (CMC)

1x1 Integrated RJ45 LAN Offering - 0° to 70°C Operating Temperature

Standard Type	HPLC Type	Speed	Ports	LEDs	STD, PoE/+
7499011002	74990110013	10/100	1X1 TD	None	STD
7499011121	74990111215	10/100	1X1 TD	Y-G	STD
7499211002	7499211003	10/100	1X1 TD	None	PoE
7499211122	7499211123	10/100	1X1 TD	Y-G	PoE
7499411000	7499411001	10/100	1X1 TU	None	PoE+
7499411121	7499411122	10/100	1X1 TU	Y-G	PoE+
7499111007	7499111005	Gigabit	1X1 TU	None	STD
7499111613	7499111614	Gigabit	1X1 TU	G/O-Y	STD
7499311000	7499311001	Gigabit	1X1 TU	None	PoE
7499311610	7499311611	Gigabit	1X1 TU	G/O-Y	PoE
7499511000	7499511001	Gigabit	1X1 TU	None	PoE+
7499511610	7499511611	Gigabit	1X1 TU	G/O-Y	PoE+

Note: TD = Tab Down and TU = Tab Up
G/O = Green/Orange and Y = Yellow

■ same footprint
■ same footprint

Discrete LAN Quick Selector

Midcom



Features

- 10/100 or Gigabit
- Single, dual, quad ports
- Standard, PoE and PoE+ versions
- High Performance HPLE versions
- Meet IEEE 802.3 standards
- Standard and extended temperature range

Electrical Specifications

Inductance	350µH Min.	0.1V _{rms} , 100kHz, 8mA _{DC}
Dielectric Rating	1500V _{AC}	for 1 minute
Turns Ratio	1:1	± 2%
Insertion Loss	-1.0dB max.	1MHz - 100MHz
Return Loss	-18dB min.	1MHz - 30MHz
	-16dB min.	30MHz - 45MHz
	-14dB min.	45MHz - 60MHz
	-12dB min.	60MHz - 80MHz
Cross Talk	-35dB min.	1MHz - 100MHz
Common Mode Rejection	-35dB min.	1MHz - 100MHz

IEEE 802.3 standard

Discrete LAN

Order Code	Speed	Ports	Schematic	Temp Range	Application
749010013	10/100	Discrete Single	standard	ETR	STD
749013011	10/100	Discrete Single	standard	ETR	PoE
749012011	10/100	Discrete Single	standard	STR	PoE+
749020013	10/100	Discrete Dual	high performance	ETR	STD
749023010	10/100	Discrete Dual	standard	STR	PoE
749023015	10/100	Discrete Dual	high performance	STR	PoE
749023016	10/100	Discrete Dual	high performance	STR	PoE
749022013	10/100	Discrete Dual	standard	STR	PoE+
749022014	10/100	Discrete Dual	high performance	STR	PoE+
749010044	10/100	Discrete Quad	standard	STR	STD
749023021	10/100	Discrete Quad	standard	STR	PoE
749023022	10/100	Discrete Quad	high performance	ETR	PoE
749023023	10/100	Discrete Quad	high performance	STR	PoE
749022021	10/100	Discrete Quad	standard	ETR	PoE+
749022022	10/100	Discrete Quad	high performance	STR	PoE+
749020013	Gigabit	Discrete Single	high performance	ETR	STD
749023010	Gigabit	Discrete Single	standard	STR	PoE
749023015	Gigabit	Discrete Single	high performance	STR	PoE
749023016	Gigabit	Discrete Single	high performance	STR	PoE
749022013	Gigabit	Discrete Single	standard	STR	PoE+
749022014	Gigabit	Discrete Single	high performance	STR	PoE+
749020020	Gigabit	Discrete Dual	standard	STR	STD
749020021	Gigabit	Discrete Dual	high performance	ETR	STD
749023021	Gigabit	Discrete Dual	standard	STR	PoE
749023022	Gigabit	Discrete Dual	high performance	ETR	PoE
749023023	Gigabit	Discrete Dual	high performance	STR	PoE
749022021	Gigabit	Discrete Dual	standard	ETR	PoE+
749022022	Gigabit	Discrete Dual	high performance	STR	PoE+

Note: STR=Standard Temperature Range
ETR=Extended Temperature Range

same footprint
same footprint

