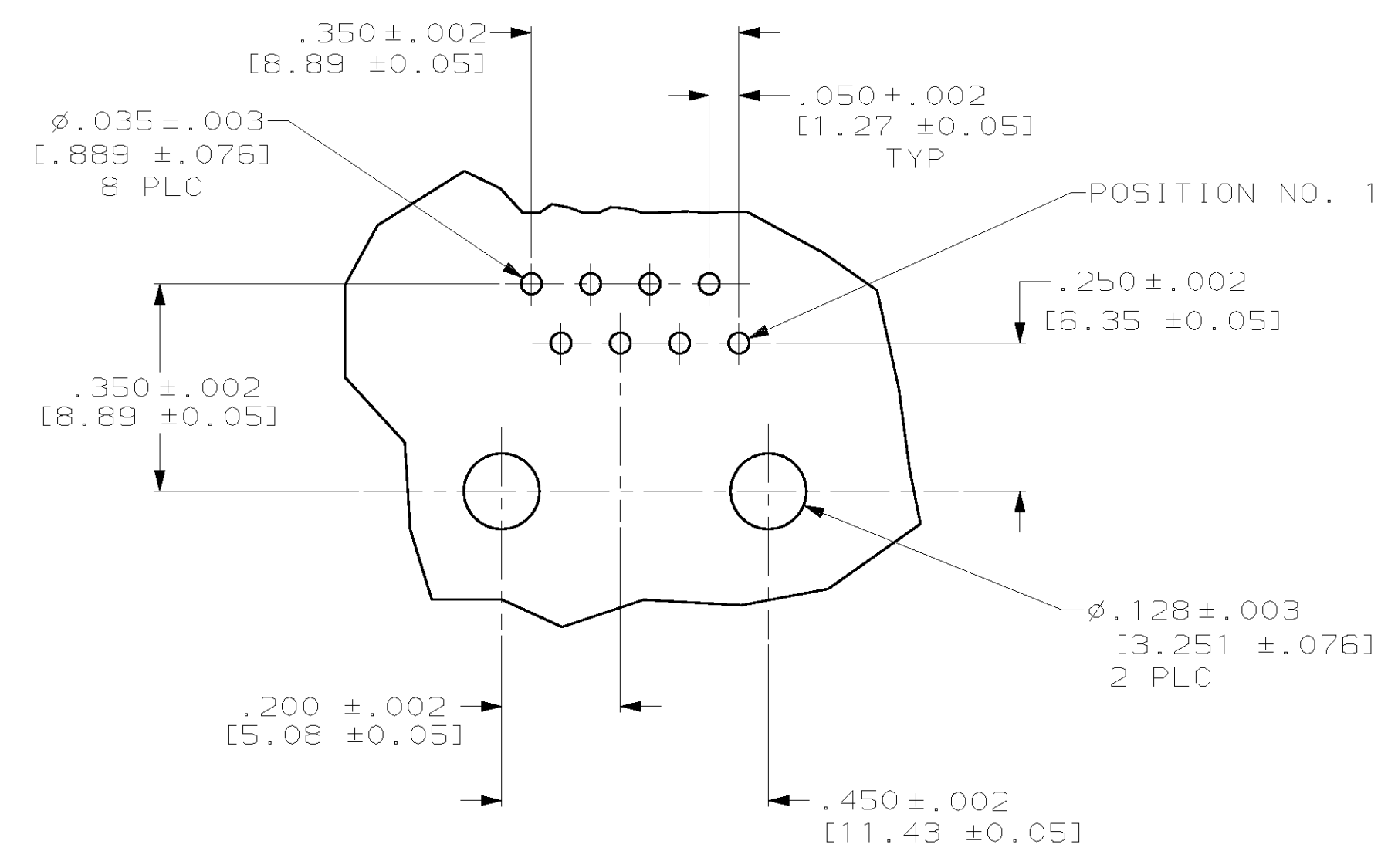
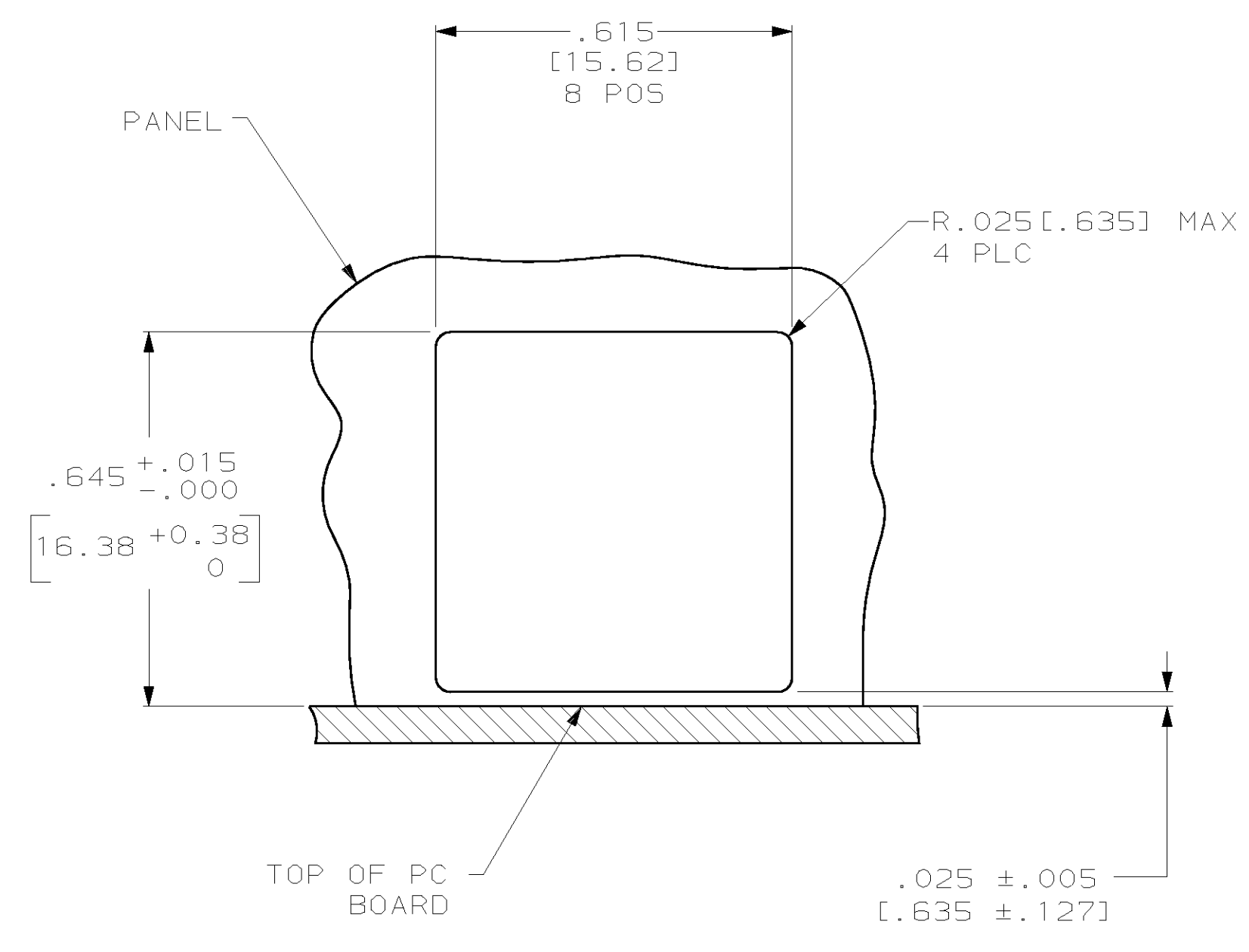
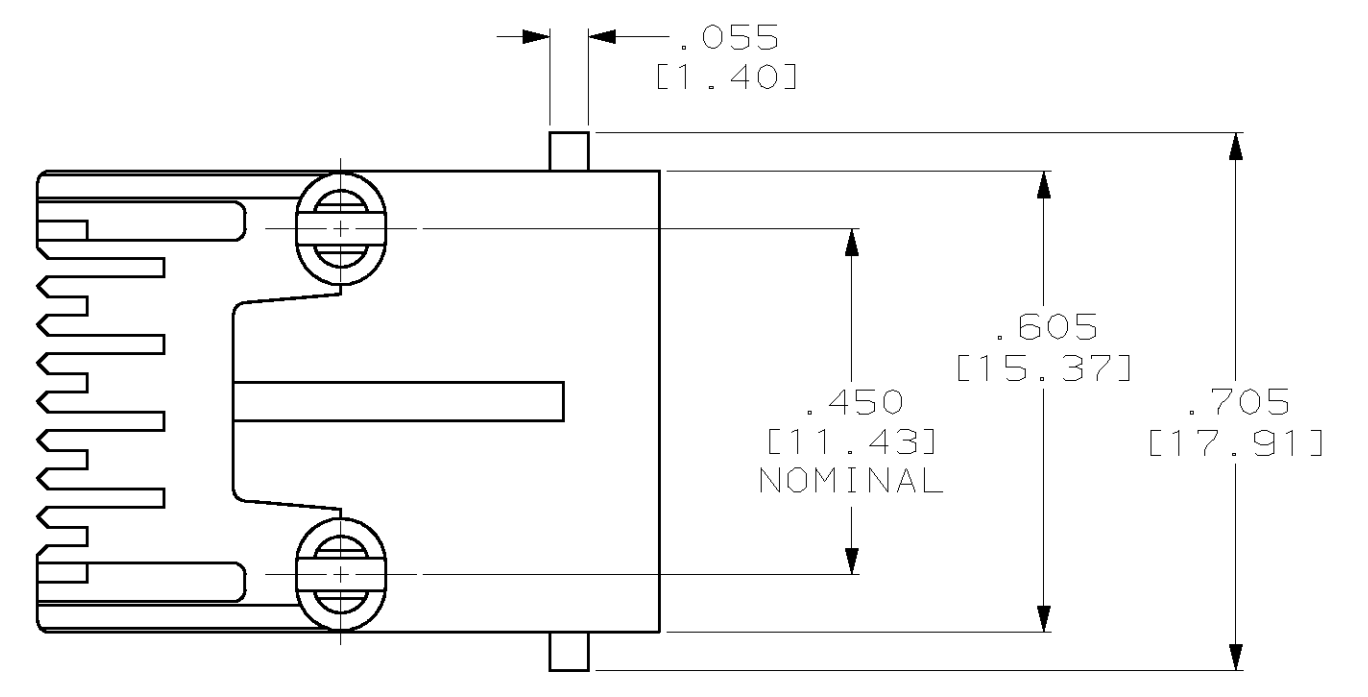
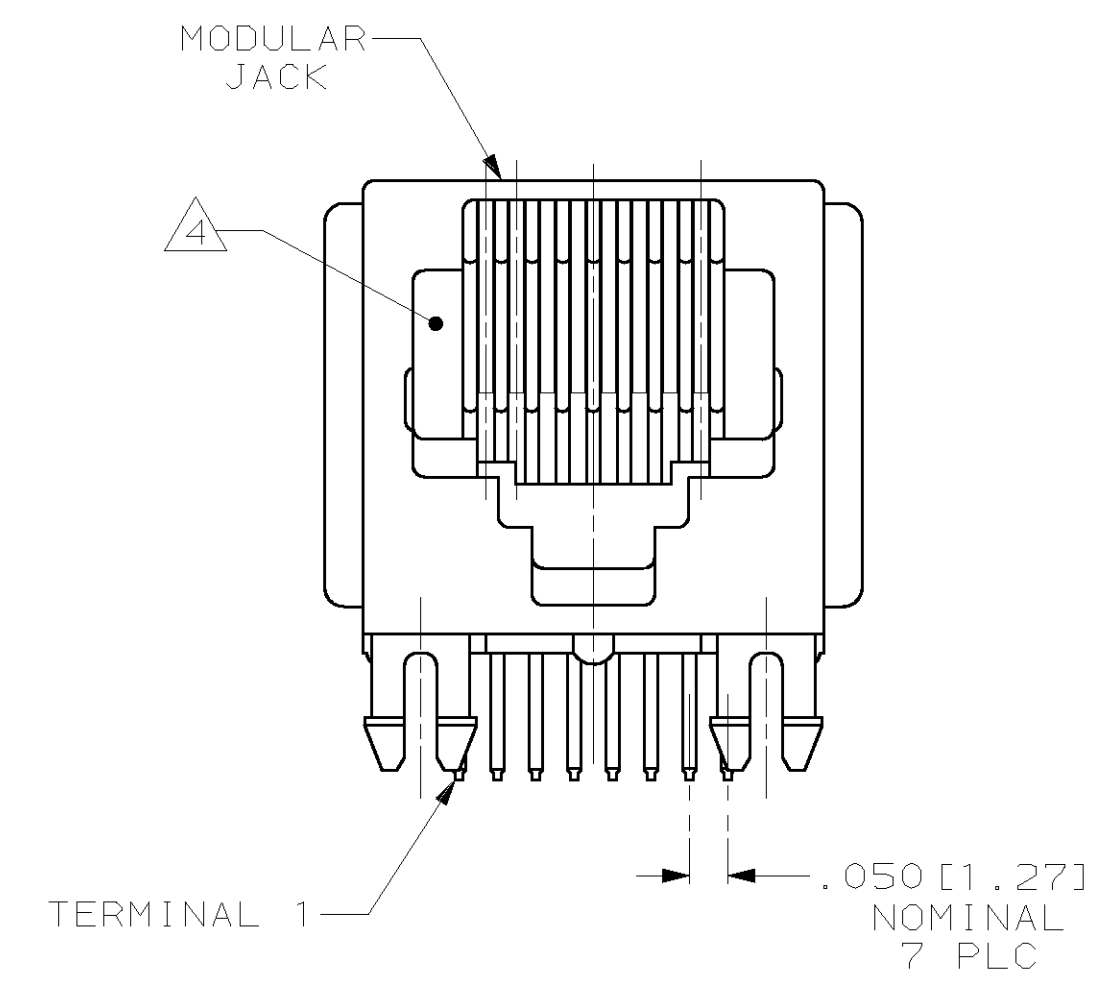
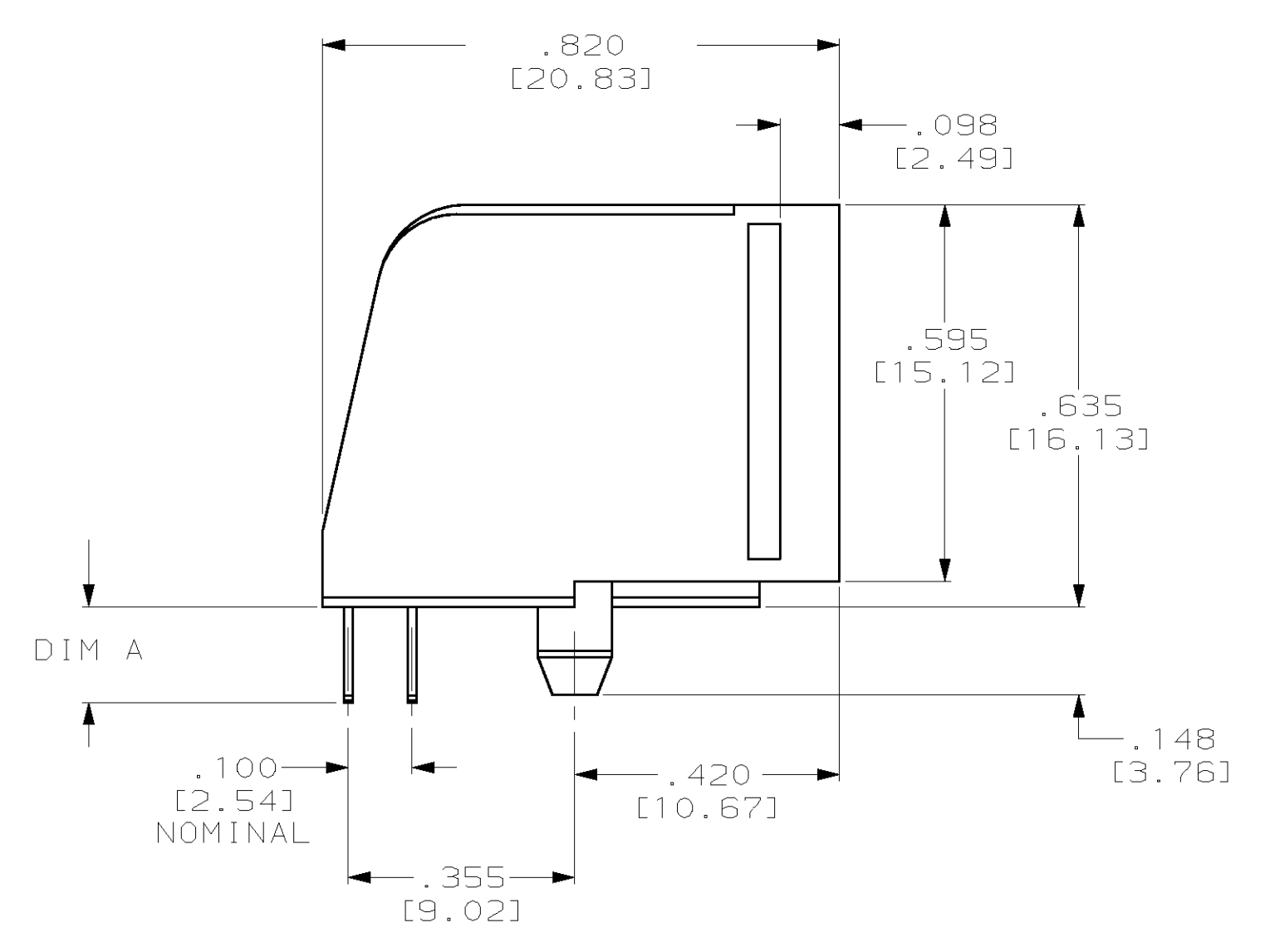


LOC		DIST		REVISIONS				
TR	LYR	DATE	OWN	APVD	DESCRIPTION	DATE	OWN	APVD
Z		20MAY02	DLD	BOK	REACTIVATED: -9; EC 0511-0065-02			



SUGGESTED PRINTED CIRCUIT BOARD LAYOUT  
 NONCOMPONENT SIDE SHOWN

- ⚠ DIMENSIONS ARE MAXIMUM UNLESS OTHERWISE SPECIFIED.
- 2. DIMENSIONS IN BRACKETS [ ] ARE IN MILLIMETERS.
- ⚠ MATERIAL: HOUSING - PBT POLYESTER, BLACK. TERMINAL - PHOS-BRONZE PLATED WITH .000050 [1.27μm] THICK HARD GOLD IN LOCALIZED GOLD PLATE AREA AND .000080 [2.03μm] THICK TIN-LEAD IN SOLDER AREA OVER .000050 [1.27μm] THICK NICKEL UNDERPLATE.
- ⚠ CAVITY CONFORMS TO FCC RULES AND REGULATIONS PART 68 AND REA BULLETIN 345-81, PE-76 SPECIFICATION FOR MODULAR TELEPHONE HARDWARE.
- ⚠ BULK PACKAGED IN A TRAY.

.10-.12 [2.54-3.05]	⚠	8	520251-9
.13-.17 [3.30-4.32]	⚠	8	520251-4
DIM A	PACKAGED	TERMINALS	PART NUMBER

DIMENSIONS		TOLERANCES UNLESS OTHERWISE SPECIFIED		DWN		CHK		APVD		NAME	
INCHES [mm]											
0 PLC	±	±	±	S. GARRETT	05-10-95	N. JONES	5-23-95	F. LAURER	5-30-95	AMP Incorporated Harrisburg, PA 17105-3608	
1 PLC	±	±	±	PRODUCT SPEC		108-1163		APPLICATION SPEC		MODULAR JACK ASSEMBLY, SIDE ENTRY, 8 POSITION, FLANGELESS, WITH PANEL STOPS	
2 PLC	±	±	±	SIZE		A1		CAGE CODE		C-520251	
3 PLC	±	±	±	WEIGHT		-		SCALE		4:1	
4 PLC	±	±	±	CUSTOMER DRAWING				SHEET		1 OF 1	
ANGLES	±	±	±					REV		Z	
FINISH	±	±	±								