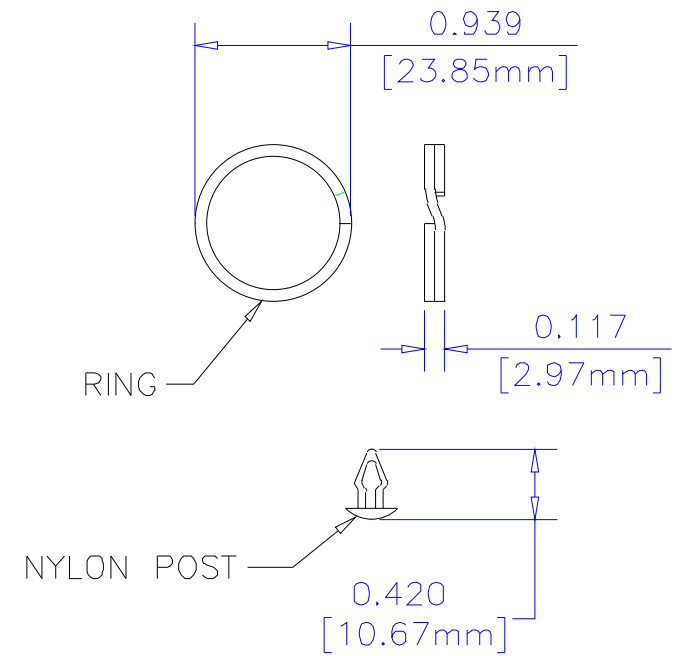
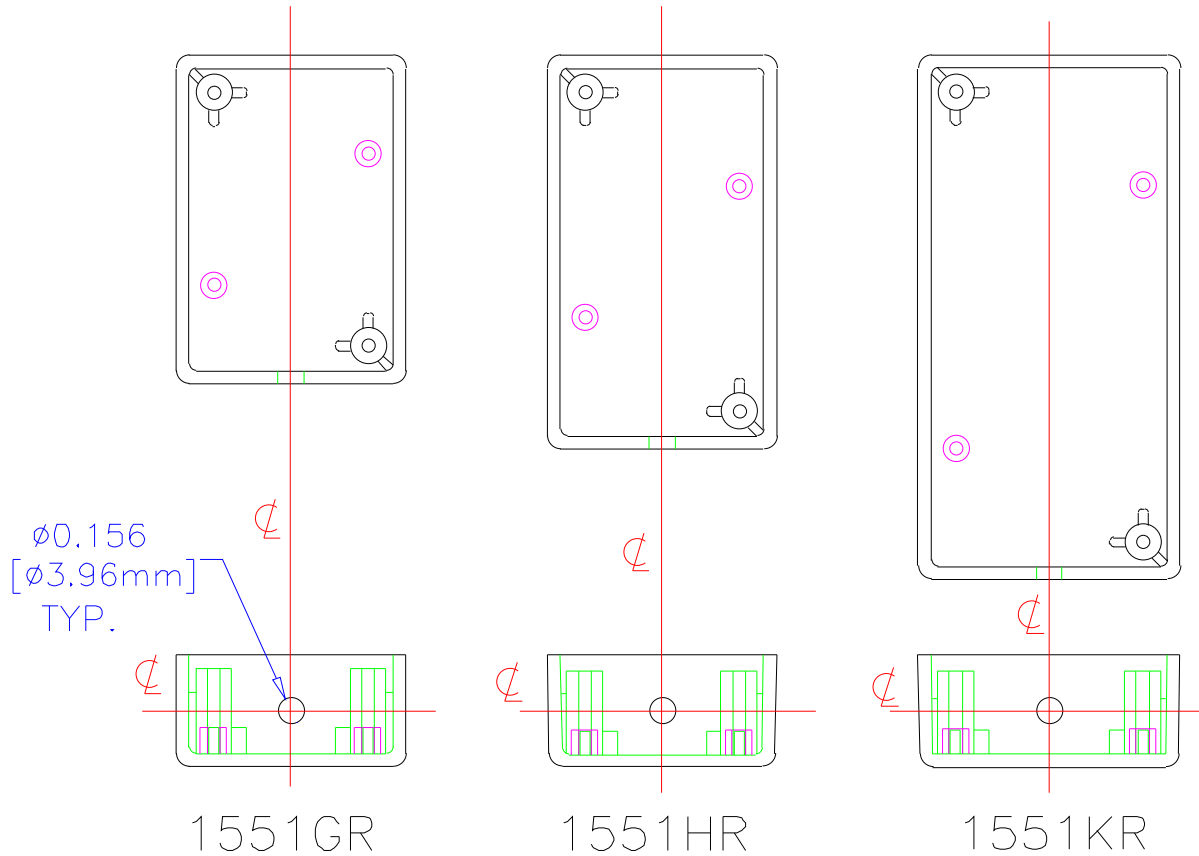


NOTES

MATERIAL BLACK NYLON POST, 3/4" PLATED STEEL RING
 PARTS ONE RING, ONE POST



FOR ENCLOSURE DETAIL SEE
 THE ENCLOSURE DRAWINGS
 1551G, 1551H, & 1551Y

UNLESS OTHERWISE SPECIFIED
 DIMENSIONS ARE IN INCHES
 X +/- .1
 XX +/- .06
 XXX +/- .015
 CUTS +/- .005
 ANGLES +/- .5 DEG.

NOTICE
 HAMMOND OWNS PROPRIETARY RIGHTS TO
 THE MATERIAL ON THIS DRAWING. IT IS
 INTENDED TO BE USED AS A REFERENCE FOR
 ENGINEERING INFORMATION ONLY. THIS
 INFORMATION MAY NOT BE USED TO
 MANUFACTURE PRODUCT WITHOUT WRITTEN
 PERMISSION FROM HAMMOND MANUFACTURING.



HAMMOND
 MANUFACTURING

WEB: WWW.HAMMONDMFG.COM

TITLE
 HAMMOND 1551 SERIES
 PLASTIC ENCLOSURE

DRAWN BY M.J.M. DATE 01/30/01

SCALE PAGE 1 OF 1

PART NUMBER
 1427RK