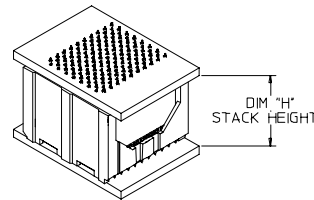
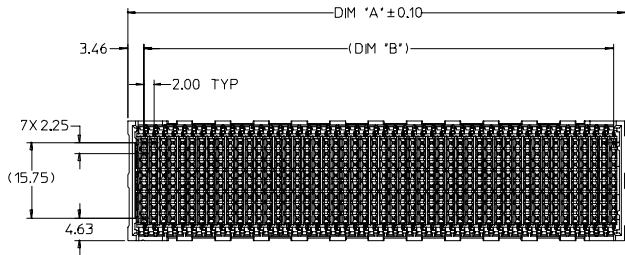


20 | 19 | 18 | 17 | 16 | 15 | 14 | 13 | 12 | 11 | 75117 | 9 | 8 | 7 | 6 | 5 | 4 | 3 | 2 | 1

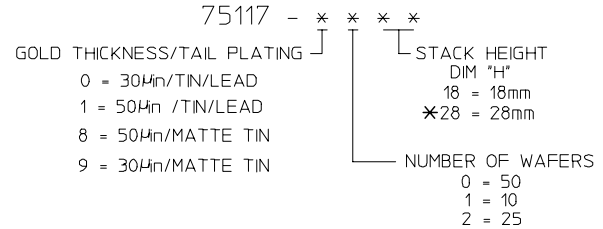


MATED VIEW
10-WAFER CONNECTOR SHOWN

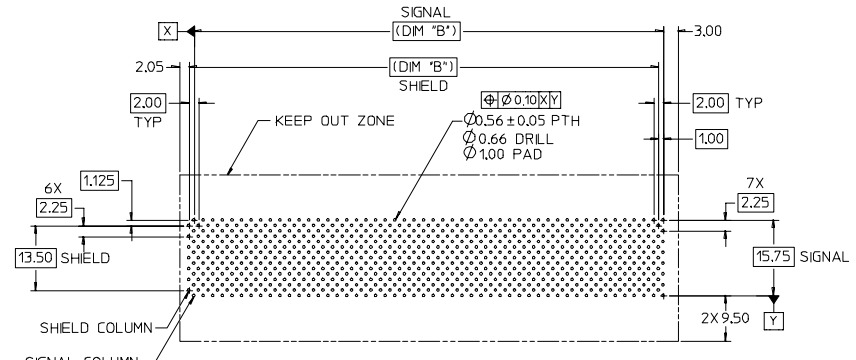
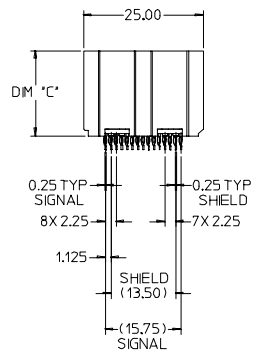
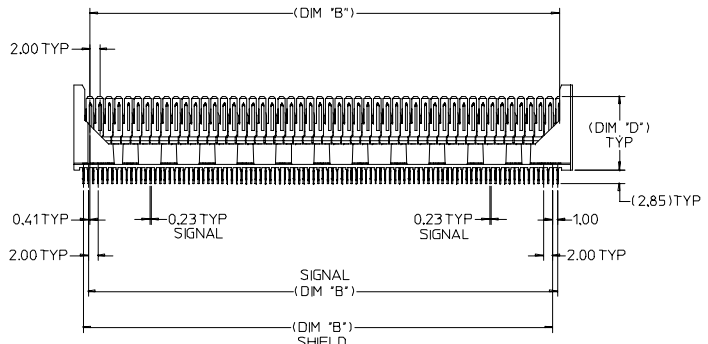
NOTES:

- MATERIALS:
RETAINER HOUSING/WAFER PLASTIC - LIQUID CRYSTAL POLYMER (LCP),
GLASS FILLED, UL94 V-0, COLOR: BLACK (30µin Au) OR GRAY (50µin Au)
TERMINALS - HIGH PERFORMANCE COPPER ALLOY
- FINISHES:
TERMINAL - SELECTIVE GOLD (Au) IN CONTACT AREA, 0.00076mm OR
0.00127mm MIN THICKNESS, SELECTIVE TIN/LEAD (Sn/Pb) OR MATTE TIN (Sn)
ON PCB TAILS,
NICKEL (Ni) UNDERPLATE OVERALL
- PRODUCT SPECIFICATION: PS-74031-999
- PACKAGING SPECIFICATION: PK-70873-0750
- MATES WITH VHDM 8-ROW BACKPLANE HEADER SERIES NO. 74060
- THESE PARTS CONFORM TO MOLEX COSMETIC SPECIFICATION PS-45499-002
CLASS B.

MATERIAL NUMBER ASSIGNMENT



* CONSULT FACTORY FOR AVAILABILITY



PCB LAYOUT: COMPONENT SIDE
RECOMMENDED PCB THICKNESS: 1.80 MM

* CONSULT FACTORY FOR AVAILABILITY

MATERIAL NUMBER	NUMBER OF WAFERS	DIM 'A'	DIM 'B'	DIM 'C'	DIM 'D'	DIM 'H' STACK HEIGHT
*75117-228	25	54.05	48.00	27.74	25.36	28
*75117-x128	10	24.05	18.00			
*75117-x028	50	104.05	98.00			
75117-x218	25	54.05	48.00	17.74	15.36	18
75117-x118	10	24.05	18.00			
75117-x018	50	104.05	98.00			

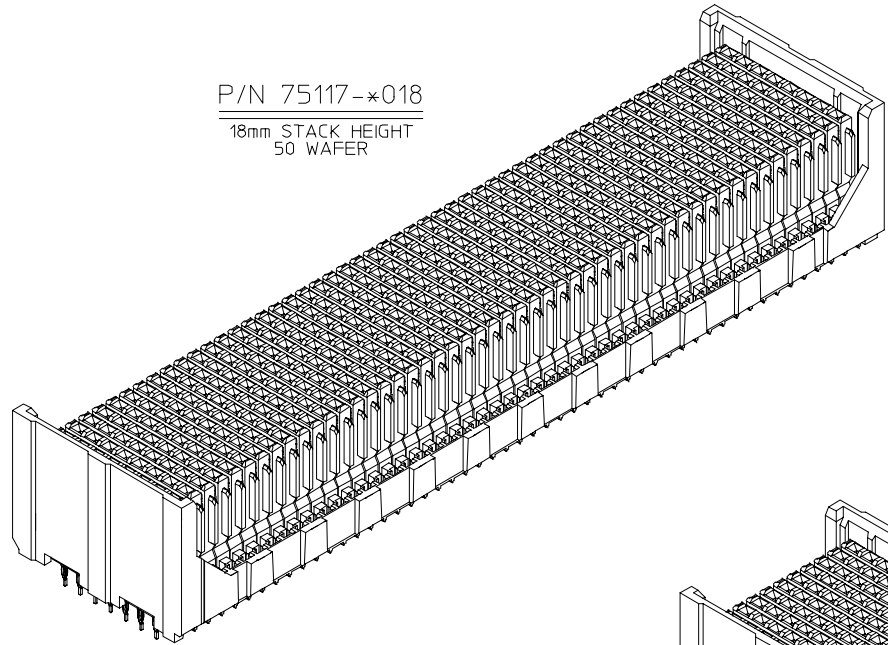
MODIFIED NOTES EC NO: UCP 2008-0167 DRW:MSANDBER007/07/25 CHKD:JBINGHAM 2007/07/25 APPR:JBINGHAM 2007/07/25 REV C2	QUALITY SYMBOLS	GENERAL TOLERANCES (UNLESS SPECIFIED)	SCALE 2:1	DESIGN UNITS METRIC	THIRD ANGLE PROJECTION	REVISE ON CAD ONLY
	4 PLACES ± --- ± ---	mm INCH	DIMENSION STYLE MM ONLY	TITLE	VHDM 8-ROW DAUGHTERCARD STACKER CONNECTOR SALES DRAWING	
	3 PLACES ± --- ± ---	DRAWN BY DATE	SREED 2003/02/27	CHECKED BY DATE	MOLEX INCORPORATED	
	2 PLACES ± 0.05 ± ---	APPROVED BY DATE	CBIXLER 2003/02/27	MATERIAL NO. DOCUMENT NO. SHEET NO.	SEE CHART SD-75117-001 1 OF 2	
1 PLACE ± 0.10 ± ---	DRAFT WHERE APPLICABLE MUST REMAIN WITHIN DIMENSIONS		THIS DRAWING CONTAINS INFORMATION THAT IS PROPRIETARY TO MOLEX INCORPORATED AND SHOULD NOT BE USED WITHOUT WRITTEN PERMISSION			

19 | 18 | 17 | 16 | 15 | 14 | 13 | 12 | 11 | 10 | 9 | 8 | 7 | 6 | 5 | 4 | 3 | 2 | 1

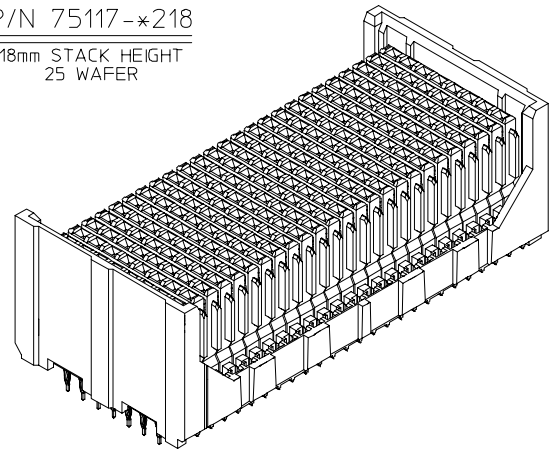
20 19 18 17 16 15 14 13 12 11 10 9 8 7 6 5 4 3 2 1

L
K
J
I
H
G
F
E
D
C
B
A

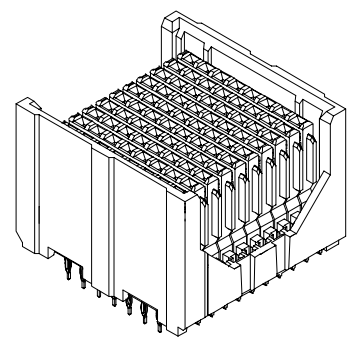
L
K
J
I
H
G
F
E
D
C
B
A



P/N 75117-*018
18mm STACK HEIGHT
50 WAFER



P/N 75117-*218
18mm STACK HEIGHT
25 WAFER



P/N 75117-*118
18mm STACK HEIGHT
10 WAFER

SEE SHEET 1 EC NO: UCP2008-067 DRW:MSANDBER007/07/25 CHKD:JBINGHAM 2007/07/25 APPR:JBINGHAM 2007/07/25	QUALITY SYMBOLS	GENERAL TOLERANCES (UNLESS SPECIFIED)	SCALE 4:1	DESIGN UNITS METRIC	THIRD ANGLE PROJECTION	REVISE ON CAD ONLY
	▽.0	mm INCH	4 PLACES ± --- ± ---	DIMENSION STYLE MM ONLY	TITLE VHDM 8-ROW DAUGHTERCARD STACKER CONNECTOR SALES DRAWING	
	▽.05	mm INCH	3 PLACES ± --- ± ---	DRAWN BY SREED DATE 2003/02/27	MOLEX INCORPORATED	
	▽.10	mm INCH	2 PLACES ± 0.05 ± ---	CHECKED BY JBINGHAM DATE 2003/02/27	MATERIAL NO. SEE CHART	DOCUMENT NO. SD-75117-001
		1 PLACE ± 0.10 ± ---	APPROVED BY CBIXLER DATE 2003/02/27	THIS DRAWING CONTAINS INFORMATION THAT IS PROPRIETARY TO MOLEX INCORPORATED AND SHOULD NOT BE USED WITHOUT WRITTEN PERMISSION		
		ANGULAR ± 2 °				
		DRAFT WHERE APPLICABLE MUST REMAIN WITHIN DIMENSIONS				

19 18 17 16 15 14 13 12 11 10 9 8 7 6 5 4 3 2 1