

MODEL:

PDU3MV6L2130A

3-Phase Metered Rackmount PDU



208V
3-Phase Input



L21-30P
Plug



208V
Single-Phase
Output



45 Outlets



8.6kW
Load Capacity



Digital Load Meter



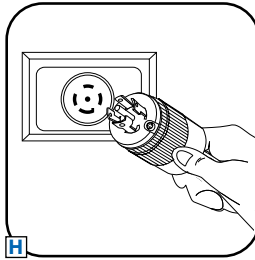
0U
Rackmount



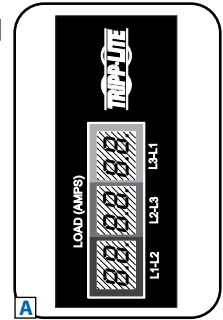
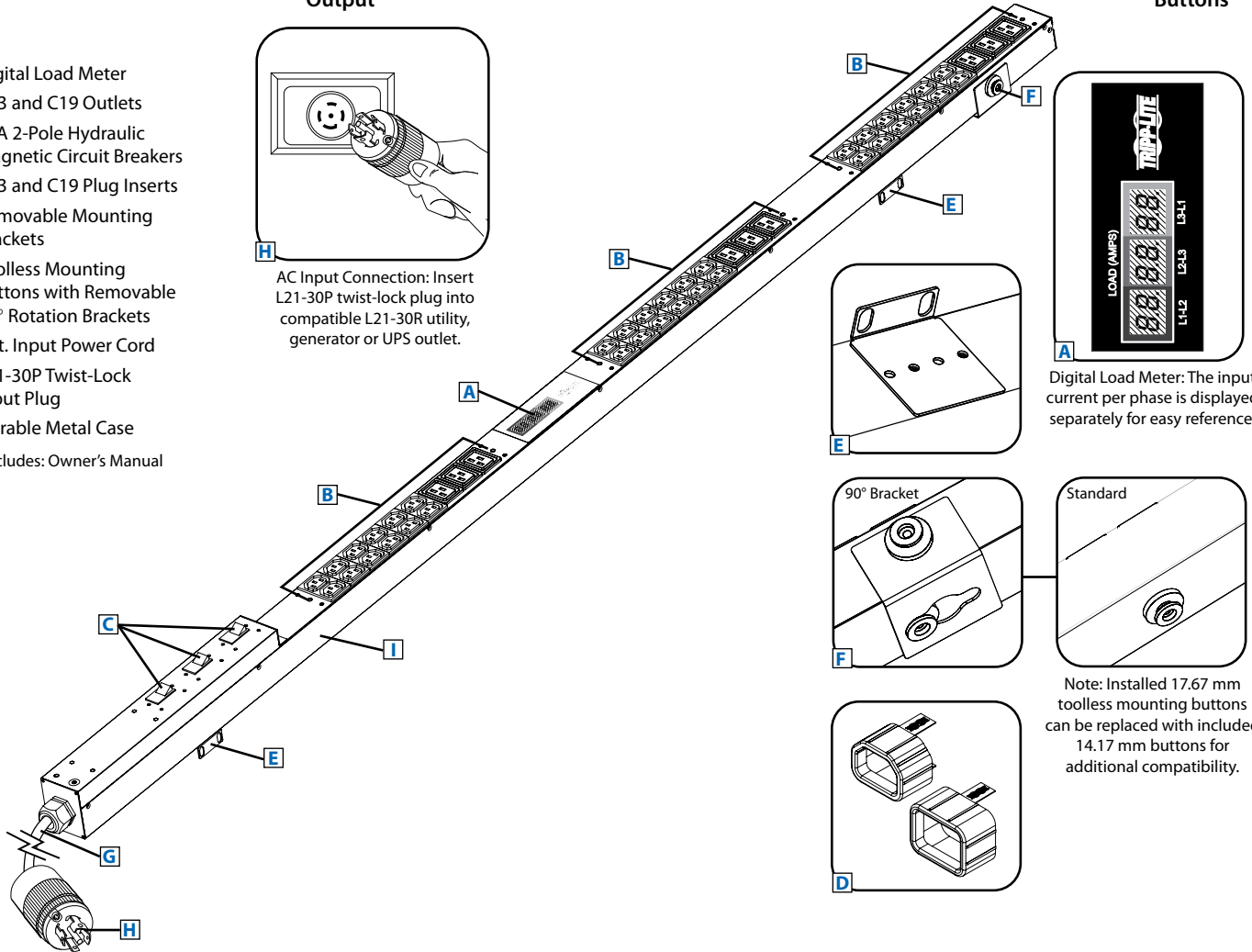
Toolless Mounting Buttons

- A** Digital Load Meter
- B** C13 and C19 Outlets
- C** 20A 2-Pole Hydraulic Magnetic Circuit Breakers
- D** C13 and C19 Plug Inserts
- E** Removable Mounting Brackets
- F** Toolless Mounting Buttons with Removable 90° Rotation Brackets
- G** 6-ft. Input Power Cord
- H** L21-30P Twist-Lock Input Plug
- I** Durable Metal Case

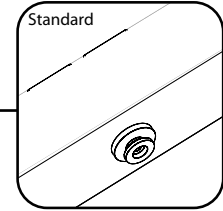
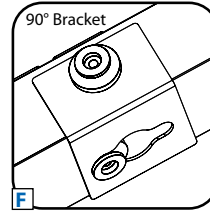
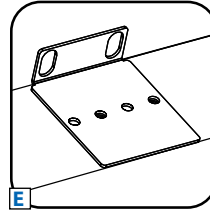
Also Includes: Owner's Manual



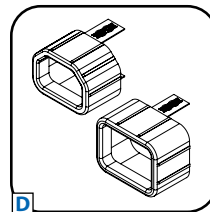
AC Input Connection: Insert L21-30P twist-lock plug into compatible L21-30R utility, generator or UPS outlet.



Digital Load Meter: The input current per phase is displayed separately for easy reference.



Note: Installed 17.67 mm toolless mounting buttons can be replaced with included 14.17 mm buttons for additional compatibility.



Specifications

Model	PDU3MV6L2130A
Voltage	208V 3-Phase Input / 208V Single-Phase Output
Frequency	50/60Hz
Load Capacity	8.6kW
Input Plug	L21-30P
Input Cord Length	6 ft.
Outlets	45 (36 C13 / 9 C19)
Primary Mounting Option	0U (Vertical) Rackmount
Unit Weight & Dimensions	13.5 lb. / 70 x 2.65 x 2.2 in.
Standards	See next page for detailed unit measurements. Tested to UL 60950-1 (US & Canada), NOM (Mexico), FCC Class A

Tripp Lite has a policy of continuous improvement. Specifications are subject to change without notice.

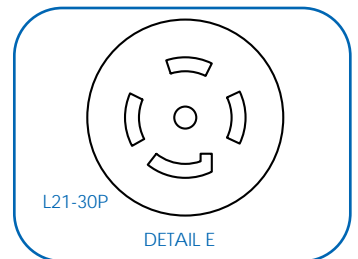
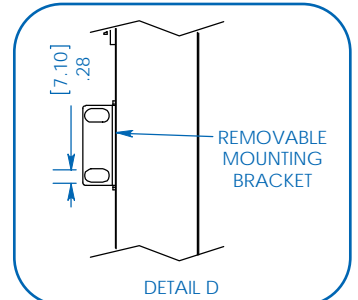
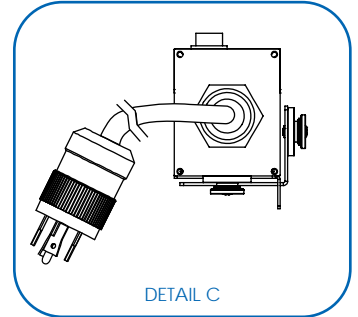
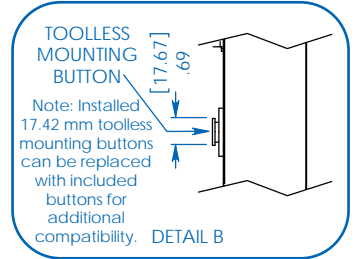
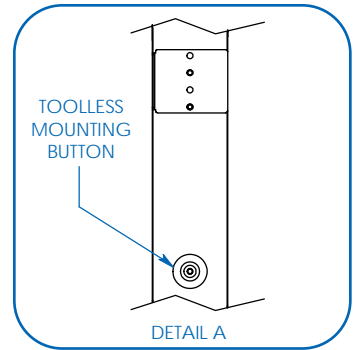
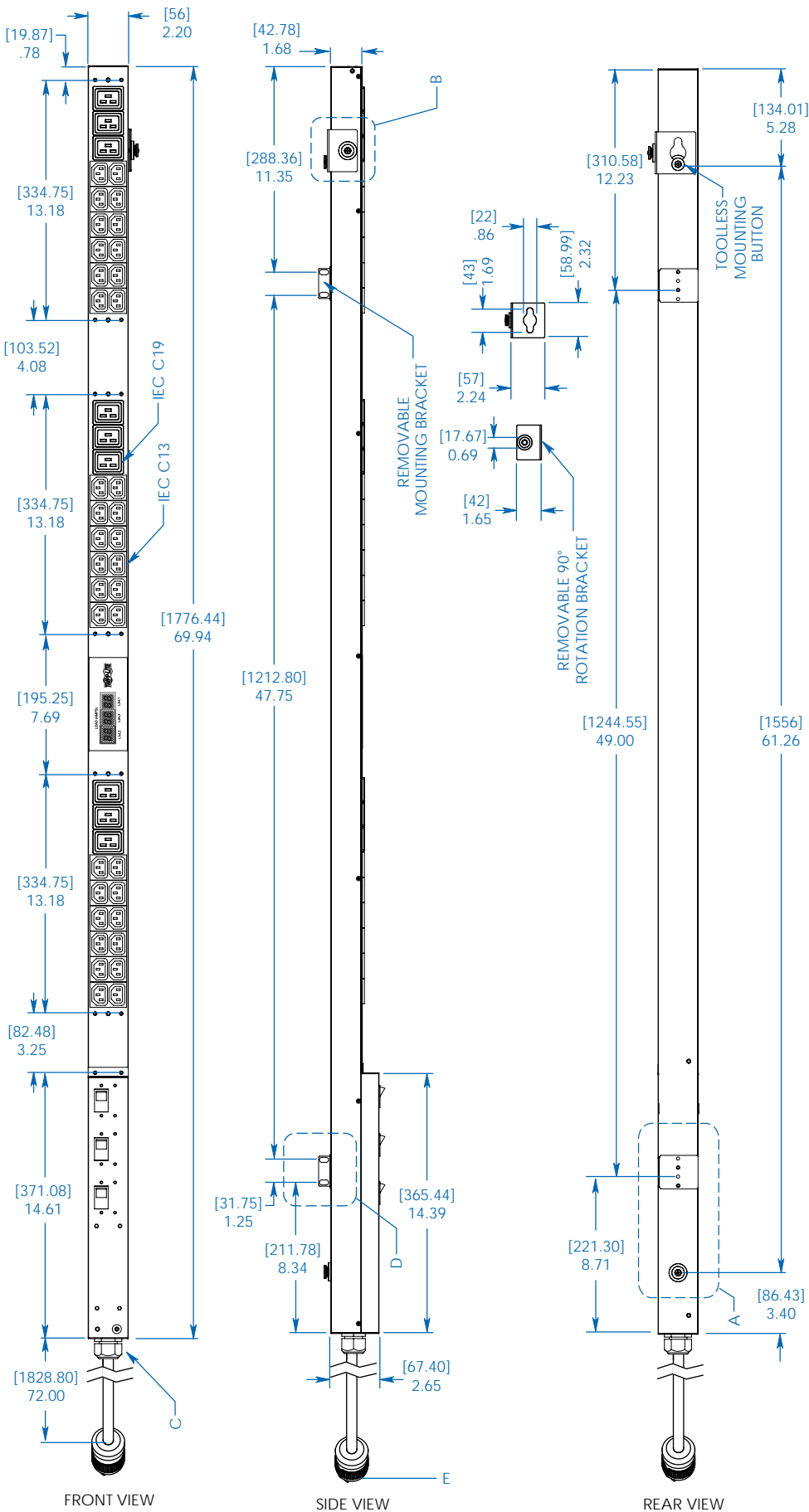


- Distributes power to 45 outlets (12 C13 and 3 C19 per phase)
- Displays input current for each phase in real time
- Perfect for rackmount server, network and telecom applications

SEE NEXT PAGE FOR DETAILED UNIT MEASUREMENTS



1111 W. 35th Street
Chicago, IL 60609 USA
773.869.1234
www.tripplite.com



MODEL:
PDU3MV6L2130A



1111 W. 35th Street
Chicago, IL 60609 USA
773.869.1234

www.tripplite.com

Dimensions: [mm] INCHES

Tripp Lite has a policy of continuous improvement. Specifications are subject to change without notice.