



## Test Procedure for the NCP59151DS00GEVB Evaluation Board

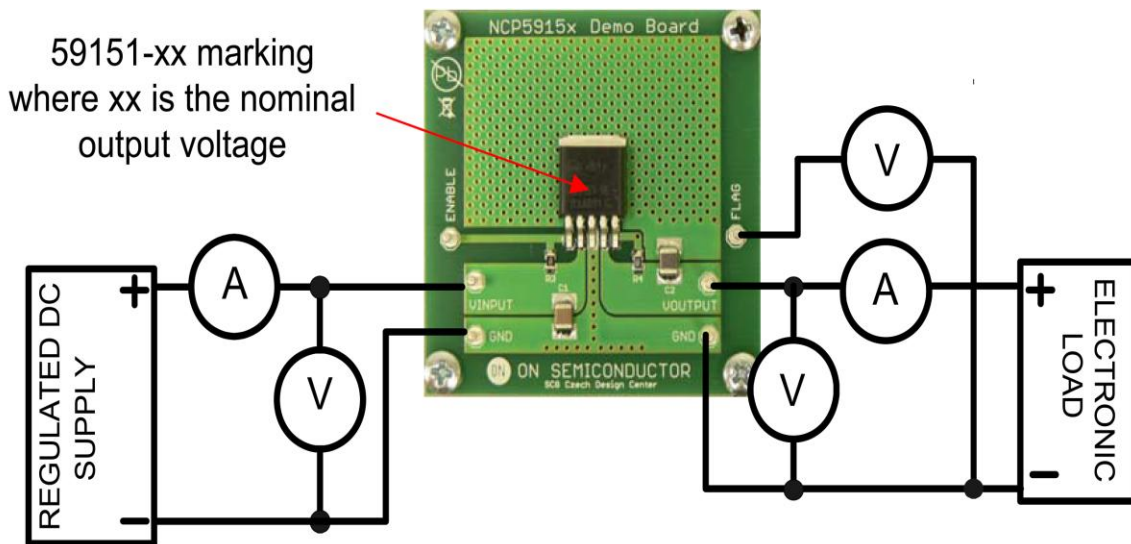


Figure 1: Test Setup

### Test Procedure

1. Connect the test setup as shown in Figure 1.
2. Apply an input voltage,  $V_{in} = V_{out\_nom} + 1\text{ V}$
3. Apply  $I_{out} = 10\text{ mA}$  load.
4. Check that  $V_{out}$  is  $V_{out\_nom}$
5. Increase  $I_{out}$  load to 1.5 A
6. Check that  $V_{out}$  is  $V_{out\_nom}$
7. Check by Multimeter referenced to GND that  $V_{flag}$  is roughly  $V_{out\_nom}$
8. Decrease input voltage until  $V_{out} = 90\%$  of  $V_{out\_nom}$
9. Check that  $V_{flag}$  is less than 0.4 V
10. Power down the load
11. Power down  $V_{input}$
12. End of test