

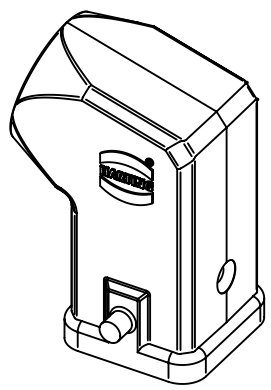
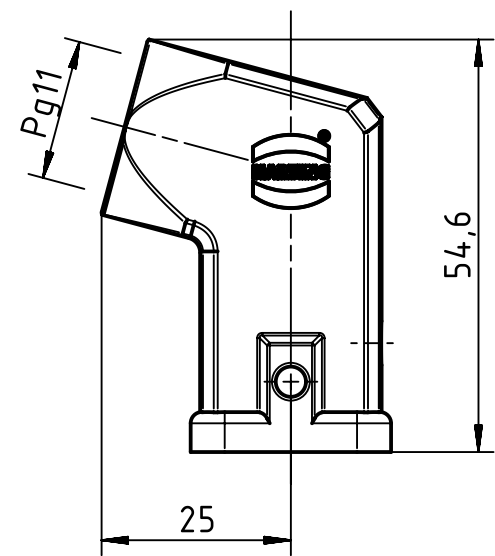
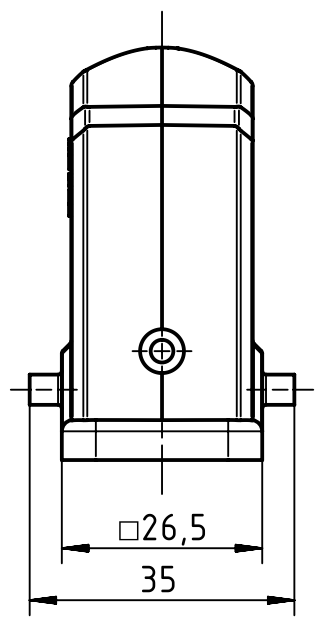
1 2 3 4 5 6


A

B

C

D



	All rights reserved Department EL PD - DE	All Dimensions in mm Original Size DIN A4		Scale 1:1	Free size tol.	Ref.	
		Created by PRIESTER	Inspected by BERGHORN	Standardisation TIEMANNA	Date 2014-05-14	State Final Release	
HARTING Electric GmbH & Co. KG D-32339 Espelkamp		Title Han A Hood Angled Entry 2 Pegs PG 11 Bla				Doc-Key / ECM-Nr. 100198415/UGD/005/A 500000074473	
		Type TB	Number 09 20 003 0627			Rev. A	Page 1/1