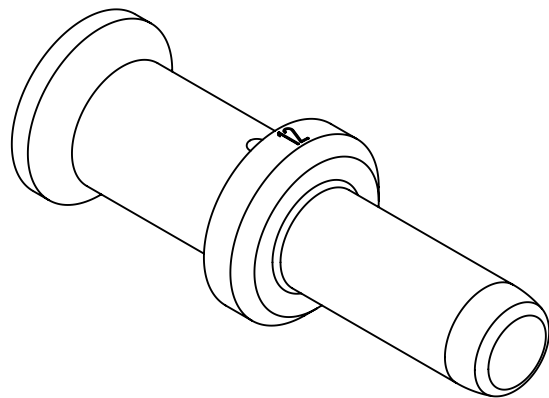
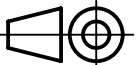



assembly notes see catalog
 crimp zone acc. to DIN EN 46235; indicator 12
 for stranded fine wire acc. to VDE 0295 class5/ IEC 60228 class 5
 wire gauge: 35mm²
 stripping length: 22mm



 All Dimensions in mm Original Size DIN A4		Scale 2:1	Free size tol.		Ref.
 All rights reserved Department EL PD - DE		Created by SCHULZI	Inspected by SCHNIEDER	Standardisation SCHMIDTM	Date 2015-01-27
HARTING Electric GmbH & Co. KG D-32339 Espelkamp		Title Han TC250 male contact 35mm ²			State Final Release
		Type TB	Number 09 11 000 6127		Doc-Key / ECM-Nr. 100184720/UGD/005/B 500000082399
				Rev. B	Page 1/1