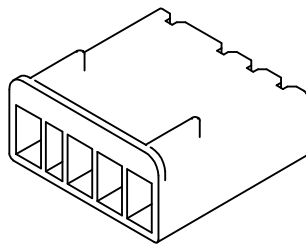
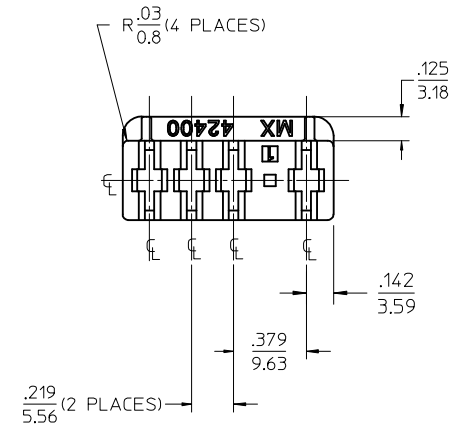
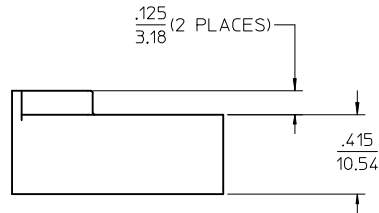
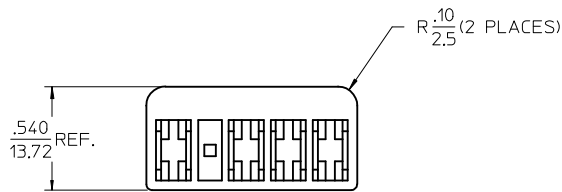


NOTES:

1. MATERIAL: SEE SHEET 3
2. FINISH: NONE
3. PRODUCT SPECIFICATION: NONE
4. PACKAGING PER PK-42400-001
5. HOUSING ACCEPTS 41422 SERIES .250 FEMALE CRIMP TERMINALS AND MATES WITH .250/6.35 WIDE, .31/7.91 LONG, .032/0.81 THICK SPADE TERMINALS.
6. SEE SHEET 3 FOR 4-CKT. OPTIONS AND PART NUMBERS.

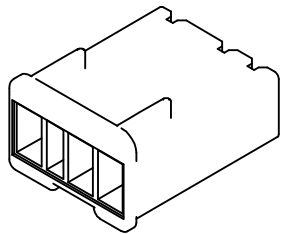
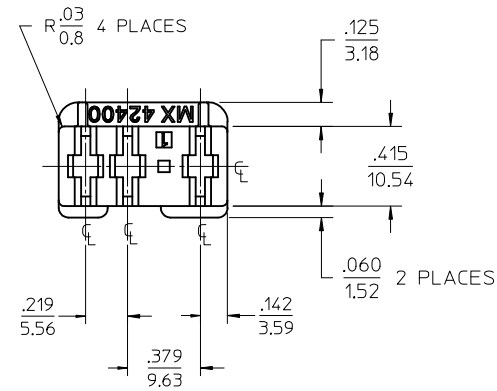
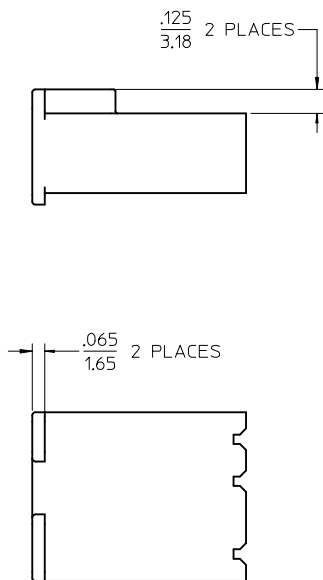
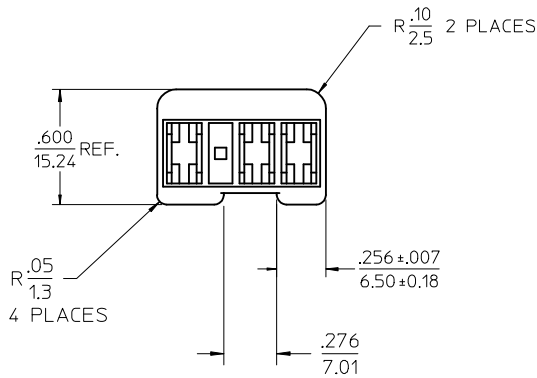
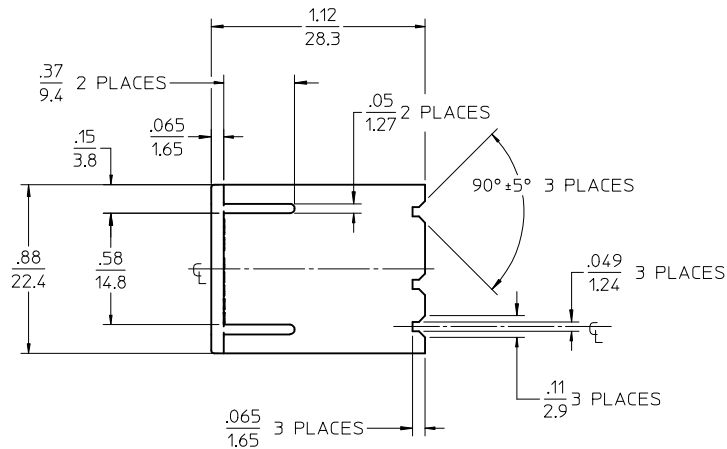


4-CKT HOUSING

MODIFY 3-CKT VER. EC NO: UCP2009-3090 DRWN: BWIRKUS 2009/06/22 CHKD: 2009/06/22 APPR: BWIRKUS 2009/07/28	QUALITY SYMBOLS ▽=0 ▽=0	GENERAL TOLERANCES (UNLESS SPECIFIED)		DIMENSION STYLE IN/MM	SCALE 2:1	DESIGN UNITS INCH	THIRD ANGLE PROJECTION	
		4 PLACES ± --- ± ---	3 PLACES ± --- ± .005	DRAWN BY B. WIRKUS	DATE 9-4-2008	TITLE POWER RECEPTACLE HOUSING 3 & 4 CKT; DUAL FLANGE FOR .250 FEM. FLAT BLADE		
		2 PLACES ± .013 ± .010	1 PLACE ± 0.25 ± ---	CHECKED BY B. WIRKUS	DATE 9-4-2008	MOLEX INCORPORATED		
		ANGULAR ± 1/2°		APPROVED BY A. PATEL	DATE 9-5-2008	DOCUMENT NO. SD-42400-001		
B1	REV	DRAFT WHERE APPLICABLE MUST REMAIN WITHIN DIMENSIONS		MATERIAL NO. SEE SHEET 3	SIZE C	SHEET NO. 1 OF 3		
THIS DRAWING CONTAINS INFORMATION THAT IS PROPRIETARY TO MOLEX INCORPORATED AND SHOULD NOT BE USED WITHOUT WRITTEN PERMISSION								

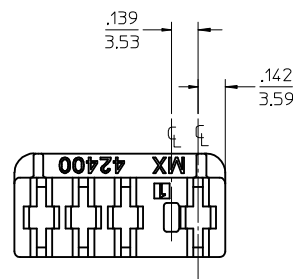
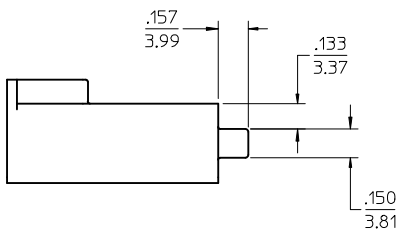
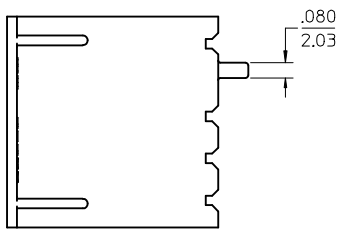
NOTES:

1. MATERIAL: PA6 (NYLON), UL94V-0, BLACK
2. FINISH: NONE
3. PRODUCT SPECIFICATION: NONE
4. PACKAGING PER PK-42400-001
5. HOUSING ACCEPTS 41422 SERIES .250 FEMALE CRIMP TERMINALS AND MATES WITH .250/6.35 WIDE, .31/.79 LONG, .032/0.81 THICK SPADE TERMINALS.
6. SEE SHEET 3 FOR PART NUMBER AND DESCRIPTION.

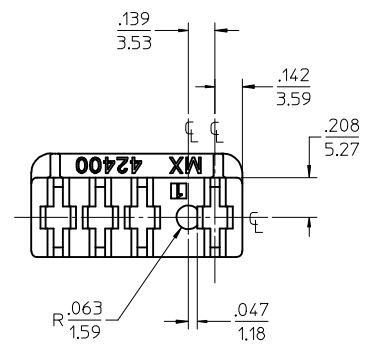
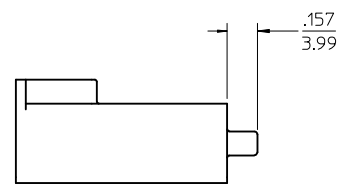
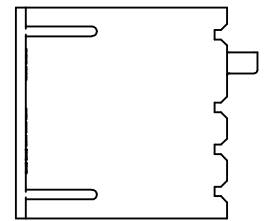


3-CKT. HOUSING

ADD 2ND FLANGE EC NO: UCP2009-3090 DRWN: BWIRKUS 2009/06/22 CHKD: 2009/06/22 APPR: BWIRKUS 2009/07/28	QUALITY SYMBOLS ▽=0 ▽=0	GENERAL TOLERANCES (UNLESS SPECIFIED)		DIMENSION STYLE IN/MM	SCALE 2:1	DESIGN UNITS INCH	THIRD ANGLE PROJECTION	
		4 PLACES ± --- ± ---	3 PLACES ± --- ± .005	mm	INCH	DRAWN BY B. WIRKUS	DATE 9-4-2008	TITLE POWER RECEPTACLE HOUSING 3 & 4 CKT; DUAL FLANGE FOR .250 FEM. FLAT BLADE
		2 PLACES ± 0.13 ± .010	1 PLACE ± 0.25 ± ---	APPROVED BY A. PATEL	DATE 9-5-2008	MATERIAL NO. 424003001		
		ANGULAR ± 1/2°		DRAFT WHERE APPLICABLE MUST REMAIN WITHIN DIMENSIONS		DOCUMENT NO. SD-42400-001		SHEET NO. 2 OF 3



42400-100* SQUARE PEG OPTION



42400-200* ROUND PEG OPTION

ENG. NUMBER	MATERIAL NO.	NO. OF CKTS.	MATERIAL	COLOR	POLARIZING PEG
42400-0001	006-02-3042	4	PA (NYLON), UL94V-2	NATURAL	NO PEG
42400-0003	424000003	4	PA (NYLON), UL94V-0	WHITE	NO PEG
42400-0004	424000004	4	PA (NYLON), UL94V-0	BLACK	NO PEG
42400-1003	424001003	4	PA (NYLON), UL94V-0	WHITE	SQUARE PEG
42400-1004	424001004	4	PA (NYLON), UL94V-0	BLACK	SQUARE PEG
42400-2001	424002001	4	PA (NYLON), UL94V-2	NATURAL	ROUND PEG
42400-2003	424002003	4	PA (NYLON), UL94V-0	WHITE	ROUND PEG
42400-2004	424002004	4	PA (NYLON), UL94V-0	BLACK	ROUND PEG
42400-3001	424003001	3	PA (NYLON), UL94V-0	BLACK	NO PEG

MODIFY 3-CKT VER EC NO: UCP2009-3090 DRWN: BWIRKUS 2009/06/22 CHKD: 2009/06/22 APPR: BWIRKUS 2009/07/28	QUALITY SYMBOLS	GENERAL TOLERANCES (UNLESS SPECIFIED) mm INCH 4 PLACES ± --- ± --- 3 PLACES ± --- ± .005 2 PLACES ± 0.13 ± .010 1 PLACE ± 0.25 ± --- ANGULAR ± 1/2°	DIMENSION STYLE	SCALE	DESIGN UNITS	THIRD ANGLE PROJECTION
			IN/MM	2:1	INCH	
	REV	DESCRIPTION	DRAFT WHERE APPLICABLE MUST REMAIN WITHIN DIMENSIONS	DRAWN BY DATE B. WIRKUS 9-4-2008 CHECKED BY DATE B. WIRKUS 9-4-2008 APPROVED BY DATE A. PATEL 9-5-2008	TITLE POWER RECEPTACLE HOUSING 3 & 4 CKT; DUAL FLANGE FOR .250 FEM. FLAT BLADE	
	B1		SEE CHART	MOLEX INCORPORATED MOLEX INCORPORATED DOCUMENT NO. SD-42400-001		SHEET NO. 3 OF 3