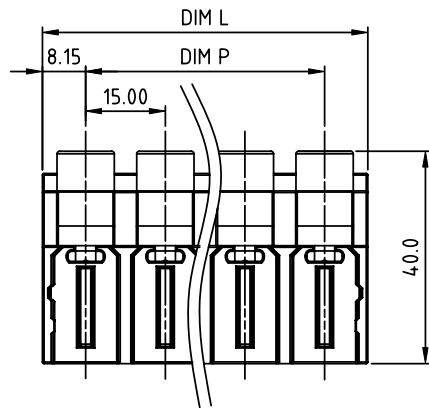
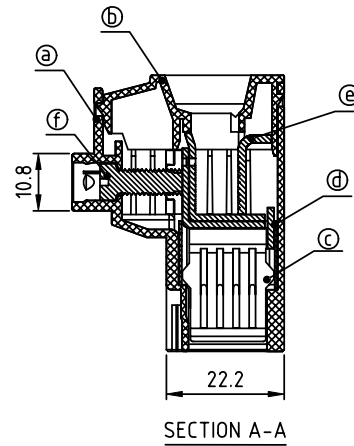
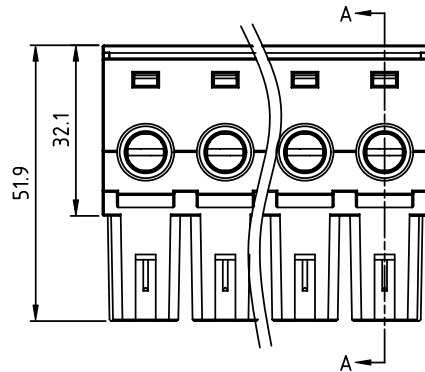


|                |          |
|----------------|----------|
| PRODUCT NUMBER | PITCH    |
| KXxxC1x000J0G  | 15.00 mm |



- Material:
- Item①Terminal housing: Thermoplastic (UL94V-0)
  - Item②Terminal cover: Thermoplastic (UL94V-0)
  - Item③Female contact : Copper. Tin plated
  - Item④Wire guard : Stainless Steel
  - Item⑤Clamp : Steel Stamping , Zinc plated
  - Item⑥Terminal screw: Steel, Zinc plating"-slot type,M5

- Electrical: cULus
- Voltage rating: 600 V
  - Current rating: 115 A
  - Wire range:
  - Solid wire(AWG): 2-20
  - Stranded wire(AWG): 2-20
  - Torque(Lb-In): 36.5
  - Screw: M5
  - Wire strip length: 19-20mm
  - Withstanding Voltage: 2.2 KV
  - Operating temperature: -40°C to +115°C
  - Safety Approval: cULus

N=Number of poles  
 DIM L=(N-1)x15.0+16.3  
 DIM P=(N-1)x15.0

| poles | Tolerance |
|-------|-----------|
| 2-4p  | ±0.20     |
| 5-7p  | ±0.35     |
| 8-10p | ±0.50     |

PART NO.: KX xx C 1 x 0 00J 0 G

- |              |   |                   |  |
|--------------|---|-------------------|--|
| Solid block  | 0 | Black (RAL9005)   | RoHS compliant<br>(lead<4%)<br>In copper Alloy |
| No. of poles | 2 | Red (RAL3001/D)   |  |
| 02 2 poles   | 3 | Orange(RAL2011/P) |  |
| 03 3 poles   | 4 | Yellow(RAL1018/A) |  |
| ...          | 5 | Green(RAL6018/T)  |  |
| 10 10 poles  | 6 | Blue (RAL5015/A)  |  |
|              | 8 | Grey(RAL7035/D)   |  |
|              | 9 | White(RAL1102)    |  |
|              | C | Green(RAL6018/U)  |  |

|             |          |                       |                         |                                       |                                  |
|-------------|----------|-----------------------|-------------------------|---------------------------------------|----------------------------------|
| mat'l. code |          | surface<br>ASME Y14.5 | tolerance<br>ASME Y14.5 | projection                            | product family<br>TERMINAL BLOCK |
| ltr         | ecn no   | dr                    | date                    |                                       | title                            |
|             |          |                       |                         | tolerances unless otherwise specified | TERMINAL BLOCK                   |
|             |          |                       |                         | angles                                | PLUGGABLE PLUG                   |
|             |          |                       |                         | X±0.5                                 | scale                            |
|             |          |                       |                         | X.X±0.3                               | MM                               |
|             |          |                       |                         | X*±1*                                 | X.XX±0.1                         |
| dr          |          | EVIN ZHONG            | 050914                  |                                       | dwg no                           |
| enr         |          | EVIN ZHONG            | 050914                  |                                       | sheet 1 of 1                     |
| chr         |          | HANKE FENG            | 050914                  |                                       | size                             |
| appd        |          | SHI JUN               | 050914                  |                                       | A4                               |
|             |          |                       |                         |                                       | KXxxC1x000J0G                    |
|             |          |                       |                         |                                       | type                             |
|             |          |                       |                         |                                       | CUSTOMER Drawing                 |
| sheet index | revision | A                     |                         |                                       |                                  |
|             | sheet    | 1                     |                         |                                       |                                  |