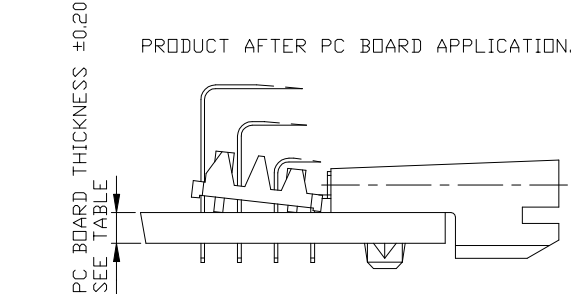
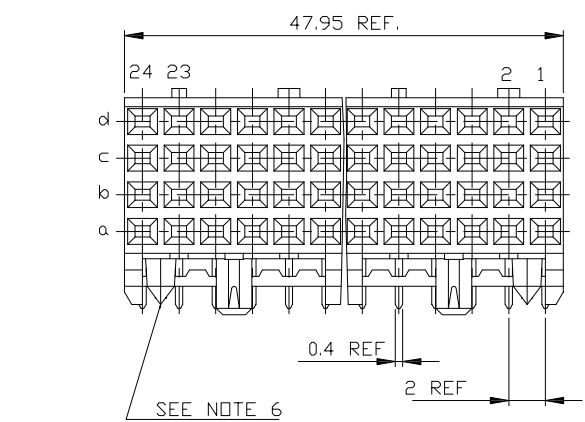
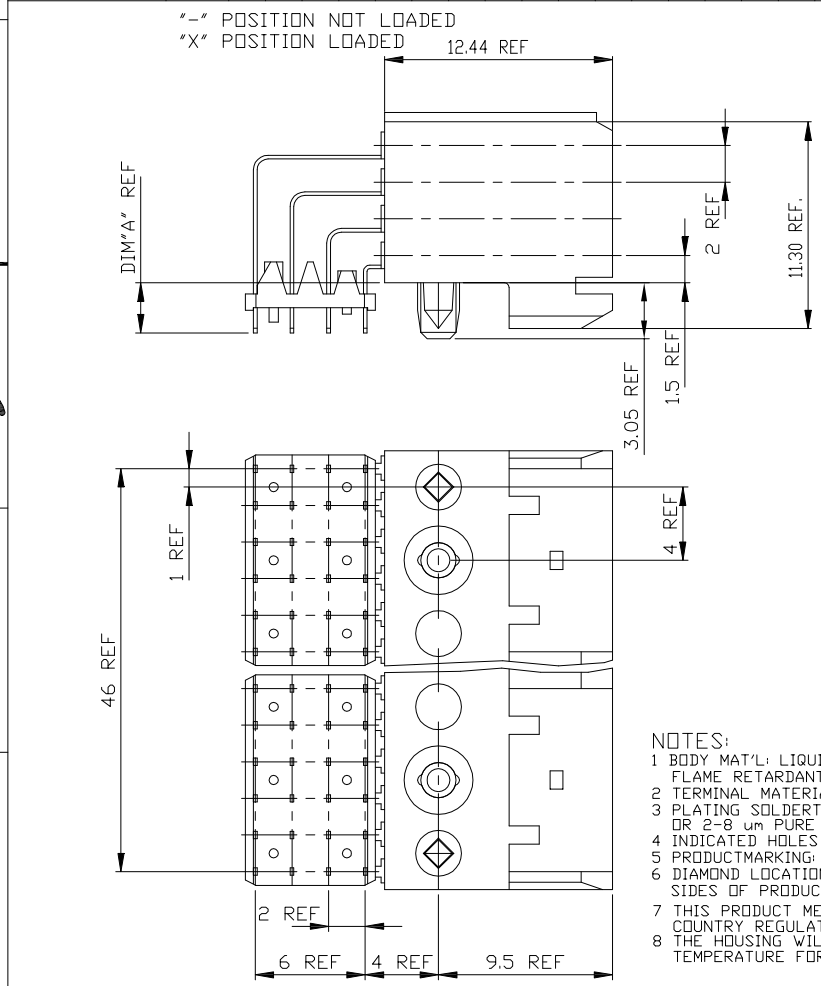


Tous droits strictement réservés. Reproduction ou communication à des tiers sans autorisation écrite du propriétaire. Property of F.C.I. s.r.l. © F.C.I. s.r.l.

All rights strictly reserved. Reproduction or issue to third parties in any form without written authority from the proprietor. Property of F.C.I. s.r.l. © F.C.I. s.r.l.

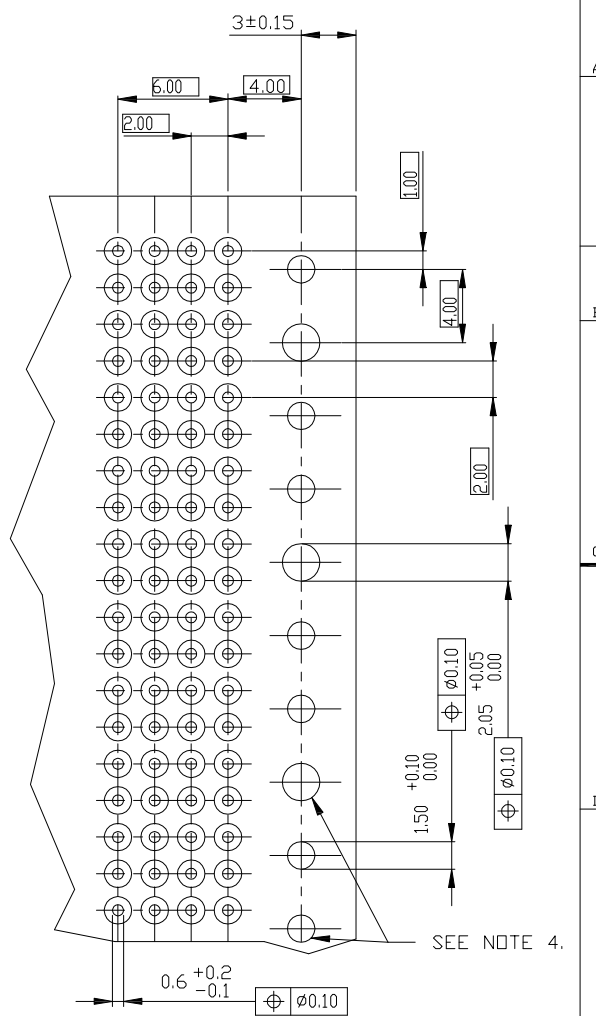
PRODUCT NR:	ROW#	CONFIGURATION																								DIM A	PCB THICKNESS
		1	2	3	4	5	6	7	8	9	10	11	12	13	14	15	16	17	18	19	20	21	22	23	24		
85869-X01	D	X	X	X	-	-	-	X	X	X	X	X	X	X	X	X	X	X	X	X	X	X	X	X	X	2.90	1.6
	C	X	X	X	-	-	X	X	X	X	X	X	X	X	X	X	X	X	X	X	X	X	X	X			
85869-X01LF	B	X	X	X	X	X	X	X	X	X	X	X	X	X	X	X	X	X	X	X	X	X	X	X	2.90	1.6	
	A	X	X	X	-	-	X	X	X	X	X	X	X	X	X	X	X	X	X	X	X	X	X				
85869-X02	D	X	X	-	X	X	-	X	X	-	-	X	X	-	X	X	-	X	X	X	X	X	X	X	2.90	1.6	
	C	X	X	-	X	X	-	X	X	-	-	X	X	-	X	X	-	X	X	X	X	X	X				
85869-X02LF	B	-	-	-	-	-	-	-	-	-	-	-	-	-	-	-	-	-	-	-	-	-	-	2.90	1.6		
	A	X	X	X	X	X	X	X	X	X	X	X	X	X	X	X	X	X	X	X	X	X	X				
85869-X03	D	-	X	-	-	-	X	-	X	-	-	X	-	X	X	-	X	-	X	-	X	-	X	2.90	1.6		
	C	X	-	-	-	X	-	X	-	-	X	-	X	X	-	X	-	X	-	X	-	X					
85869-X03LF	B	-	X	-	-	X	-	X	-	-	X	-	X	X	-	X	-	X	-	X	-	X	2.90	1.6			
	A	X	-	X	-	X	-	X	-	-	X	-	X	X	-	X	-	X	-	X	-	X					
85869-X04	D	-	X	-	X	-	X	-	X	-	-	X	-	X	X	-	X	-	X	-	X	-	X	2.90	1.6		
	C	X	-	-	X	X	-	X	-	-	X	-	X	X	-	X	-	X	-	X	-	X					
85869-X04LF	B	-	X	-	X	-	X	-	X	-	-	X	-	X	X	-	X	-	X	-	X	-	X	2.90	1.6		
	A	X	-	X	-	X	-	X	-	-	X	-	X	X	-	X	-	X	-	X	-	X					
85869-X05	D	-	X	-	X	-	X	-	X	-	-	X	-	X	X	-	X	-	X	-	X	-	X	2.90	1.6		
	C	X	-	-	X	X	-	X	-	-	X	-	X	X	-	X	-	X	-	X	-	X					
85869-X05LF	B	X	X	X	X	X	X	X	X	X	X	X	X	X	X	X	X	X	X	X	X	X	X	2.90	1.6		
	A	X	X	X	X	X	X	X	X	X	X	X	X	X	X	X	X	X	X	X	X	X					

PLATING CONTACT AREA:	
DASH NR:	PERFORMANCE LEVEL
-1YY/1YYLF	TELCORDIA CO
-2YY/2YYLF	CUSTOMER SPECIAL
-3YY/3YYLF	CUSTOMER SPECIAL



PRODUCT AFTER PC BOARD APPLICATION.

- NOTES:
- BODY MAT'L: LIQUID CRYSTAL POLYMER 30% GLASS  
FLAME RETARDANT ACC. UL 94-V0
  - TERMINAL MATERIAL: PHOSPHOR BRONZE.
  - PLATING SOLDER TAILS 2-8 um SnPb 90-97.  
OR 2-8 um PURE Sn FOR PART NUMBER WITH LF SUFFIX.
  - INDICATED HOLES ARE UNPLATED.
  - PRODUCT MARKING: PART NUMBER & BATCH ID.
  - DIAMOND LOCATION PEG ARE ONLY EXISTED ON THE BOTH SIDES OF PRODUCT.
  - THIS PRODUCT MEETS EUROPEAN UNION DIRECTIVES AND OTHER COUNTRY REGULATIONS AS DESCRIBED IN GS-22-008.
  - THE HOUSING WILL WITHSTAND EXPOSURE TO 260 DEGREE PEAK TEMPERATURE FOR 10 SECONDS IN A WAVE SOLDER APPLICATION.

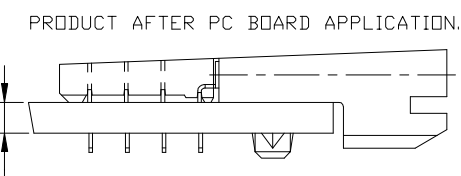
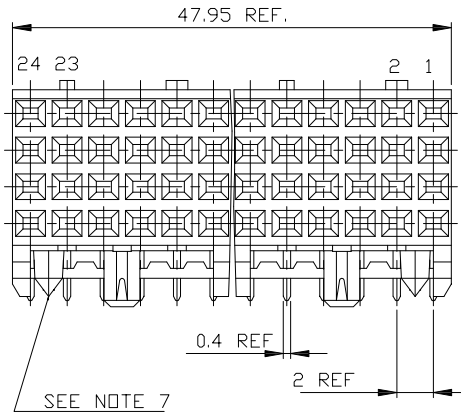
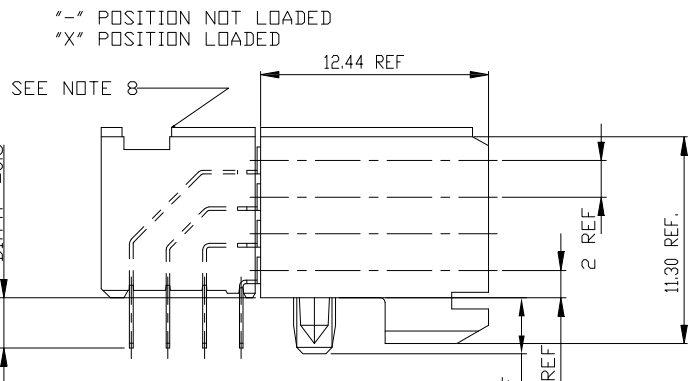
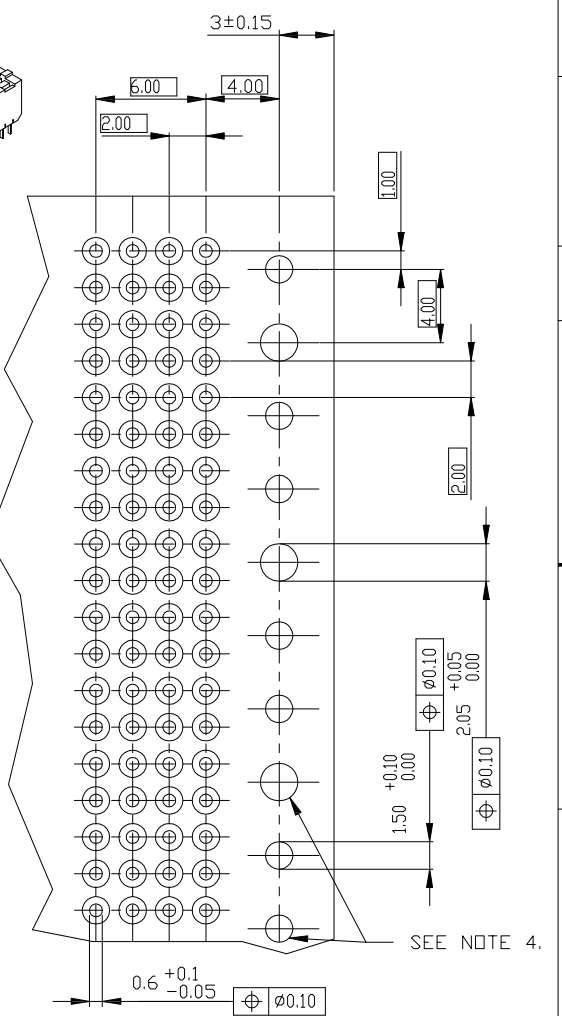
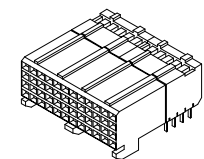


RECOMMENDED HOLE PATTERN, COMPONENT SIDE.

mat'l. code		tolerances unless otherwise specified		CUSTOMER CDPY		FCI	
SEE NOTES						www.fciconnection.com	
l	tr.ecn	n	o	d	a		
R	DG09-0068	CenH	06/06/09	linear		projection	title
K	D006-0478	CenH	11/23/06	angles		product family	code
L	DG07-0230	CenH	05/30/07	dir	R VISSCHERS	951017	size
M	DG07-0232	CenH	05/31/07	engr	P SCHALK	951017	dwg no
N	DG07-0169	CenH	6/08/07	chn	P SCHALK	951017	scale
P	DG08-0171	TER	8/26/08	app	P SCHALK	951017	5:1
sheet	revision	R	R				
index	sheet	1	2	3			
				title		RA RECEPTACLE	
				product family		METRAL(tm)	
				code		213	
				sheet		1 of 3	
				scale		A2 85869	

PRODUCT NR:	ROW#	CONFIGURATION																								DIM A	PCB THICKNESS
		1	2	3	4	5	6	7	8	9	10	11	12	13	14	15	16	17	18	19	20	21	22	23	24		
85869-X20	D	X	X	X	-	-	-	X	X	X	X	X	X	X	X	X	X	X	X	X	X	X	X	X	X	2.90	1.6
	C	X	X	X	X	X	X	X	X	X	X	X	X	X	X	X	X	X	X	X	X	X	X	X			
	B	X	X	X	X	X	X	X	X	X	X	X	X	X	X	X	X	X	X	X	X	X	X	X			
85869-X21	D	X	X	X	X	X	X	X	X	X	X	X	X	X	X	X	X	X	X	X	X	X	X	X	2.90	1.6	
	C	X	X	X	X	X	X	X	X	X	X	X	X	X	X	X	X	X	X	X	X	X	X				
	B	X	X	X	X	X	X	X	X	X	X	X	X	X	X	X	X	X	X	X	X	X	X				
85869-X22	D	X	X	X	X	X	X	X	X	X	X	X	X	X	X	X	X	X	X	X	X	X	X	X	2.90	1.6	
	C	X	X	X	X	X	X	X	X	X	X	X	X	X	X	X	X	X	X	X	X	X	X				
	B	X	X	X	X	X	X	X	X	X	X	X	X	X	X	X	X	X	X	X	X	X	X				
85869-X23	D	X	X	X	X	X	X	X	X	X	X	X	X	X	X	X	X	X	X	X	X	X	X	X	2.90	1.6	
	C	X	X	X	X	X	X	X	X	X	X	X	X	X	X	X	X	X	X	X	X	X	X				
	B	X	X	X	X	X	X	X	X	X	X	X	X	X	X	X	X	X	X	X	X	X	X				
85869-X24	D	X	X	X	X	X	X	X	X	X	X	X	X	X	X	X	X	X	X	X	X	X	X	X	2.90	1.6	
	C	X	X	X	X	X	X	X	X	X	X	X	X	X	X	X	X	X	X	X	X	X	X				
	B	X	X	X	X	X	X	X	X	X	X	X	X	X	X	X	X	X	X	X	X	X	X				
85869-X25	D	X	X	X	X	X	X	X	X	X	X	X	X	X	X	X	X	X	X	X	X	X	X	X	2.90	1.6	
	C	X	X	X	X	X	X	X	X	X	X	X	X	X	X	X	X	X	X	X	X	X	X				
	B	X	X	X	X	X	X	X	X	X	X	X	X	X	X	X	X	X	X	X	X	X	X				

PLATING CONTACT AREA:	
DASH NR:	PERFORMANCE LEVEL
-1YY/1YYLF	TELCORDIA CO
-2YY/2YYLF	CUSTOMER SPECIAL
-3YY/3YYLF	CUSTOMER SPECIAL



- NOTES:
- BODY MAT'L: LIQUID CRYSTAL POLYMER 30% GLASS  
FLAME RETARDANT ACC. UL 94-V0
  - TERMINAL MATERIAL: PHOSPHOR BRONZE.
  - PLATING SOLDER TAILS 2-8 μm SnPb 90-97.  
OR 2-8 μm PURE Sn FOR PART NUMBER WITH LF SUFFIX.
  - INDICATED HOLES ARE UNPLATED.
  - PRODUCT MARKING: PART NUMBER & BATCH ID.
  - SET BACK FOR PRESS BLOCK
  - DIAMOND LOCATION PEG ARE ONLY EXISTED ON THE BOTH SIDES OF PRODUCT.
  - TOP SURFACE OF PRESS BLOCK MAY EXTEND UP TO 0.4MM HIGHER THAN HOUSING. THIS MAY AFFECT THE TAIL LENGTH BEFORE APPLICATION TO A BOARD
  - THIS PRODUCT MEETS EUROPEAN UNION DIRECTIVES AND OTHER COUNTRY REGULATIONS AS DESCRIBED IN GS-22-008
  - THE HOUSING WILL WITHSTAND EXPOSURE TO 245 DEGREE PEAK TEMPERATURE FOR 10 SECONDS IN A WAVE SOLDER APPLICATION.

RECOMMENDED HOLE PATTERN, COMPONENT SIDE.

mat'l code	SEE NOTES	tolerances unless otherwise specified	CUSTOMER CDPY		title RA RECEPTACLE SIG48mm PRESS PEG
ltr/ecn no	dr/date	linear	projection		
R		angles	mm	product family	METRAL(tm)
		dr H. Mengede 990525		code	213
		engr M. Lonan 990525		sheet	2 of -
		chr M. Lonan 990525	scale 5:1	size	A2
		app M. Lonan 990525		part no	85869
sheet index	revision sheet				

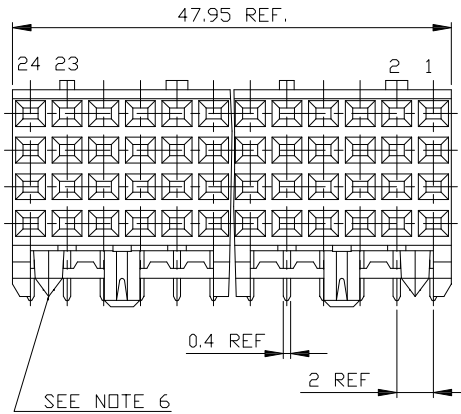
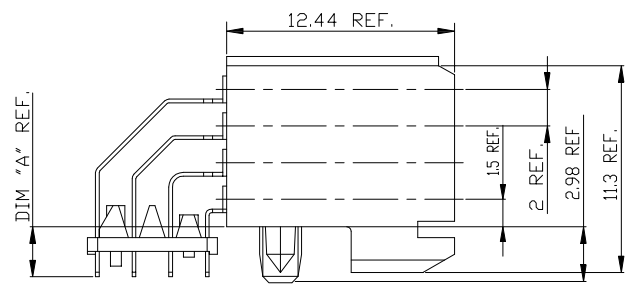
All rights strictly reserved. Reproduction or use in any form without written authority from the proprietor. Property of F.C.I. Inc. © F.C.I. Inc.

All rights strictly reserved. Reproduction or use in any form without written authority from the proprietor.  
 Tous droits strictement réservés. Reproduction ou utilisation sans autorisation écrite du propriétaire.  
 Property of F.C.I. S.A.  
 © F.C.I. S.A.

PRODUCT NR:	ROW#	CONFIGURATION																								DIM A	PCB THICKNESS
		1	2	3	4	5	6	7	8	9	10	11	12	13	14	15	16	17	18	19	20	21	22	23	24		
85869-X30	D	X	X	X	-	-	-	X	X	X	X	X	X	X	X	X	X	X	X	X	X	X	X	X	X	2.90	1.6
	C	X	X	X	-	-	X	X	X	X	X	X	X	X	X	X	X	X	X	X	X	X	X	X	X		
85869-X31	B	X	X	X	X	X	X	X	X	X	X	X	X	X	X	X	X	X	X	X	X	X	X	X	X	2.90	1.6
	A	X	X	X	-	-	X	X	X	X	X	X	X	X	X	X	X	X	X	X	X	X	X	X	X		
85869-X32	D	X	X	-	X	X	-	X	X	-	-	X	X	-	X	X	-	X	X	X	X	X	X	X	X	2.90	1.6
	C	X	X	-	X	X	-	X	X	-	-	X	X	-	X	X	-	X	X	X	X	X	X	X	X		
85869-X33	B	X	X	-	X	X	-	X	X	-	-	X	X	-	X	X	-	X	X	X	X	X	X	X	X	2.90	1.6
	A	X	X	-	X	X	-	X	X	-	-	X	X	-	X	X	-	X	X	X	X	X	X	X	X		
85869-X34	D	X	X	-	X	X	-	X	X	-	-	X	X	-	X	X	-	X	X	X	X	X	X	X	X	2.90	1.6
	C	X	X	-	X	X	-	X	X	-	-	X	X	-	X	X	-	X	X	X	X	X	X	X	X		

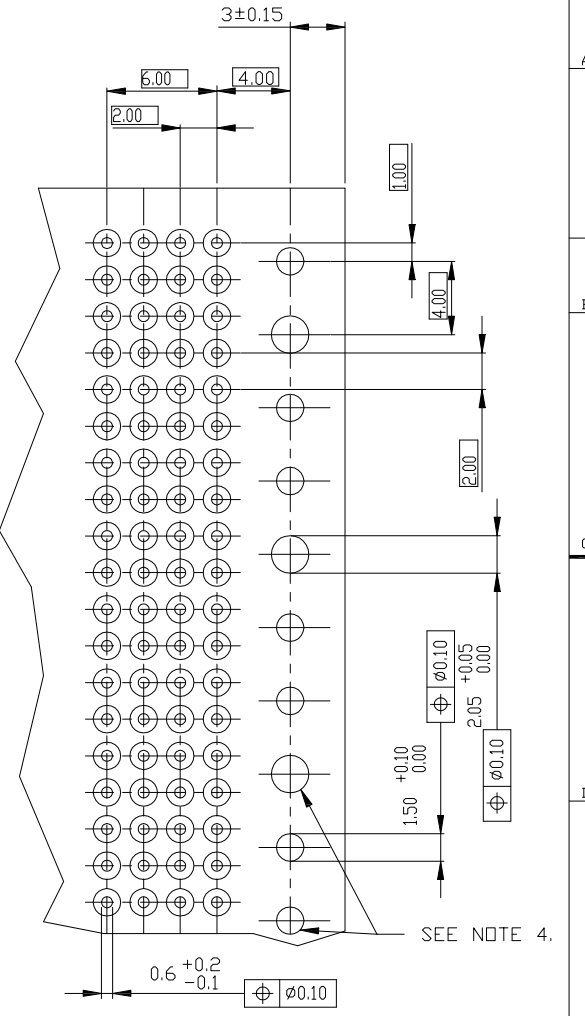
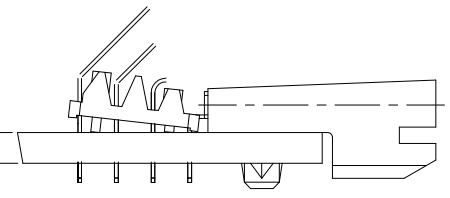
PLATING CONTACT AREA:	
DASH NR:	PERFORMANCE LEVEL
-1YY/1YYLF	TELCORDIA CO
-2YY/2YYLF	CUSTOMER SPECIAL
-3YY/3YYLF	CUSTOMER SPECIAL

"-" POSITION NOT LOADED  
 "X" POSITION LOADED



PRODUCT AFTER PC BOARD APPLICATION.

PC BOARD THICKNESS ±0.20  
SEE TABLE



RECOMMENDED HOLE PATTERN, COMPONENT SIDE.

- NOTES:
- BODY MAT'L: LIQUID CRYSTAL POLYMER 30% GLASS  
FLAME RETARDANT ACC. UL 94-V0
  - TERMINAL MATERIAL: PHOSPHOR BRONZE.
  - PLATING SOLDER TAILS 2-8 um SnPb 90-97.  
OR 2-8 um PURE Sn FOR PART NUMBER WITH LF SUFFIX.
  - INDICATED HOLES ARE UNPLATED.
  - PRODUCT MARKING: PART NUMBER & BATCH ID.
  - DIAMOND LOCATION PEG ARE ONLY EXISTED ON THE BOTH SIDES OF PRODUCT.
  - THIS PRODUCT MEETS EUROPEAN UNION DIRECTIVES AND OTHER COUNTRY REGULATIONS AS DESCRIBED IN GS-22-008.
  - THE HOUSING WILL WITHSTAND EXPOSURE TO 260 DEGREE PEAK TEMPERATURE FOR 10 SECONDS IN A WAVE SOLDER APPLICATION.

mat'l. code	tolerances unless otherwise specified	CUSTOMER CDPY	
SEE NOTES			
ltr/ecn no/dt	linear	projection	title
	angles		RA RECEPTACLE SIG48mm PRESS PEG
dr Heaven Cen 11/23/06		mm	product family METRAL(tm)
engr Collins Lu 11/23/06		scale	code
chr Beer Fu 11/23/06		5:1	213
app Joseph Hsia 11/23/06			sheet
sheet	revision		3 of -
index	sheet		