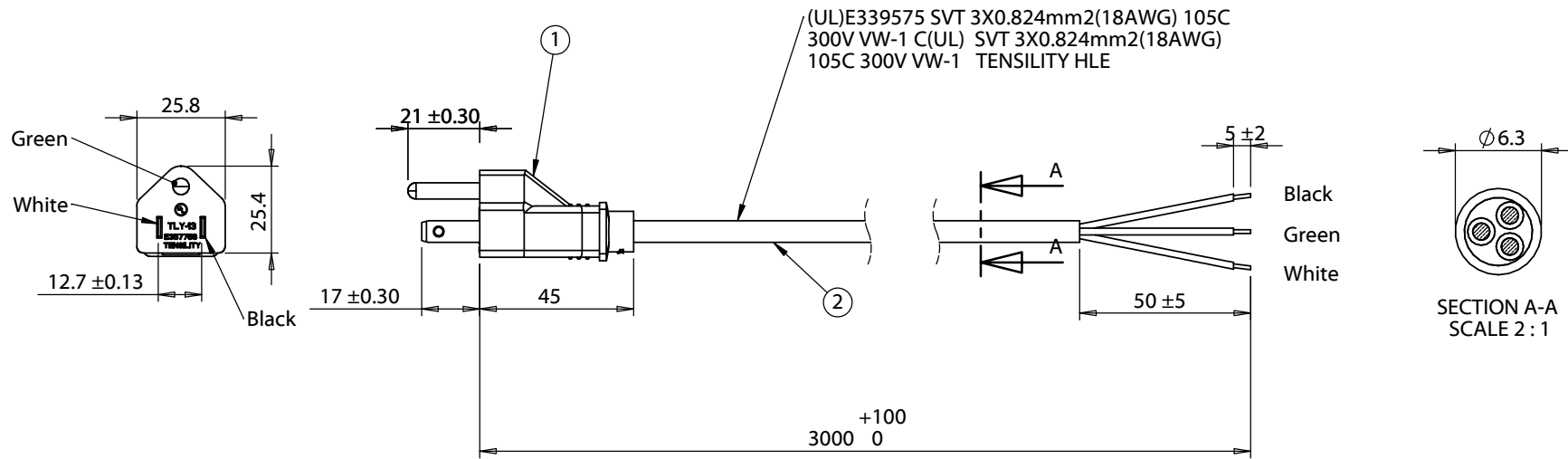


ITEM NO.	PART NUMBER	DESCRIPTION	QTY.	NOTES
1	TLY-13	NEMA 5-15P	1	black overmold
2	30-00244	3C, 18 AWG, UL SVT, 300V, 105°C, 6.3 mm, VW-1, PVC	1	terminates to stripped and tinned



Revision	Date	Description	Prepared by:	Notes: Rated for 10 A at 125 Vac as is. RoHS, REACH and Dodd-Frank conflict materials compliant Function test: no open, no reversed polarity, no short circuit, no INT	<h1>TENSILITY</h1> <p>20802 Sockeye Place #130 Bend, OR 97701 USA tel 541.323.3228 fax 541.323.4202 800 877.670.7118 www.tensility.com</p>		
A	8/27/2014	Initial release	Verified by:				
					SIZE A	Part number 11-00076	
					SCALE: 1:2	WEIGHT:	SHEET 1 OF 1