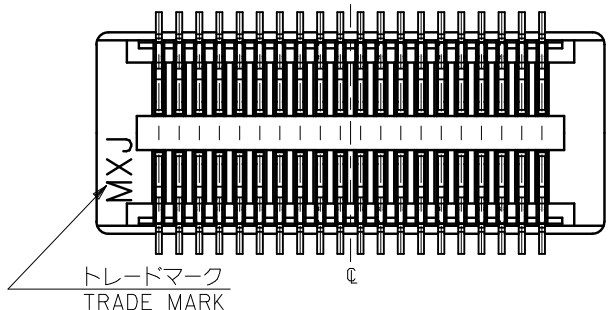


参考基板レイアウト (マウント面)
P.C.BOARD PATTERN
DIMENSION. (REF.)
(MOUNTING AREA)

30極以下品形状
SHAPE OF 30 CIRCUITS OR LESS

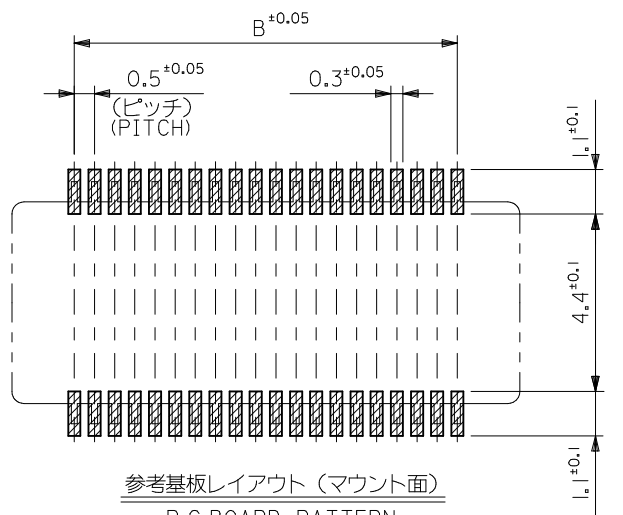
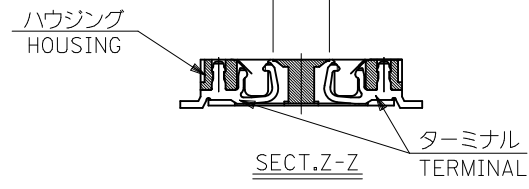
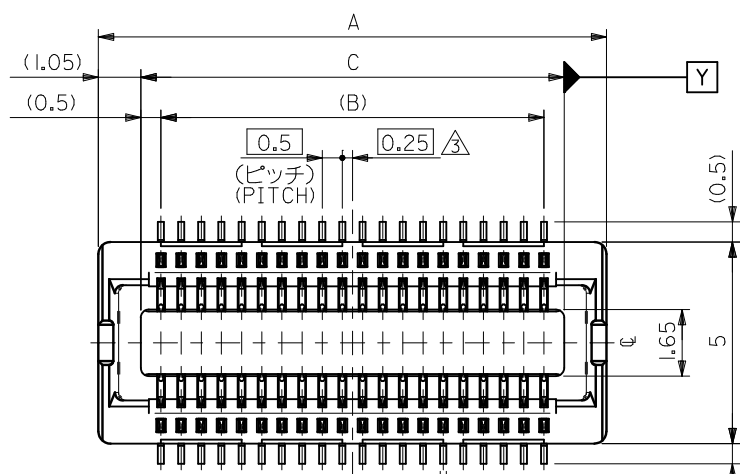


- 注記 NOTES:
1. 使用材料 MATERIAL
ハウジング: 液晶ポリマー ガラス充填, UL94V-0 (黒)
HOUSING: LIQUID CRYSTAL POLYMER (GLASS FILLED)
UL94V-0, (COLOR: BLACK)
ターミナル: リン青銅 (t=0.15)
TERMINAL: PHOSPHOR BRONZE (t=0.15)
 2. メッキ仕様 PLATING
金メッキ 0.25 MICROMETER MINIMUM (コンタクト部)
GOLD 0.25 MICROMETER MINIMUM. (CONTACT AREA)
金メッキ 0.4 MICROMETER MAXIMUM (テール部)
GOLD 0.4 MICROMETER MAXIMUM. (TAIL AREA)
下地メッキ: ニッケルメッキ 1.5 MICROMETER MINIMUM
UNDER PLATING: NICKEL 1.5 MICROMETER MINIMUM

- △ (全極数/2) = 偶数の場合に適用。
APPLY FOR (CIRCUIT/2) = EVEN.
4 嵌合相手: 55560 シリーズ, 53794 シリーズ
MATE WITH: 55560 SERIES, 53794 SERIES.
5 テール平坦度は 0.1 MAXIMUM.
TAIL COPLANARITY TO BE 0.1 MAXIMUM.

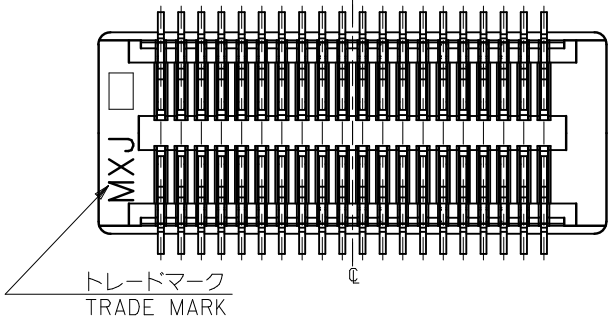
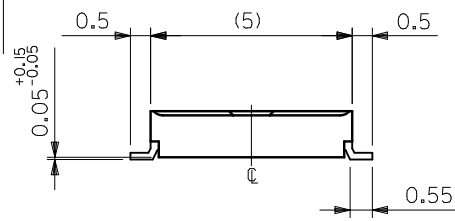
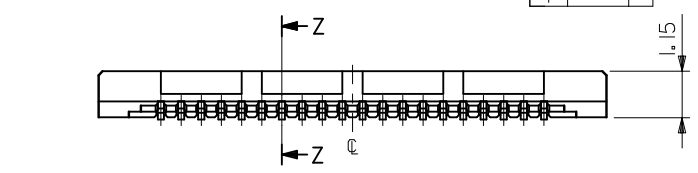
8.0	7.0	10.1	54722-0301	30
6.5	5.5	8.6	54722-0241	24
6.0	5.0	8.1	54722-0221	22
5.5	4.5	7.6	54722-0201	20
4.5	3.5	6.6	54722-0161	16
C	B	A	MATERIAL. NO	極数 CIRCUIT

REVISED EC NO: J2010-1532 DRW: KYAMANE 2010/02/01 CHKD: SARUYAMA 2010/02/01 APPR: MSASAO 2010/02/01	GENERAL TOLERANCES (UNLESS SPECIFIED)		DIMENSION STYLE MM ONLY		SCALE ---	DESIGN UNITS METRIC	THIRD ANGLE PROJECTION
	10 UNDER	±0.20	DRAWN BY S. AIHARA	DATE 2000/10/05	TITLE 0.5 B-TO-B CONN REC HOUSING ASSY (HGT=1.5) (SHEET 1 OF 2)		
	10 OVER 30 UNDER	±0.25	CHECKED BY T. ITO	DATE 2000/10/05	MOLEX INCORPORATED		
	30 OVER	±0.3	APPROVED BY M. FUKUSHIMA	DATE 2000/10/05	DOCUMENT NO. SD-54722-007	SHEET NO. 1 OF 2	
	ANGULAR ±3 °	DRAFT WHERE APPLICABLE MUST REMAIN WITHIN DIMENSIONS		SEE CHART			
		THIS DRAWING CONTAINS INFORMATION THAT IS PROPRIETARY TO MOLEX INCORPORATED AND SHOULD NOT BE USED WITHOUT WRITTEN PERMISSION					



参考基板レイアウト (マウント面)
P.C.BOARD PATTERN
DIMENSION. (REF.)
(MOUNTING AREA)

34極以上品形状
SHAPE OF 34CIRCUITS OR MORE



注記 NOTES:

1. 使用材料 MATERIAL
ハウジング: 液晶ポリマー ガラス充填, UL94V-0 (黒)
HOUSING: LIQUID CRYSTAL POLYMER (GLASS FILLED)
UL94V-0, (COLOR: BLACK)
ターミナル: リン青銅 (t=0.15)
TERMINAL: PHOSPHOR BRONZE (t=0.15)
2. メッキ仕様 PLATING
金メッキ 0.25 MICROMETER MINIMUM (コンタクト部)
GOLD 0.25 MICROMETER MINIMUM. (CONTACT AREA)
金メッキ 0.4 MICROMETER MAXIMUM (テール部)
GOLD 0.4 MICROMETER MAXIMUM. (TAIL AREA)
下地メッキ: ニッケルメッキ 1.5 MICROMETER MINIMUM
UNDER PLATING : NICKEL 1.5 MICROMETER MINIMUM

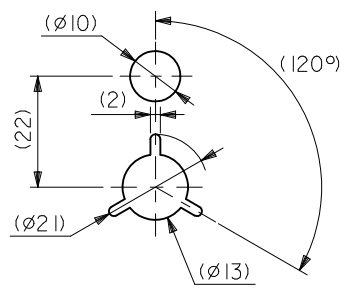
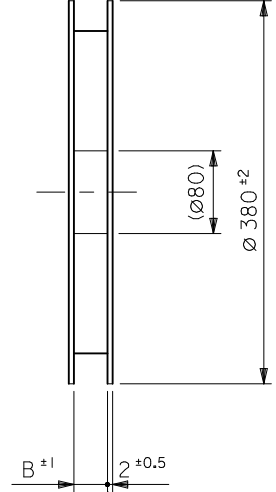
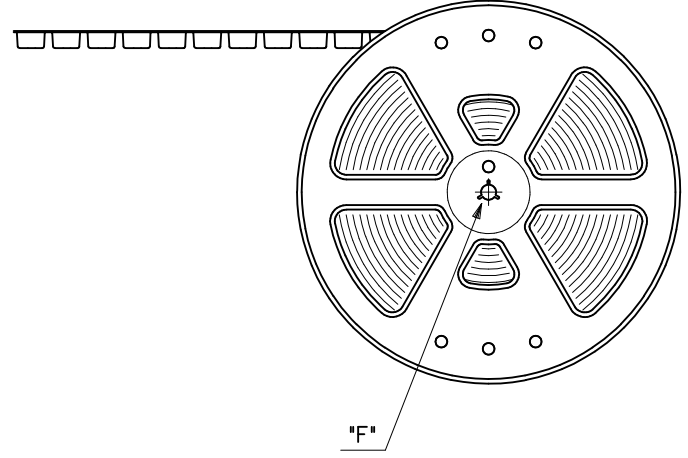
- △ (全極数/2) = 偶数の場合に適用。
APPLY FOR (CIRCUIT/2) = EVEN.
4 嵌合相手: 55560 シリーズ, 53794 シリーズ
MATE WITH : 55560 SERIES, 53794 SERIES.
5 テール平坦度は 0.1 MAXIMUM.
TAIL COPLANARITY TO BE 0.1 MAXIMUM.

20.5	19.5	22.6	54722-0801	80
15.5	14.5	17.6	54722-0601	60
13.0	12.0	15.1	54722-0501	50
10.5	9.5	12.6	54722-0401	40
9.0	8.0	11.1	54722-0341	34
C	B	A	MATERIAL. NO	極数 CIRCUIT

MODEL NO. 54722-***1

SEE SHEET 1 OF 2 EC NO: J2010-1532 DRW: KYAMANE 2010/02/01 CHKD: SHARUYAMA 2010/02/01 APPR: MASASAO 2010/02/01	GENERAL TOLERANCES (UNLESS SPECIFIED)		DIMENSION STYLE MM ONLY		SCALE ---	DESIGN UNITS METRIC	THIRD ANGLE PROJECTION	
	10 UNDER	±0.20	DRAWN BY S. AIHARA	DATE 2001/02/13	TITLE 0.5 B-TO-B CONN REC HOUSING ASSY (HGT=1.5) (SHEET 2 OF 2)			
	10 OVER 30 UNDER	±0.25	CHECKED BY T. ITO	DATE 2001/02/13	MOLEX INCORPORATED			
	30 OVER	±0.3	APPROVED BY M. FUKUSHIMA	DATE 2001/02/13	DOCUMENT NO. SD-54722-007	SHEET NO. 2 OF 2		
	ANGULAR ±3 °	DRAFT WHERE APPLICABLE MUST REMAIN WITHIN DIMENSIONS		SEE CHART		THIS DRAWING CONTAINS INFORMATION THAT IS PROPRIETARY TO MOLEX INCORPORATED AND SHOULD NOT BE USED WITHOUT WRITTEN PERMISSION		

引き出し方向
←
PULL OUT
DIRECTION

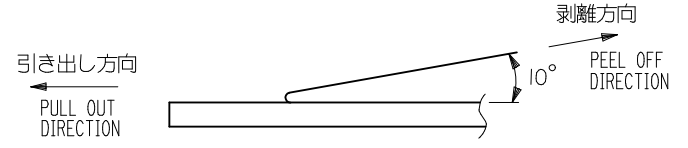
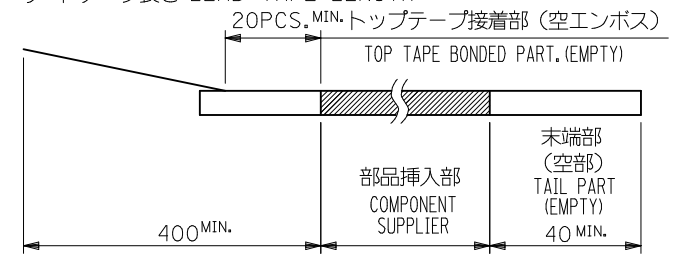


DETAIL "F"

注記 NOTES

- 製品詳細寸法については図面 SD-54722-007 を参照下さい。
RE DETAILED DIMENSION, SEE SD-54722-007
- 梱包数量：3000個/リール
NUMBER OF CONNECTORS : 3000PCS/REEL
- リードテープ長さ LEAD TAPE LENGTH
20PCS. MIN. トップテープ接着部 (空エンボス)
TOP TAPE BONDED PART. (EMPTY)
部品挿入部
COMPONENT
SUPPLIER
末端部
(空部)
TAIL PART
(EMPTY)
40 MIN.
- トップテープの剥離強度：0.1N ~ 0.7N (10.2gf ~ 71.4gf)
(剥離方向は下図参照)
尚、本規格値は出荷時に適用。(但し、輸送時に剥離が発生しないこと。)
PEELING OFF FORCE OF TOP TAPE : 0.1N ~ 0.7N (10.2gf ~ 71.4gf)
(PEELING DIRECTION AS SHOWN IN FOLLOWING FIG.)
THIS REQUIREMENT SHOULD BE APPLIED AT SHIPMENT.
PEEL OFF SHOULD NOT BE ALLOWED , DURING TRANSPORTATION.

引き出し方向
←
PULL OUT
DIRECTION

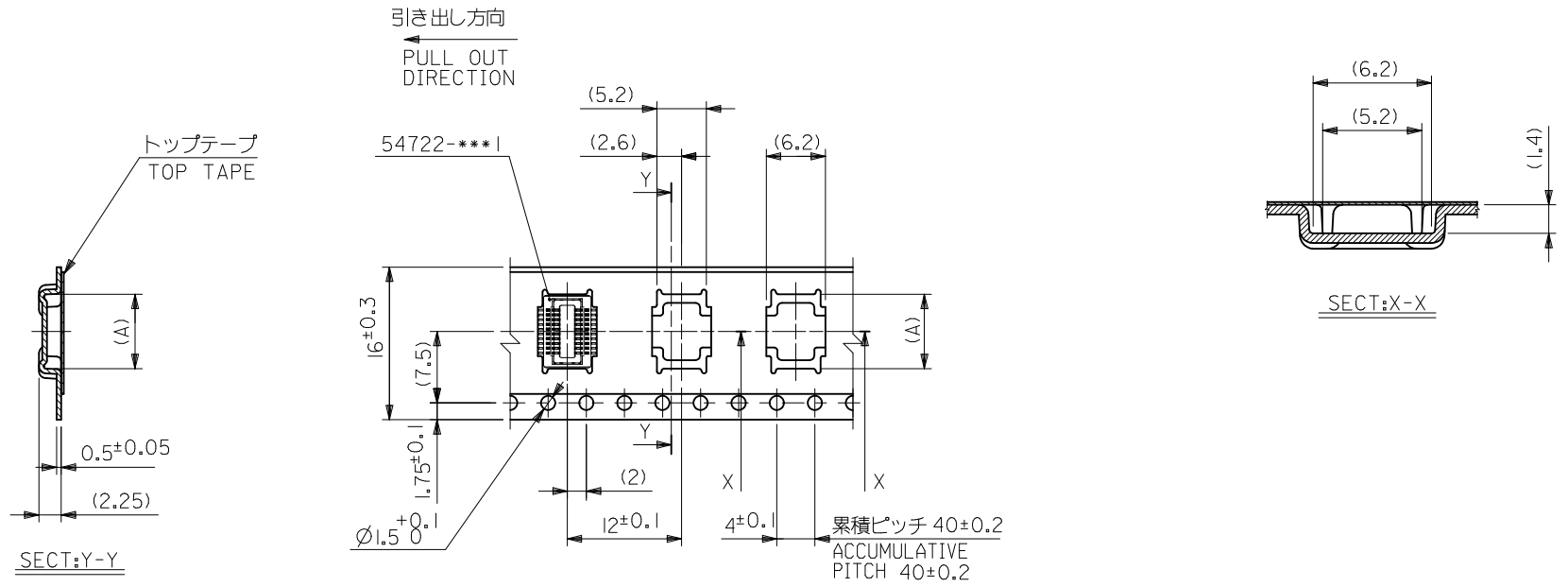


- 材料
キャリアテープ：ポリプロピレン (PP)
トップテープ：PET, PE, PEF
リール：ポリスチレン (PS) <リサイクル材を含む>

MATERIAL CARRIER TAPE: POLYPROPYLENE
TOP TAPE: PET, PE, PEF
REEL: POLYSTYRENE (PS)
<RECYCLE MATERIAL CONTAINED>

MODEL NO. 54722-***7

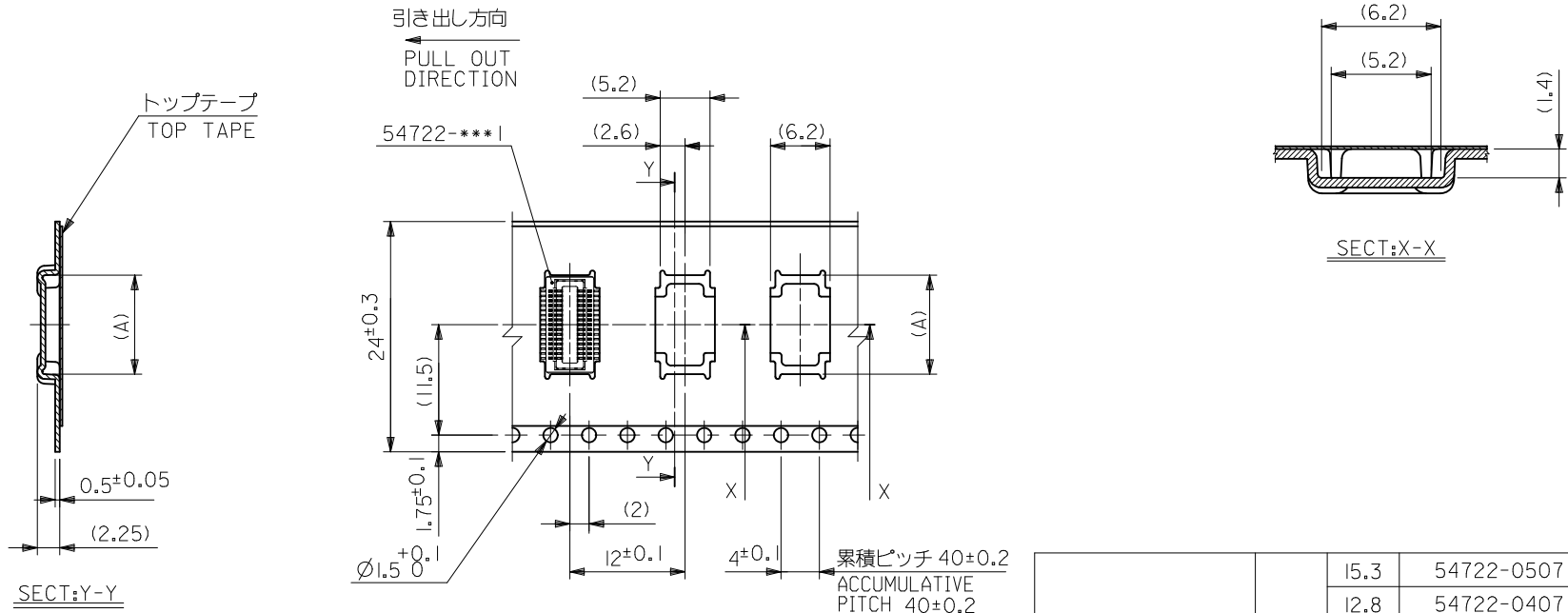
REVISED EC NO: J2010-1532 DRWK:YAMANE 2010/02/01 CHKD:SMARUYAMA 2010/02/01 APPR:MSASAO 2010/02/01	GENERAL TOLERANCES (UNLESS SPECIFIED)		DIMENSION STYLE MM ONLY		SCALE ---	DESIGN UNITS METRIC	THIRD ANGLE PROJECTION
	10 UNDER	± 0.20	DRAWN BY S. AIHARA	DATE 2000/10/06	TITLE 0.5 B-T-O-B CONN REC ASSY (HGT=1.5) EMBSTP PKG (SHEET 1 OF 5)		
	10 OVER 30 UNDER	± 0.25	CHECKED BY T. ITO	DATE 2000/10/06	MOLEX INCORPORATED		
	30 OVER	± 0.3	APPROVED BY M. FUKUSHIMA	DATE 2000/10/06	DOCUMENT NO. SD-54722-008	SHEET NO. 1 OF 5	
	ANGULAR ± 3 °		MATERIAL NO. SEE CHART		THIS DRAWING CONTAINS INFORMATION THAT IS PROPRIETARY TO MOLEX INCORPORATED AND SHOULD NOT BE USED WITHOUT WRITTEN PERMISSION		
	DRAFT WHERE APPLICABLE MUST REMAIN WITHIN DIMENSIONS						



16mm幅キャリアテープ
16mm WIDTH CARRIER TAPE

16	17.5	7.8	54722-0207	20
キャリアテープ幅 CARRIER TAPE WIDTH	B	(A)	MATERIAL NO.	極数 CIRCUIT

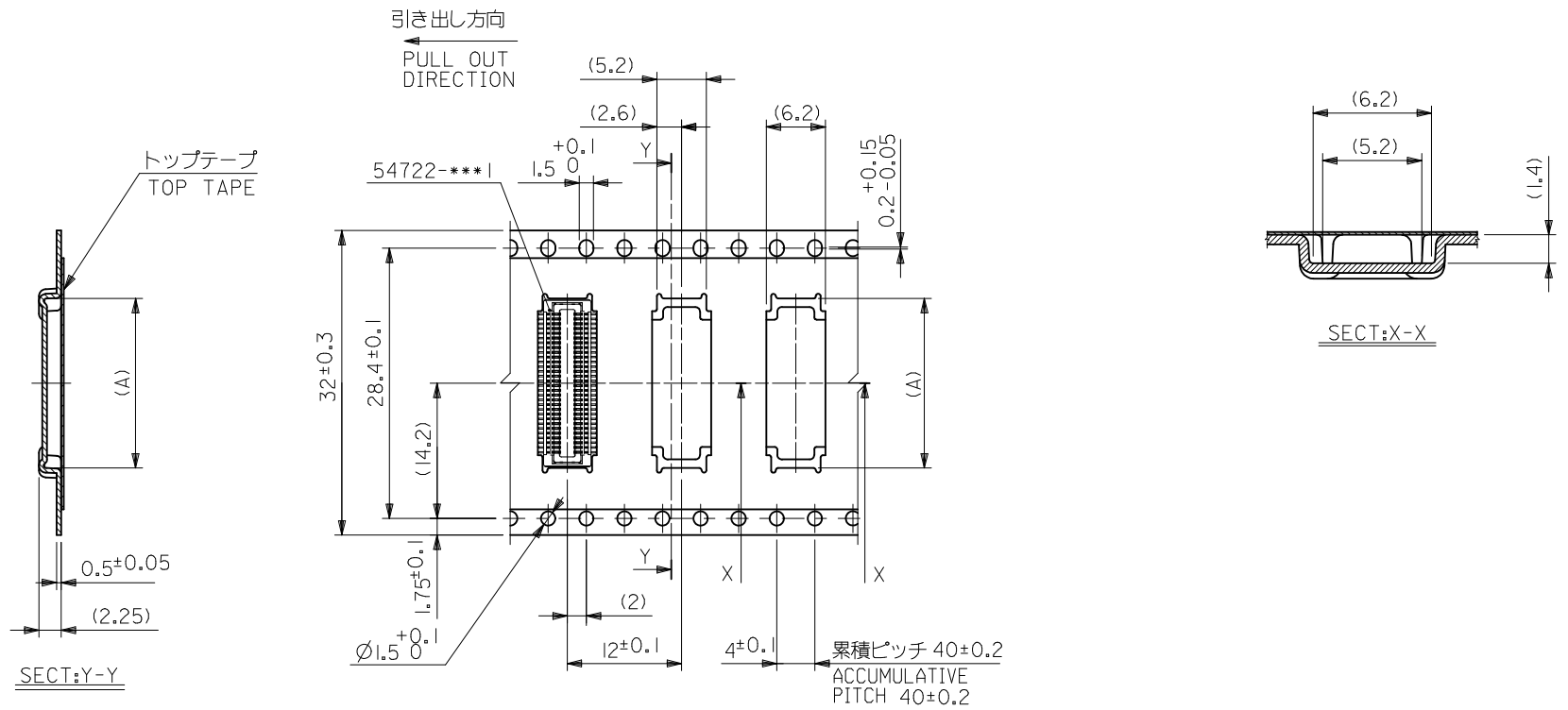
SEE SHEET 1 OF 5 EC NO: J2010-1532 DRW: KYAMANE 2010/02/01 CHK: D: SMARUYAMA 2010/02/01 APPR: MSASAO 2010/02/01	GENERAL TOLERANCES (UNLESS SPECIFIED)		DIMENSION STYLE MM ONLY		SCALE ---		MODEL NO. 54722-***7	
	10 UNDER	±0.20	DRAWN BY	DATE	TITLE			
	10 OVER 30 UNDER	±0.25	S. AIHARA	2000/10/06	0.5 B-T0-B CONN REC ASSY (HGT=1.5) EMBSTP PKG (SHEET 2 OF 5)			
	30 OVER	±0.3	T. ITO	2000/10/06	MOLEX INCORPORATED			
ANGULAR	±3 °	APPROVED BY	DATE	MATERIAL NO.		DOCUMENT NO.		SHEET NO.
DRAFT WHERE APPLICABLE MUST REMAIN WITHIN DIMENSIONS		M. FUKUSHIMA	2000/10/06	SEE CHART		SD-54722-008		2 OF 5
		THIS DRAWING CONTAINS INFORMATION THAT IS PROPRIETARY TO MOLEX INCORPORATED AND SHOULD NOT BE USED WITHOUT WRITTEN PERMISSION						



24mm幅キャリアテープ
24mm WIDTH CARRIER TAPE

24	25.5	15.3	54722-0507	50
		12.8	54722-0407	40
		11.3	54722-0347	34
		10.3	54722-0307	30
		8.8	54722-0247	24
		8.3	54722-0227	22
キャリアテープ幅 CARRIER TAPE WIDTH	B	(A)	MATERIAL NO.	極数 CIRCUIT

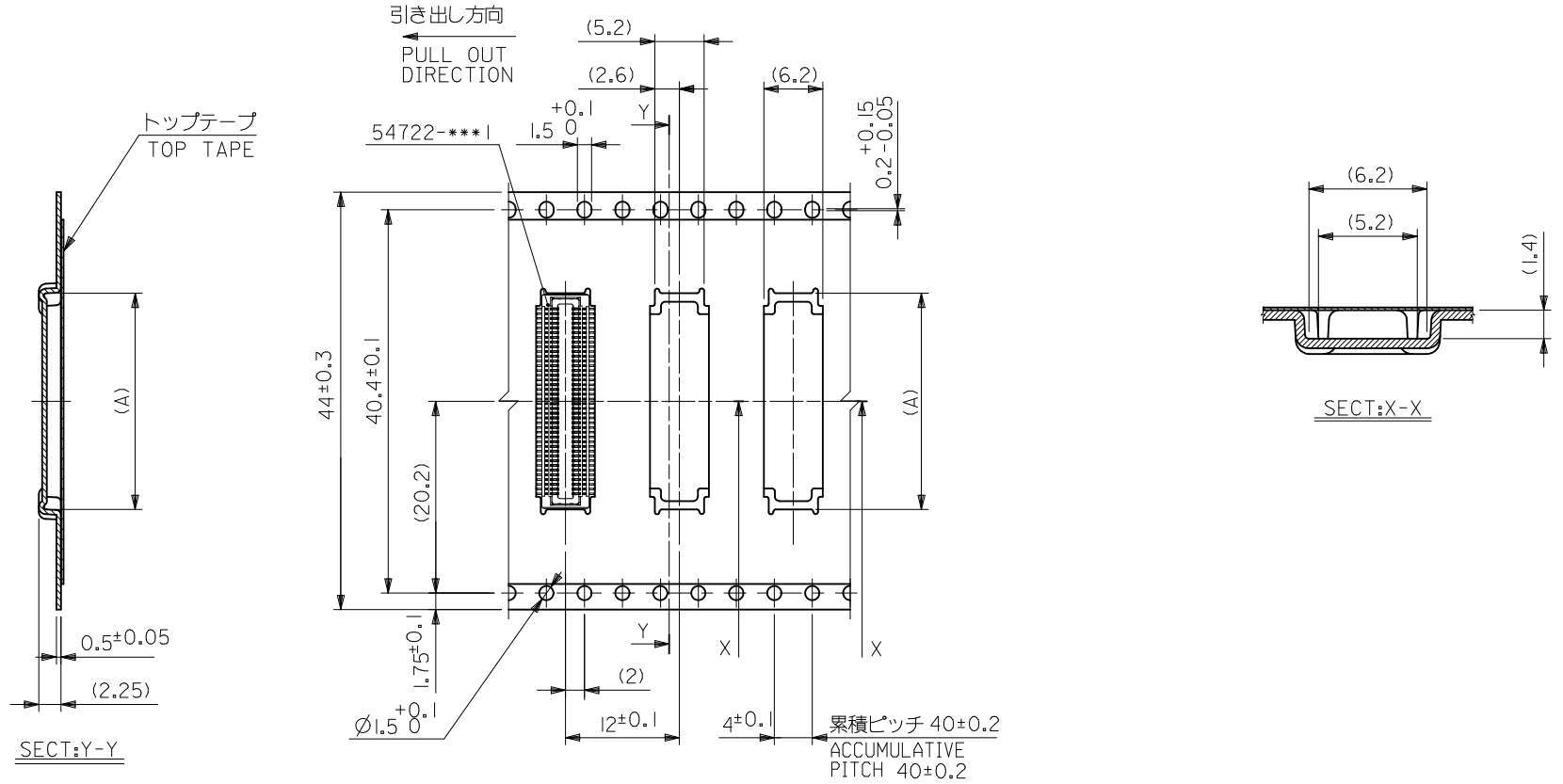
SEE SHEET 1 OF 5 EC NO.: J2010-1532 DRW: KYAMANE 2010/02/01 CHK'D: SMARUYAMA 2010/02/01 APPR: MSASAO 2010/02/01	GENERAL TOLERANCES (UNLESS SPECIFIED)		DIMENSION STYLE MM ONLY		SCALE ---		DESIGN UNITS METRIC		MODEL NO. 54722-***7 THIRD ANGLE PROJECTION	
	10 UNDER	±0.20	DRAWN BY S. AIHARA DATE 2000/10/06		TITLE 0.5 B-T0-B CONN REC ASSY (HGT=1.5) EMBSTP PKG (SHEET 3 OF 5)					
	10 OVER 30 UNDER	±0.25	CHECKED BY T. ITO DATE 2000/10/06		MOLEX INCORPORATED					
	30 OVER	±0.3	APPROVED BY M. FUKUSHIMA DATE 2000/10/06		DOCUMENT NO. SD-54722-008		SHEET NO. 3 OF 5			
J	REVISION	ANGULAR ±3 ° DRAFT WHERE APPLICABLE MUST REMAIN WITHIN DIMENSIONS		SEE CHART		THIS DRAWING CONTAINS INFORMATION THAT IS PROPRIETARY TO MOLEX INCORPORATED AND SHOULD NOT BE USED WITHOUT WRITTEN PERMISSION				



32mm幅キャリアテープ
32mm WIDTH CARRIER TAPE

32	33.5	17.8	54722-0607	60
キャリアテープ幅 CARRIER TAPE WIDTH	B	(A)	MATERIAL NO.	極数 CIRCUIT

SEE SHEET 1 OF 5 EC NO.: J2010-1532 DRW: KYAMANE 2010/02/01 CH'KD: SMARUYAMA 2010/02/01 APPR: MSASAO 2010/02/01	GENERAL TOLERANCES (UNLESS SPECIFIED)		DIMENSION STYLE MM ONLY		SCALE ---		MODEL NO. 54722-***7		
	10 UNDER	±0.20	DRAWN BY T. YASUI DATE 2002/11/25		TITLE 0.5 B-TO-B CONN REC ASSY (HGT=1.5) EMBSTP PKG (SHEET 4 OF 5)				
	10 OVER 30 UNDER	±0.25	CHECKED BY T. ITO DATE 2002/11/25		MOLEX INCORPORATED				
	30 OVER	±0.3	APPROVED BY T. YAMAGUCHI DATE 2002/11/25		DOCUMENT NO. SD-54722-008		SHEET NO. 4 OF 5		
J	REV	ANGULAR ±3 ° DRAFT WHERE APPLICABLE MUST REMAIN WITHIN DIMENSIONS		SEE CHART		THIS DRAWING CONTAINS INFORMATION THAT IS PROPRIETARY TO MOLEX INCORPORATED AND SHOULD NOT BE USED WITHOUT WRITTEN PERMISSION			



44mm幅キャリアテープ
44mm WIDTH CARRIER TAPE

44	45.5	22.8	54722-0807	80
キャリアテープ幅 CARRIER TAPE WIDTH	B	(A)	MATERIAL NO.	極数 CIRCUIT

SEE SHEET 1 OF 5 EC NO: J2010-1532 DRW: KYAMANE 2010/02/01 CHK: SMARUYAMA 2010/02/01 APPR: MASAO 2010/02/01	GENERAL TOLERANCES (UNLESS SPECIFIED)		DIMENSION STYLE MM ONLY		SCALE ---		MODEL NO. 54722-***7 DESIGN UNITS METRIC		THIRD ANGLE PROJECTION	
	10 UNDER	±0.20	DRAWN BY T. YASUI		DATE 2002/03/06		TITLE 0.5 B-TO-B CONN REC ASSY (HGT=1.5) EMBSTP PKG (SHEET 5 OF 5)			
	10 OVER 30 UNDER	±0.25	CHECKED BY T. ITO		DATE 2002/03/06					
	30 OVER	±0.3	APPROVED BY T. YAMAGUCHI		DATE 2002/03/06		MOLEX INCORPORATED		DOCUMENT NO. SD-54722-008	
ANGULAR ±3 ° DRAFT WHERE APPLICABLE MUST REMAIN WITHIN DIMENSIONS		SEE CHART		MATERIAL NO.		SHEET NO. 5 OF 5				