

4

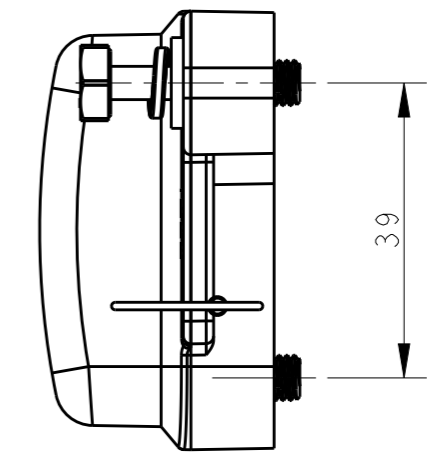
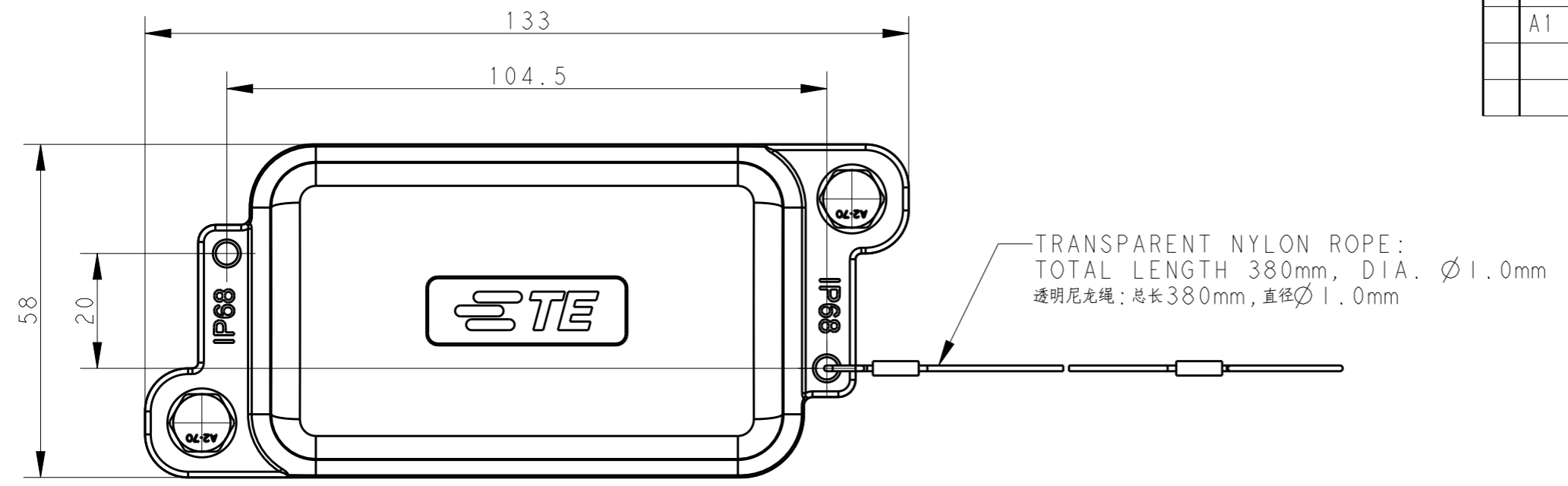
3

2

1

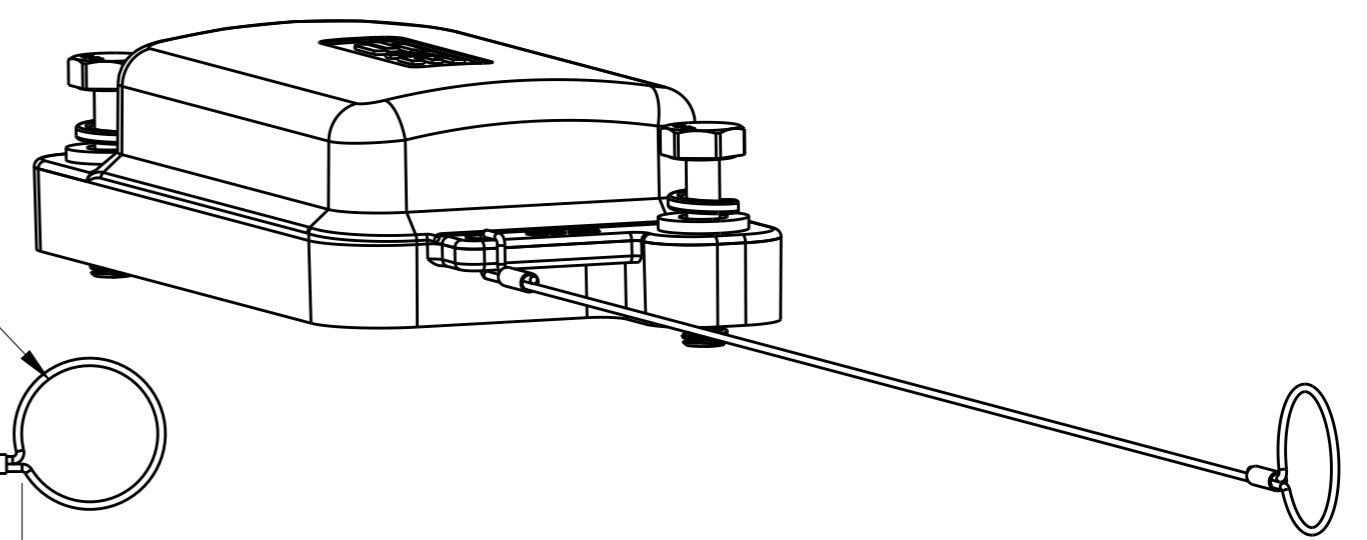
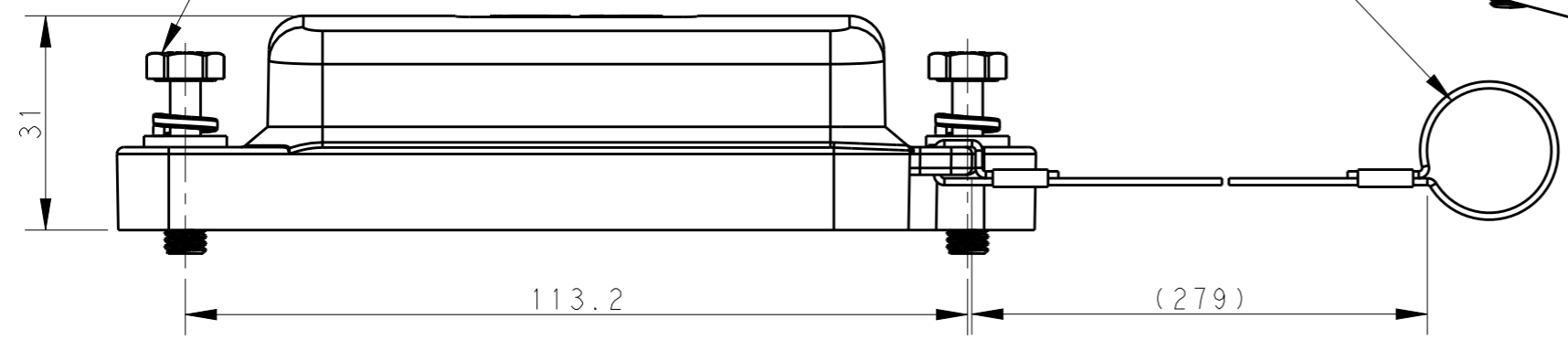
THIS DRAWING IS UNPUBLISHED. RELEASED FOR PUBLICATION 20  
 © COPYRIGHT 20 BY - ALL RIGHTS RESERVED.

REVISIONS					
P	LTR	DESCRIPTION	DATE	DWN	APVD
	A	INITIAL RELEASE	22OCT2016	DW	CW
	A1	ECR-17-008404	10JUN2017	CH	CW



LOOP SIZE DEFAULT VALUE DIA.  $\phi$  18,  
 UNLESS HAVE SPECIAL REQUIREMENT.  
 套圈大小默认值直径是 $\phi$  18, 除非有特别要求.


2XM6 SCREW, RECOMMENDED TIGHTENING TORQUE 4.0Nm  
 2XM6 螺丝, 推荐锁紧扭矩4.0Nm



NOTES:  
 I. TECHNICAL CHARACTERISTICS:  
 COVER MATERIAL: DIE CAST ALUMINIUM ALLOY  
 SURFACE TREATMENT: SEE TABLE

注释  
 I. 技术参数:  
 壳体材料: 铝合金  
 表面处理: 见表格

T1990060000-009	H6BPR-KDBM-EMC-C	H6BPR HOUSING METAL PROTECTION COVER, DIAGONAL LOCKING, NYLON ROPE, PASSIVATION+POWDER COATED, BLACK / H6BPR对角锁定金属保护盖, 尼龙绳, 钝化+黑色粉末喷涂
PART NUMBER 料号	PART DESCRIPTION 描述	

THIS DRAWING IS A CONTROLLED DOCUMENT.		DWN 22OCT2016 DAVID.WANG	 TE Connectivity	
DIMENSIONS: mm		CHK 22OCT2016 CHRIS.WANG		
TOLERANCES UNLESS OTHERWISE SPECIFIED:		APVD 22OCT2016 XIANG.XU	NAME H6BPR-KDBM-EMC-C	
0 PLC $\pm$ -		PRODUCT SPEC	SIZE	
1 PLC $\pm$ -		APPLICATION SPEC	CAGE CODE	
2 PLC $\pm$ -			DRAWING NO	
3 PLC $\pm$ -			RESTRICTED TO	
4 PLC $\pm$ -			A3 - C-T1990060000009	
ANGLES $\pm$ -		WEIGHT		
MATERIAL		FINISH	SCALE 1:1	
			SHEET 1 OF 1	
		Customer Drawing	REV A1	