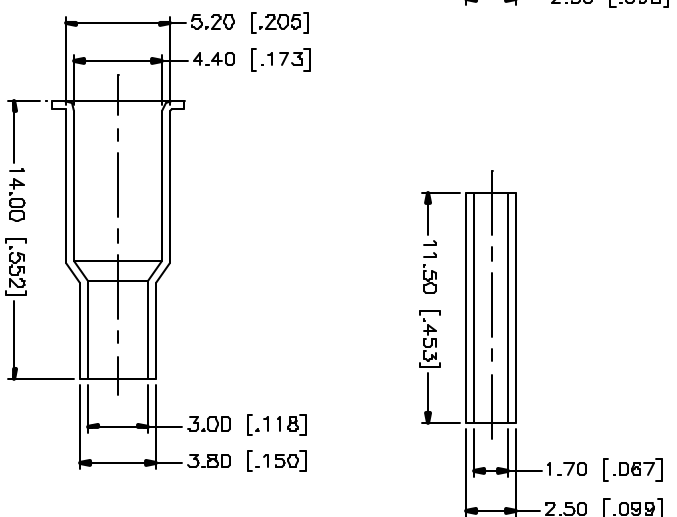
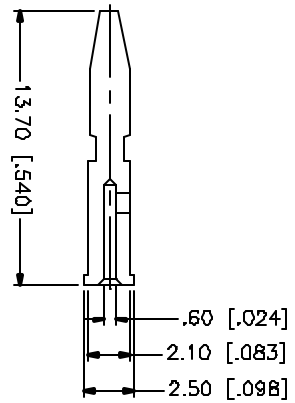
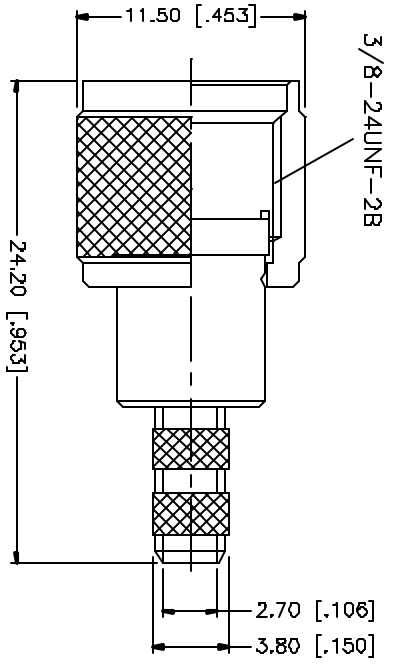
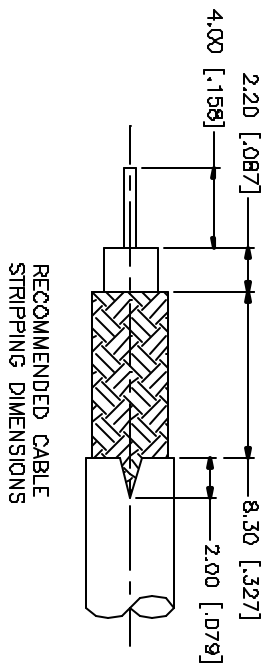


REV.	DATE	DESCRIPTION
A	04/04/05	UPDATE DRAWING FORMAT



NO.	DESCRIPTION	MATERIAL	FINISH	QTY	DD NDT SCALE DRAWING	APPROVALS	DATE	PART DESCRIPTION	DWG. NO.	REV.	SIZE	SCALE
8								Amphenol Connex MINI-UHF CRIMP PLUG (FOR RG-174/U, 188A/U, 316/U) 182118	182118.DWG	A	A	NA
7												
6												
5	FERRULE	BRASS	NICKEL	1								
4	INSULATOR	DELRIIN	NATURAL	1								
3	CONTACT PIN	BRASS	GOLD	1								
2	INSULATOR	TEFLON	NATURAL	1								
1	BODY	BRASS	NICKEL	1								
DESCRIPTION												

UNLESS OTHERWISE SPECIFIED DIMENSIONS ARE IN INCHES AND FOR PARTS NOT OTHERWISE SPECIFIED DIMENSIONS ARE IN MILLIMETERS ONLY.

UNLESS OTHERWISE SPECIFIED DIMENSIONS FOR MILLIMETERS ARE:
 0.5 - .50mm ± 0.025mm
 1 - 1.20mm ± 0.050mm

UNLESS OTHERWISE SPECIFIED DIMENSIONS FOR INCHES ARE:
 .020 - .315 = ± 0.007"
 .315 - 1.180 = ± 0.015"
 1.180 - 4.724 = ± 0.020"

NO.	DESCRIPTION	DATE
DRAWN	G.R.S.	04/04/05
CHECKED		
ISSUED		
SHEET	1 OF 1	

DD FILE	C:/182/182118.DWG
DWG. NO.	182118.DWG
REV.	A
SIZE	A
SCALE	NA