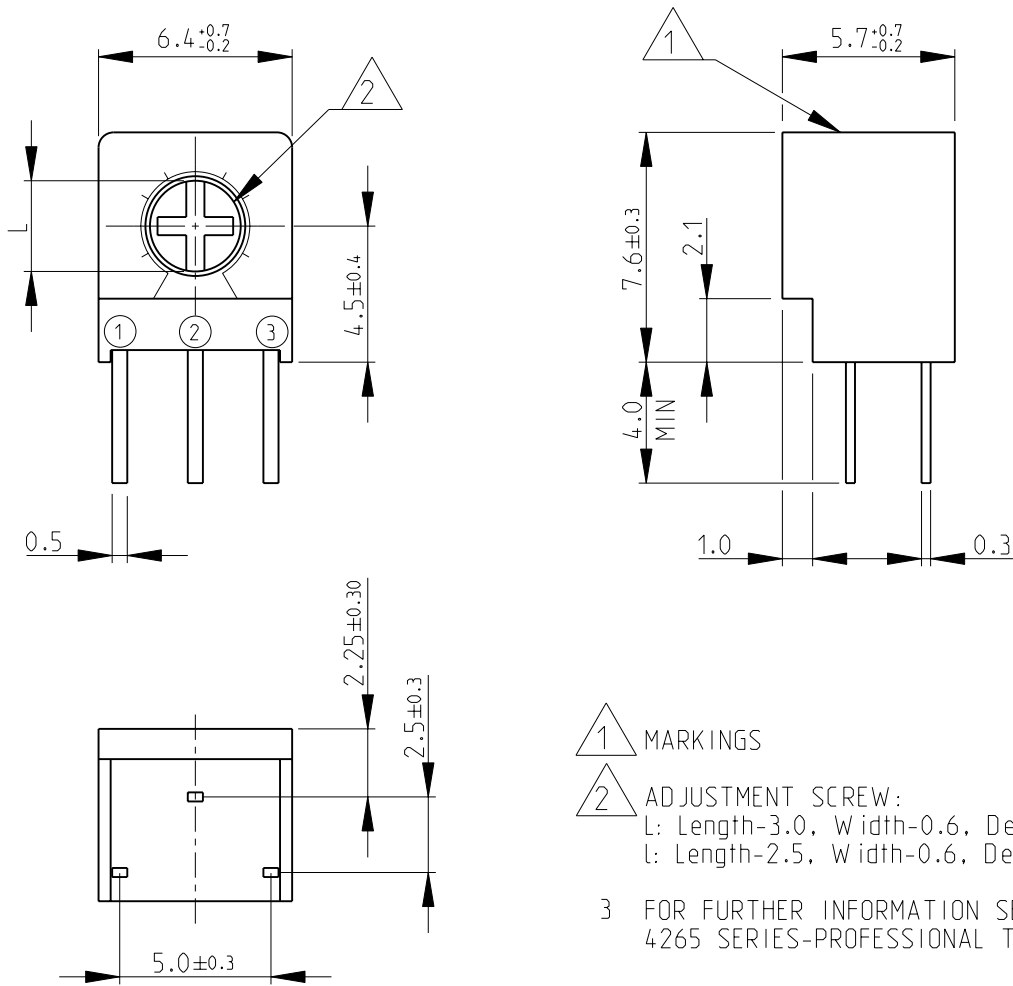
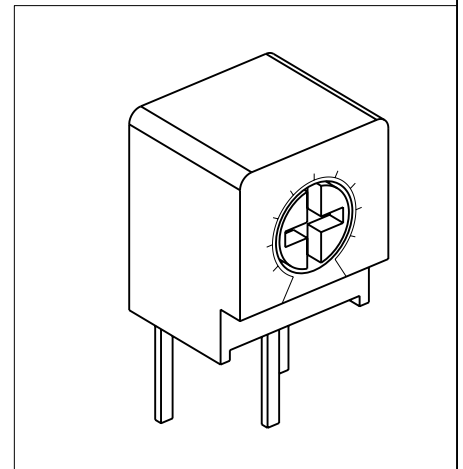


LOC E	DIST B	REVISIONS			
P	LTR	DESCRIPTION	DATE	DWN	APVD
	A	NEW RELEASE	04-Sep-08	SM	St.P



- 1 MARKINGS
- 2 ADJUSTMENT SCREW:  
L: Length-3.0, Width-0.6, Depth-0.7  
l: Length-2.5, Width-0.6, Depth-0.7
- 3 FOR FURTHER INFORMATION SEE DATA SHEET FOR 4265 SERIES-PROFESSIONAL TRIMMERS

RoHS Compliant



2008

RELEASED FOR PUBLICATION

THIS DRAWING IS UNPUBLISHED.

BY TYCO ELECTRONICS CORPORATION. ALL RIGHTS RESERVED.

DIMENSIONS: mm	DWN SUBHASH.M	04-Sep-08	MATERIAL	-	FINISH	-
	CHK PRAKASH.S	04-Sep-08	Tyco Electronics Corporation Dorcan, Swindon, SN3 5HH			
TOLERANCES UNLESS OTHERWISE SPECIFIED:	APVD STEPHEN.P	04-Sep-08				
	0 PLC $\pm 0.2$	PRODUCT SPEC	NAME PROFESSIONAL TRIMMERS SERIES 4265X			
1 PLC $\pm 0.1$	APPLICATION SPEC	SIZE				
2 PLC $\pm$	-	CAGE CODE	DRAWING NO		RESTRICTED TO	
3 PLC $\pm$	-	WEIGHT	A 4	00779	C-1623854	-
4 PLC $\pm$	-	CUSTOMER DRAWING				
ANGLES $\pm 5^\circ$	SCALE 4:1				SHEET 1 OF 1	REV A