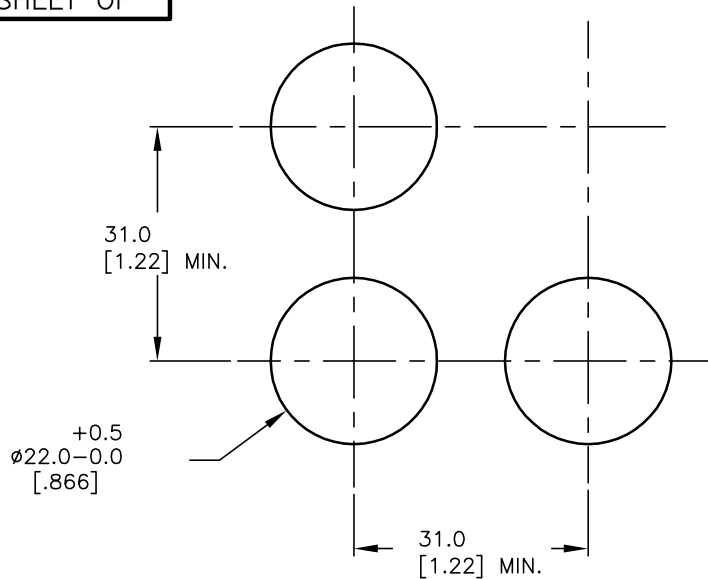
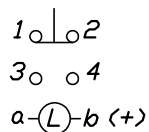


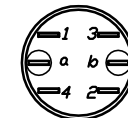
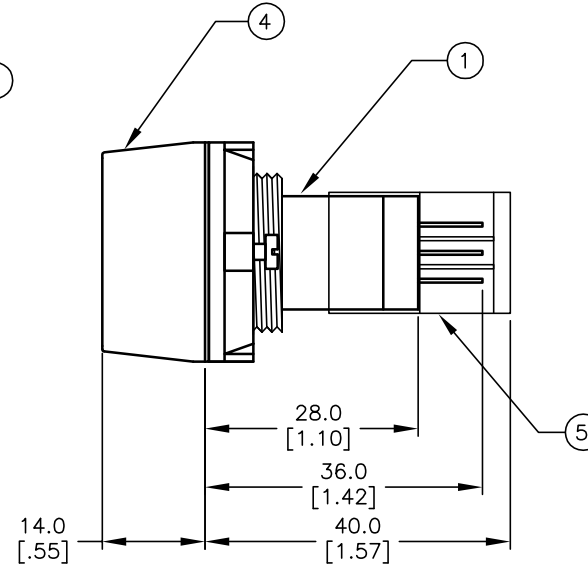
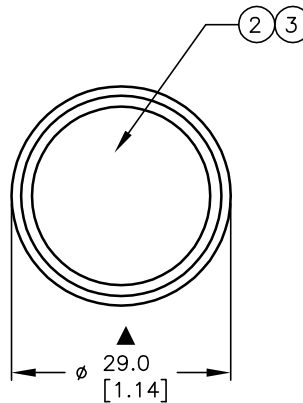
ITEM	QTY.	PART NO.	PART DESCRIPTION
1	1	F060620	LAKEEU110
5	1	F050419	50-004-19 (GREEN 12V LED)
3	1	F060212	29mm GREEN LENS
4	1	F051701	29MM RING FOR LA SERIES
5	1	F051601	P16 PLASTIC TERMINAL PROTECTOR



RECOMMEND PANEL MOUNTING



CONTACT CONFIGURATION



NOTES:

1. ALL DIMENSIONS IN MM [INCH]
2. GENERAL TOLERANCE: 0.0=±0.4
0.00=±0.25
3. TERM. NOS. FOR REF. ONLY
4. TRAVEL: 3.0MM
5. MECHANICAL LIFETIME: >2 MILLION OPERATIONS
6. CONTACT MATERIAL: COPPER ALLOY W/ SILVER PALTING
7. RATING: 5A @250VAC
8A @125VAC
- ▲ 8. LAMP VOLTAGE: 12VDC
9. ▲ DENOTES CRITICAL PARAMETER.

E-SWITCH®

TITLE

LAKEEU11JGRNGRN

A	14135	RELEASED FOR PRODUCTION	7/2/04	AR
REV.	ECN No.	DESCRIPTION	DATE	CHKD

THE INFORMATION CONTAINED IN THIS DOCUMENT IS PROPRIETARY TO E-SWITCH AND IS NOT TO BE COPIED OR TRANSFERRED

SCALE

1:1

DATE

7/2/04

DR

AR

DWG

XF0595P

REV

A