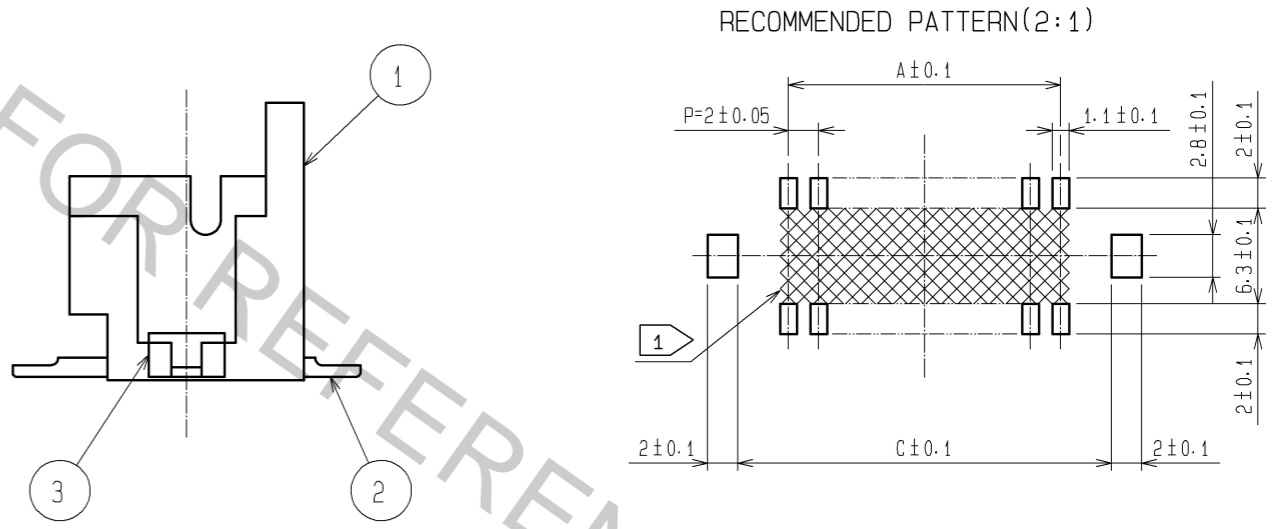


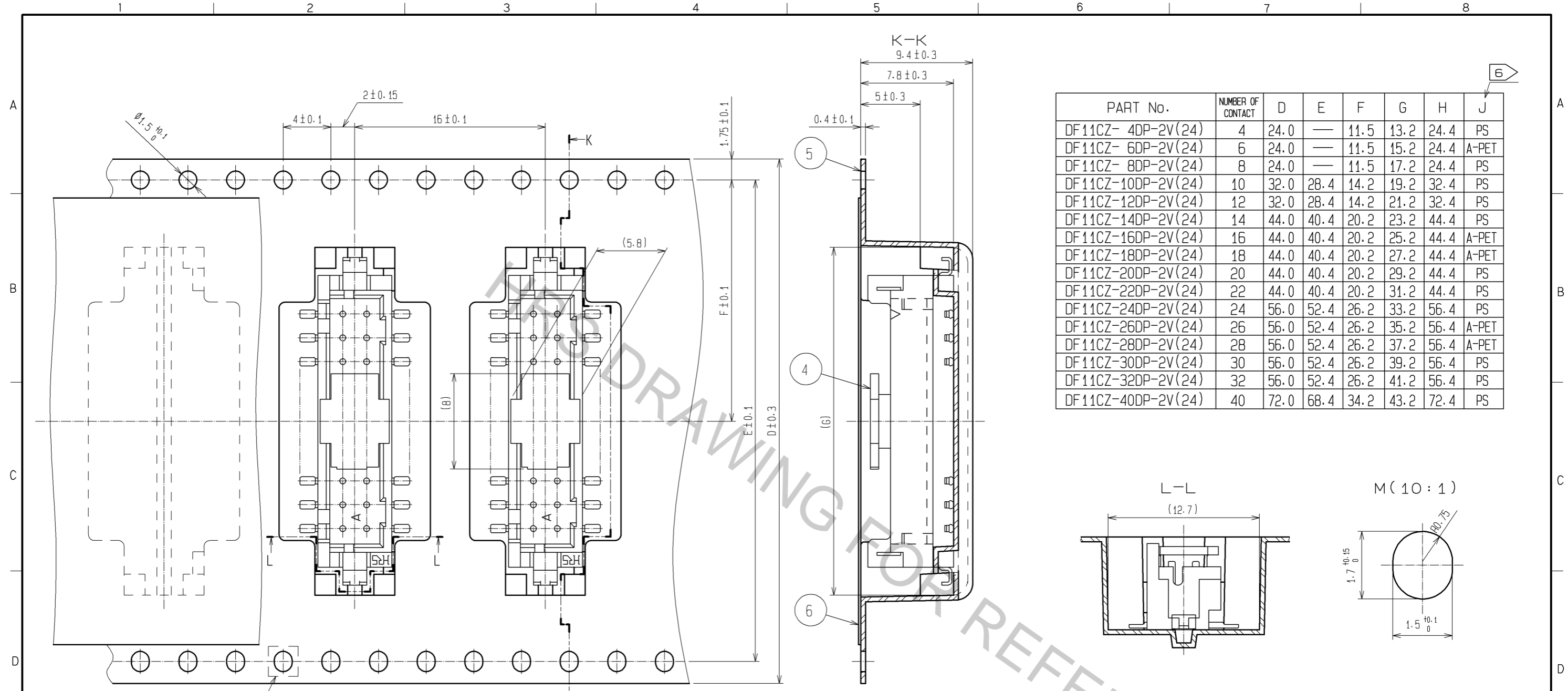
CODE No.	PART No.	NUMBER OF CONTACT	A	B	C
-	DF11CZ- 4DP-2V(24)	4	2	8.5	8.7
-	DF11CZ- 6DP-2V(24)	6	4	10.5	10.7
-	DF11CZ- 8DP-2V(24)	8	6	12.5	12.7
CL543-2050-9-24	DF11CZ-10DP-2V(24)	10	8	14.5	14.7
-	DF11CZ-12DP-2V(24)	12	10	16.5	16.7
CL543-2052-4-24	DF11CZ-14DP-2V(24)	14	12	18.5	18.7
-	DF11CZ-16DP-2V(24)	16	14	20.5	20.7
-	DF11CZ-18DP-2V(24)	18	16	22.5	22.7
-	DF11CZ-20DP-2V(24)	20	18	24.5	24.7
-	DF11CZ-22DP-2V(24)	22	20	26.5	26.7
-	DF11CZ-24DP-2V(24)	24	22	28.5	28.7
-	DF11CZ-26DP-2V(24)	26	24	30.5	30.7
-	DF11CZ-28DP-2V(24)	28	26	32.5	32.7
-	DF11CZ-30DP-2V(24)	30	28	34.5	34.7
-	DF11CZ-32DP-2V(24)	32	30	36.5	36.7
-	DF11CZ-40DP-2V(24)	40	38	44.5	44.7



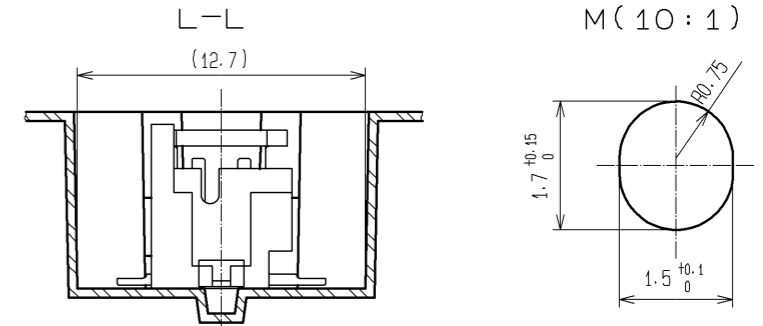
NOTES 1 IF THERE IS PATTERN ON PART, THERE IS A POSSIBILITY THAT IT WILL MAKE CONTACT WITH THE LEADS.
 2 LEAD CO-PLANARITY INCLUDE REINFORCED METAL FITTINGS SHALL BE 0.1mm MAX.

NO.	MATERIAL	FINISH	REMARKS	NO.	MATERIAL	FINISH	REMARKS
3	BRASS	TIN PLATED 1μm min		7	PS	BLACK	
2	BRASS	SURFACE:TIN PLATED 1μm min UNDER PLATING:NICKEL PLATED 0.5μm min		6	POLYESTER	CLEAR(COVER TAPE)	
				5	J	CLEAR(EMBOSSED CARRIER TAPE)	
1	POLYAMIDE	UL94V-0, NATURAL (BEIGE)		4	POLYAMIDE	BLACK(ADSORPTIVE CAP)	

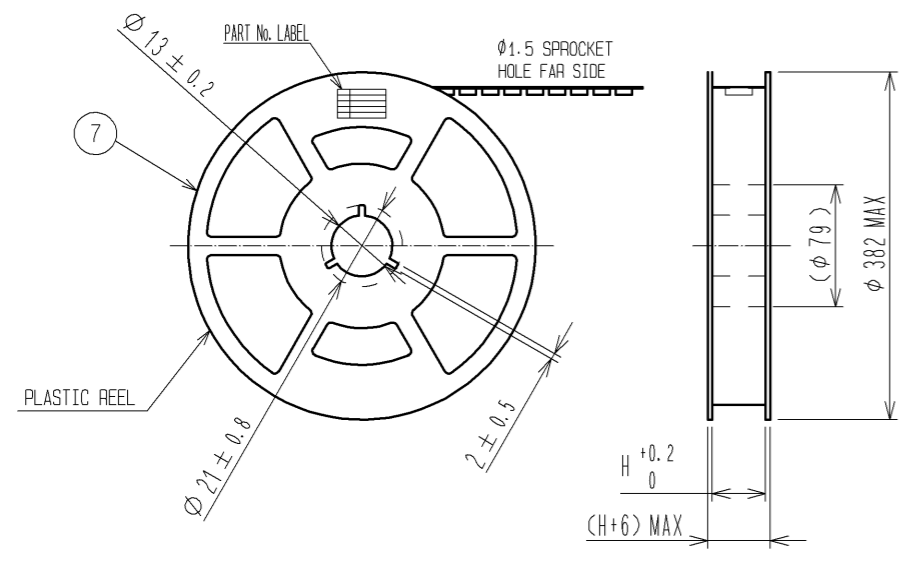
UNITS	SCALE	COUNT	DESCRIPTION OF REVISIONS	DESIGNED	CHECKED	DATE
mm	5 : 1	△				
APPROVED : KI. AKIYAMA			10.08.26	DRAWING NO.		EDC3-307176-03
CHECKED : HK. UMEHARA			10.08.25	PART NO.		DF11CZ- *DP-2V(24)
DESIGNED : TH. YOSHIKAWA			10.08.25	CODE NO.		CL543-
DRAWN : TH. YOSHIKAWA			10.08.25			



PART No.	NUMBER OF CONTACT	D	E	F	G	H	J
DF11CZ- 4DP-2V(24)	4	24.0	—	11.5	13.2	24.4	PS
DF11CZ- 6DP-2V(24)	6	24.0	—	11.5	15.2	24.4	A-PET
DF11CZ- 8DP-2V(24)	8	24.0	—	11.5	17.2	24.4	PS
DF11CZ-10DP-2V(24)	10	32.0	28.4	14.2	19.2	32.4	PS
DF11CZ-12DP-2V(24)	12	32.0	28.4	14.2	21.2	32.4	PS
DF11CZ-14DP-2V(24)	14	44.0	40.4	20.2	23.2	44.4	PS
DF11CZ-16DP-2V(24)	16	44.0	40.4	20.2	25.2	44.4	A-PET
DF11CZ-18DP-2V(24)	18	44.0	40.4	20.2	27.2	44.4	A-PET
DF11CZ-20DP-2V(24)	20	44.0	40.4	20.2	29.2	44.4	PS
DF11CZ-22DP-2V(24)	22	44.0	40.4	20.2	31.2	44.4	PS
DF11CZ-24DP-2V(24)	24	56.0	52.4	26.2	33.2	56.4	PS
DF11CZ-26DP-2V(24)	26	56.0	52.4	26.2	35.2	56.4	A-PET
DF11CZ-28DP-2V(24)	28	56.0	52.4	26.2	37.2	56.4	A-PET
DF11CZ-30DP-2V(24)	30	56.0	52.4	26.2	39.2	56.4	PS
DF11CZ-32DP-2V(24)	32	56.0	52.4	26.2	41.2	56.4	PS
DF11CZ-40DP-2V(24)	40	72.0	68.4	34.2	43.2	72.4	PS



STYLE AND DIMENSION OF REEL



DIRECTION OF UNREELING

- NOTES
- 1 REEL:500 CONNECTORS.
 - 4 AT THE BEGINNING OF THE REEL, 15 COMPONENTS SHALL BE EMPTY. AT THE END OF THE REEL, 10 COMPONENTS SHALL BE EMPTY.
 - 5 WHEN THE TAPE WIDTH IS 32, 44 AND 56mm, SPROCKET HOLES SHALL BE SET ON BOTH SIDES OF REEL AS SHOWN ON THIS DRAWING.
 - 6 THE MATERIAL OF THE EMBOSSED CARRIER TAPE REFERS TO THE TABLE.
 - 7 DETAIL OF PART No. LABEL IS WRITTEN IN JAPANESE.
 - 8 THE REEL IS POLYETHYLENE PACKAGED WITH AN DRY AGENT INSIDE FOR MOISTURE-PROOF PACKAGING.
 - 9 FOR THE STORAGE OF 168 HOURS OR MORE AFTER OPENING THE PACKAGE, KEEP THE PRODUCTS UNDER MOISTURE PROOF CONDITIONS.
 - 10 EXCEPT ON THE MATING SURFACE, COMPONENT INFLATION DOES NOT AFFECT THE PRODUCTS PERFORMANCE.

SUPPLIER
 QUANTITY
 PART No.
 CODE No.
 DATE OF MANUFACTURED

7> DETAIL OF PART No. LABEL

生産月日	年月日
図番	CL543-****-*-24
品名	DF11CZ-*DP-2V(24)
納入数量	500 K0
納入者	ヒロセ電機株式会社

HRS	DRAWING NO.	EDC3-307176-03
	PART NO.	DF11CZ-*DP-2V(24)
	CODE NO.	CL543-