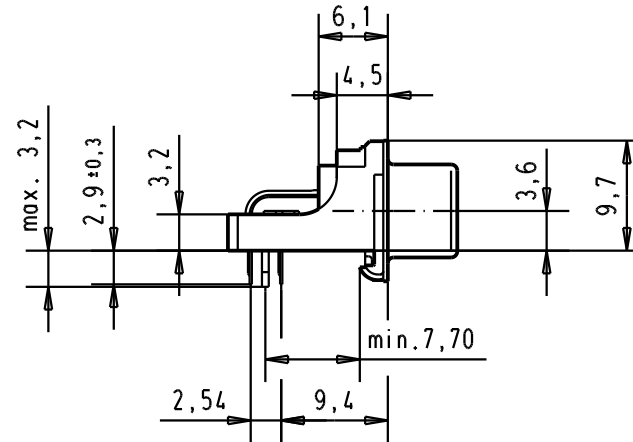
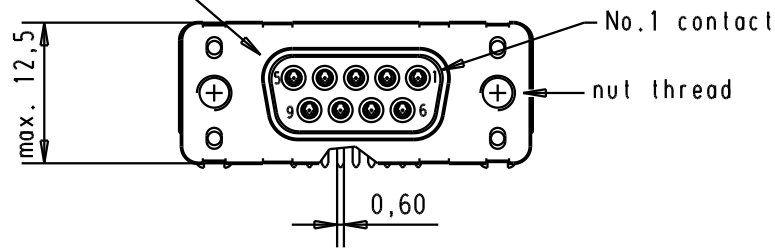
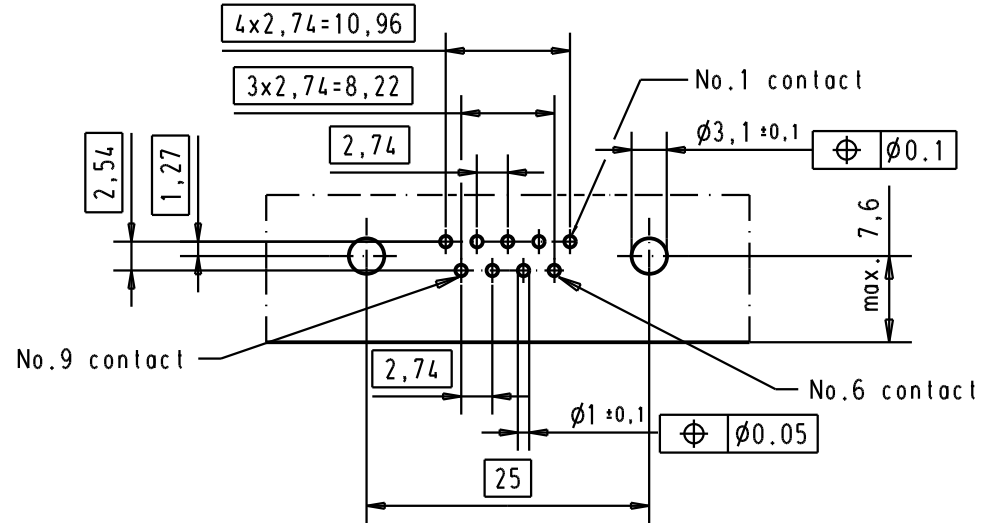
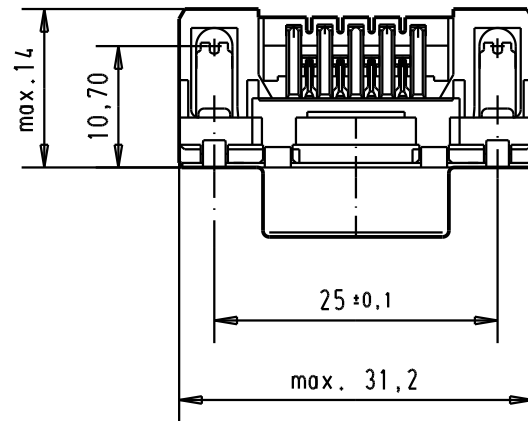


5 4 3 2 1

Mating face according to : MIL-C-24308 / DIN 41652 / CECC 75301-802

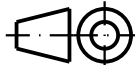



Printed board layout component side



Connector retention and insertion forces on the PCB = 25 / 80 newtons

A

09 66 156 3615	M 3	1								 All Dim. in mm Orig. Size DIN A 4	D-Sub, high temperature, female, low profil, 9 poles, with solder pins 2.9, nuts and grounding board lock.	Maßstab/ Scale  1.5:1
09 66 156 6615	M 3	2				Detail.	05/03/02	CV				
09 66 156 7615	M 3	3				Insp.						
09 66 156 3616	4-40 UNC	1				Stand.						
09 66 156 6616	4-40 UNC	2	31892	05/05/04	JH	HARTING EUROL F-95972 Paris				TB 0966156x61x	Blatt/ Page 2	
09 66 156 7616	4-40 UNC	3	29723	05/03/02	CV							
Part number	Nut thread	Performance level	Mod.	Dat.	Name				Sub.			