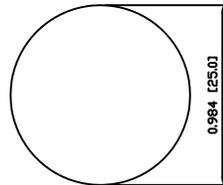
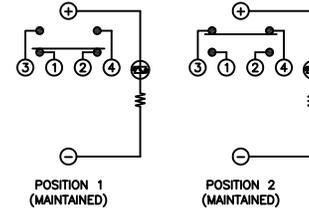


SUGGESTED PANEL CUTOUT



MAXIMUM PANEL THICKNESS: 0.551 [14.0mm]

SCHEMATIC



SPECIFICATIONS

FUNCTION:
1PNO OFF-ON + 1PNC ON-OFF

RATING:
2A 48VDC
5V 20mA

ILLUMINATION VOLTAGE:
5V 20mA

CONTACT RESISTANCE:
Initial: 50mΩ Max. at 1A 12VDC

INSULATION RESISTANCE:
1,000MΩ Min. at 500VDC

DIELECTRIC STRENGTH:
2,000VAC Min. for 1 Minute

ELECTRICAL LIFE:
50,000 Cycles

MECHANICAL LIFE:
1,000,000 Cycles

TEMPERATURE:
Operating: -20°C to 70°C

INGRESS PROTECTION:
IP65

APPROVALS:
RoHS
COMPLIANT

MATERIALS

BUSHING:
Stainless Steel (304)

BASE:
Polyamide 6/6 (PA66)

ACTUATOR:
Stainless Steel (304)
Polycarbonate (PC)

HARDWARE:
Nickel Plated Brass (H59)

SEALING:
Silicone Rubber

INNER ASSEMBLY:
Polyamide 6/6 (PA66)
Polycarbonate (PC)
Poloxymethylene (POM)
Brass (H59)
Stainless Steel
Beryllium Copper

SPRING:
Stainless Steel

CONTACTS:
Silver/Cadmium Oxide (AgCdO)

TERMINALS:
Brass

O-RING:
Silicone Rubber

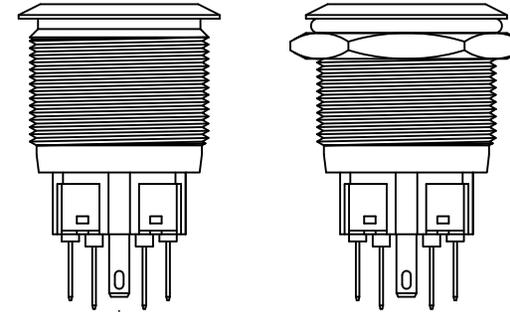
COLORS AND FINISH

BEZEL:
Stainless Steel
Machine Finish

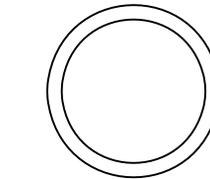
ACTUATOR:
Stainless Steel
Machine Finish

ILLUMINATION:
Red (Forward)
Red (Reverse)

MARKING:
None



EXPLODED VIEW



ASSEMBLED VIEW

BODY	C	11/05/16	CAB
COLORS	A	09/07/06	CAB
MATERIALS	A	09/07/06	CAB
SPECIFICATIONS	A	09/11/02	CAB
REFERENCE	REV.	DATE	BY

THE INFORMATION CONTAINED IN THIS DOCUMENT IS PROPRIETARY TO E-SWITCH AND IS NOT TO BE COPIED OR TRANSFERRED

C	CORRECTED BODY LENGTH	19947	11/05/16	CAB
B	CORRECTED MAXIMUM PANEL DEPTH	19028	10/04/26	CAB
A	INITIAL RELEASE	PCRD0191	09/11/02	CAB
REV.	DESCRIPTION	PCR	DATE	DRAWN BY

DIMENSIONS	
INCHES [MILLIMETERS]	
GENERAL TOLERANCES	
±0.008 [±0.2] / ±1'	
SCALE	PROJECTION
DRAWING NOT TO SCALE	1st Angle

PV8F2TOSS-31D			
ITEM NUMBER	DATE	REVISION	
52-PV8F2TOSS31D	MAY 16, 2011	C	