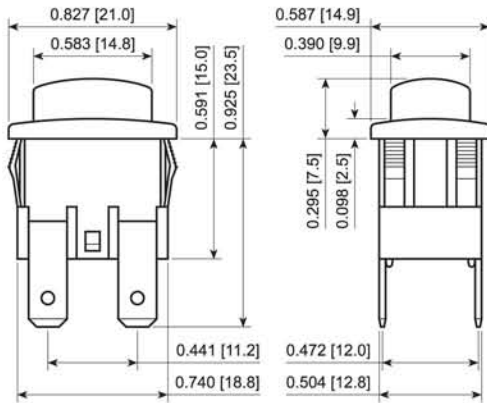
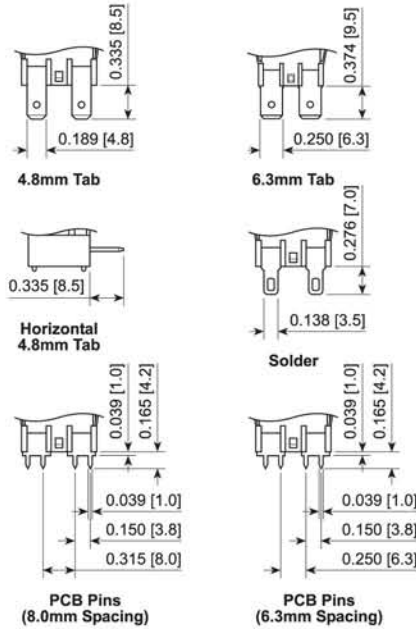


PA4 Series



Terminal Options



FEATURES:

- Durable, Robust and Economical
- Popular 13mm x 19mm Cutout
- High Power Ratings
- Standard and Water-resistant Versions
- Illuminated Versions

SPECIFICATIONS:

RATING: RATING OPTION C:
16A 125/250VAC [UR, cUR]
16(4)A 250V~ 1E4 T125/55 [ENEC]

RATING OPTION J:
16A 125/250VAC [UR, cUR]
16(8)A 250V~ 1E4 T125/55 [ENEC]

TEMPERATURE: -20°C to 65°C [UR, cUR]
-20°C to 125°C [ENEC]

ELECTRICAL LIFE: 10,000 Cycles

CONTACT RESISTANCE: 20mΩ Min. at 1A 5VDC

INSULATION RESISTANCE: 100MΩ Min. at 500VDC

DIELECTRIC STRENGTH: 1,000VAC for 1 Minute

MATERIALS:

UPPER BODY: Polyamide 6/6, UL94 V-2

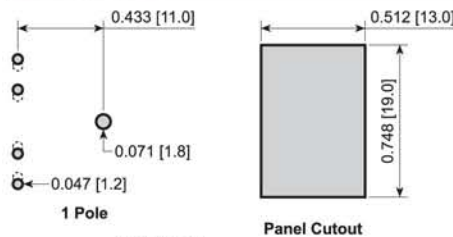
LOWER BODY: PBT, UL94 V-2

ACTUATOR: Polyamide 6/6, UL94 V-2
Polycarbonate, UL94 V-2

CONTACTS: Silver Alloy

TERMINALS: Silver Plated Copper

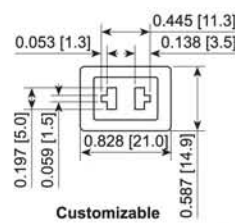
Mounting Options



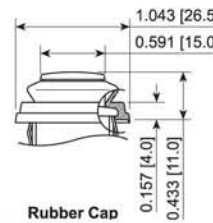
Illumination Options



Actuator Options



Water Protection Options



PA421C4000-124



PA431C1700



PA411C1900



PA4R11C1000-116

PA411C1100

SPECIFICATIONS SUBJECT TO CHANGE WITHOUT NOTICE

| Series | Terminal | Function | Rating | Body Color | Actuator Color | Marking Color | Marking Type | Lens Style | Lens Color | Lamp Voltage |
|---------------------|---------------------------|--------------|------------------------------|------------|-----------------|---------------|------------------------|------------|------------|--------------|
| PA4 - Std. Version | 1 - 4.8mm Tab | 1 Pole: | C - 16A 125/250VAC [UL, CSA] | 1 - Black | 0 - Full Illum. | 0 - None | 0 - None | 1 - Full | 0 - Clear | 3 - 6V |
| PA4R - Rubber Cap | 2 - Solder | 1 - Off-On | 16(4)A 250V~ [ENEC] | 2 - White | 1 - Black | 1 - Black | 1 - Power Symbol Vert. | 1 - Red | 1 - Red | 4 - 12V |
| PA4C - Customizable | 3 - PCB Pins (8.0mm) | 4 - Off-(On) | | 4 - Grey | 2 - White | 2 - White | 2 - Power Symbol Horz. | 2 - Amber | 2 - Amber | 5 - 24V |
| | 4 - PCB Pins (6.8mm) | 2 Pole: | J - 16A 125/250VAC [UL, CSA] | 9 - Red | 4 - Grey | 8 - Red | 3 - Reset Symbol Vert. | 3 - Green | 3 - Green | 6 - 125V |
| | 5 - Horizontal 4.8mm Tabs | 2 - Off-On | 16(8)A 250V~ [ENEC] | | 5 - Orange | | 4 - Reset Symbol Horz. | 4 - Blue | 4 - Blue | 7 - 250V |
| | 6 - 6.3mm Tab | E - Off-(On) | | | 7 - Blue | | 5 - POWER Vert. | 5 - Yellow | 5 - Yellow | |
| | | | | | 8 - Green | | 6 - POWER Horz. | | | |
| | | | | | 9 - Red | | 7 - RESET Vert. | | | |
| | | | | | | | 8 - RESET Horz. | | | |

Custom Colors and Markings Available Upon Request For Illuminated Switches Only

EXAMPLE PART NUMBERS:

- PA411C1100 1P Off-On
Black Body/Actuator, 4.8mm Tab
- PA414C1100 1P Off-(On)
Black Body/Actuator, 4.8mm Tab
- PA412C1100-116 2P Off-On
Black Body, Red Actuator, 125V, 4.8mm Tab
- PA421C1100 1P Off-On
Black Body/Actuator, Solder Tab



E-SWITCH®

www.e-switch.com

800.867.2717

PUSHBUTTON