



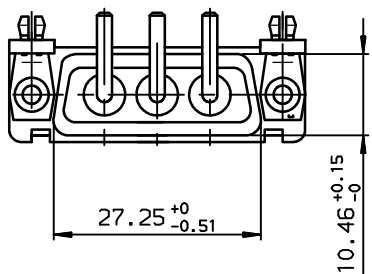
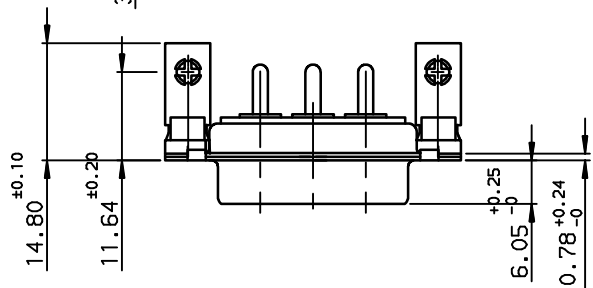
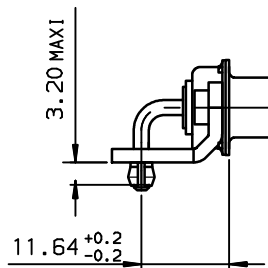
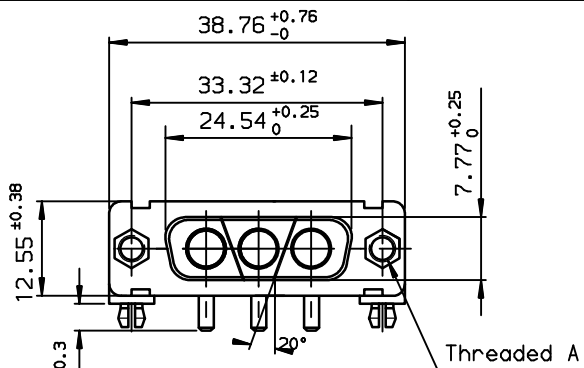
Copyright FCI.

A

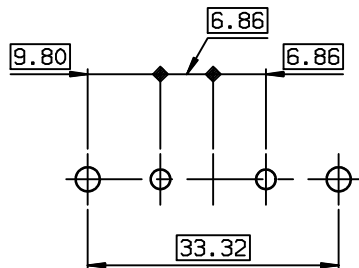
B

C

D



LAYOUT DIMENSIONS (after plating)
CONNECTOR SIDE VIEW



TIN-LEAD PART NUMBER

DA03V3S500G30	UNC 4.40
DAL3V3S500G30	M3
PART NUMBER	Threaded A

LEAD FREE PART NUMBER

DA03V3S500G30LF	UNC 4.40
DAL3V3S500G30LF	M3
PART NUMBER	Threaded A

GENERAL CHARACTERISTICS AND ROHS INFORMATIONS:
SEE DRAWING C01-8639-0001

European Views

www.fciconnect.com		surface ISO 1302 ✓	tolerance std ISO 406 ISO 1101	projection 	mm ←→
TOLERANCES UNLESS OTHERWISE SPECIFIED					
Dr	JOUBERT	1998/04/07	ANGULAR	0.X	±0.1
Eng	PESSON	1998/04/07	LINEAR	0.XX	±0.1
Chr	LEGARE	1998/04/07	0.XX' ±2'	0.XXX	±0.1
Appr	LEGARE	1998/04/07	Product family	D-SUB	Spec ref -
FCI			title SOCKET CONNECTOR WITH POWERS CONTACTS		Rev. D
catalog no			-		02 C01-8639-1579
			CUSTOMER		sheet 1 of 1

rev	ecn no	dr	date
B	-	BAR	2003/11/20
C	LS05-001	MPE	2005/03/07
D	LS06-0095	LGO	2006/07/20
-	-	-	-
-	-	-	-
-	-	-	-
-	-	-	-