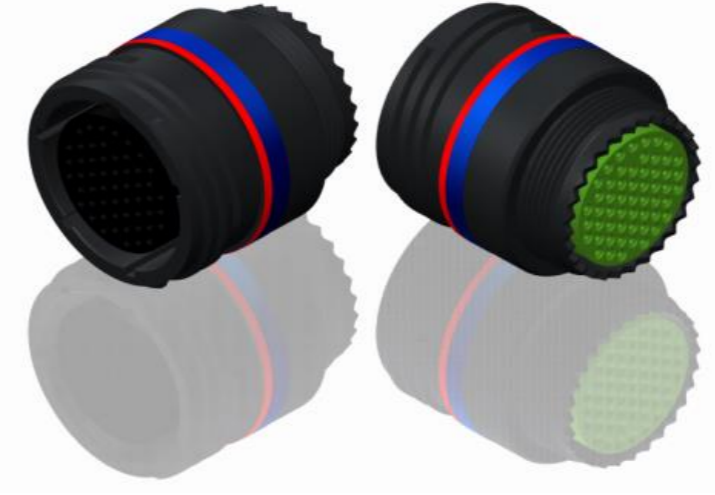
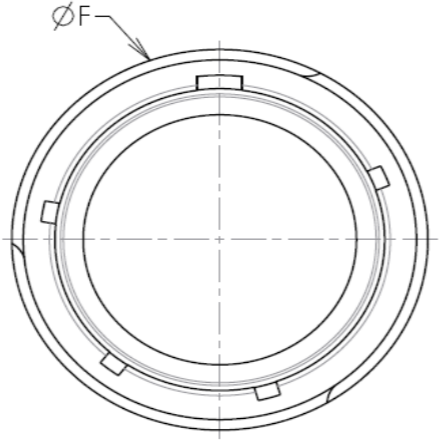
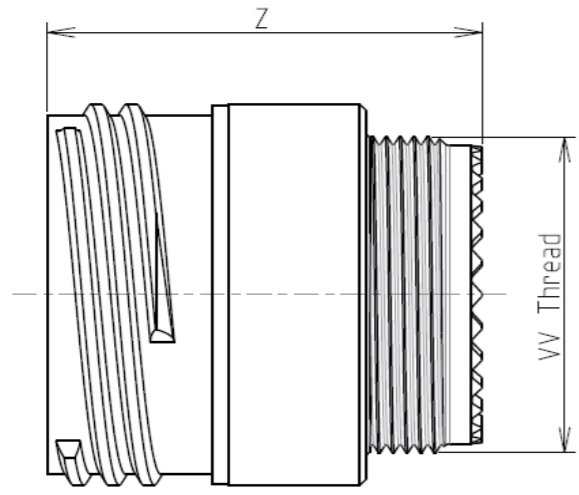


H G F E D C B A

4
3
2
1

4
3
2
1



LAYOUT SHOWN AS EXAMPLE

Keying Shown as example

CHARACTERISTICS

- Standard : Based on MIL-DTL-38999 Series III
- Shell Material : Aluminium
- Shell Plating : Black Zinc Nickel
- Insulator : Thermoplastic
- Contacts : Copper Alloy
- Seals & Grommet : Silicon Elastomer
- Contact Plating : Gold over copper Alloy 0.8µm minimum
- Durability : 500 Mating cycles
- Delivered with Souriau contacts and Accessories
- Temperature Range : -65°C to +175°C
- Salt Spray : 500 hours

Connector dimension	
Dim	Nominal
F	30.15 Max
Z	31.5 Max
VV THREAD	M25x1-6g

SOURIAU shall not be liable for any non-conformity or damage due to a use of the Products which does not comply with the Specifications issued by either of the Parties or by a third party (professional recommendation, technical notice.)

Country	Jurisdiction & Control List
FR	Not Listed

PN: 8D117Z99SN

A	24-09-2016	First Release	
ISS	DATE	Latest modification - by	MOD N°
Designed By:		Date:	CUSTOMER DRAWING

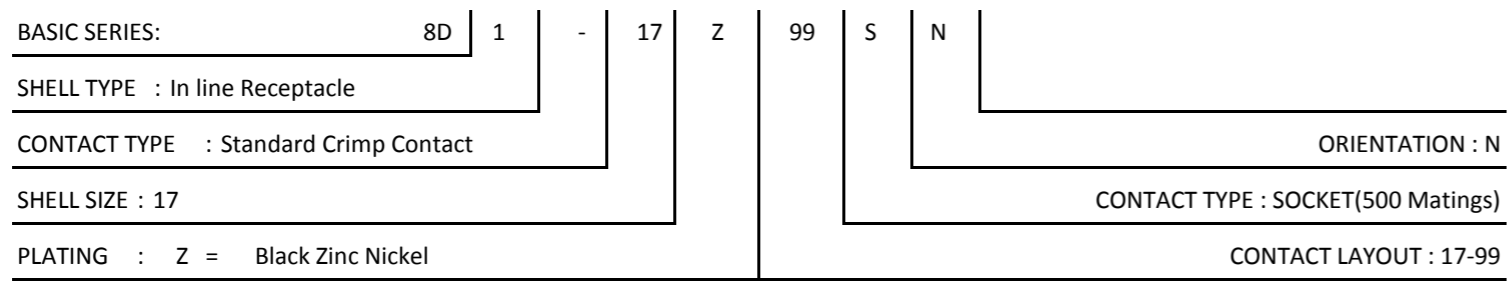
TITLE Aluminium Inline plug 8D series

SCALE		General linear Tolerances:	NPRDS / PROJECT
NA		±--	859

SOURIAU WWW.SOURIAU.COM

This document is the property of SOURIAU it must not be reproduced or communicated without permission

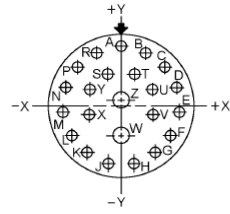
FORMAT	SOURIAU DRG N° 8D117Z99SN-C		SHEET
A3			1/2



H G F E D C B A

4
3
2
1

Contact Layout



Contacts (Insert arrangement 17-99)					
Contact position ID	Contact location		Contact position ID	Contact location	
	X-axis (mm)	Y-axis (mm)		X-axis (mm)	Y-axis (mm)
A	.000 (0.00)	+321 (8.15)	N	-.305 (7.75)	+099 (2.51)
B	+131 (3.33)	+293 (7.44)	P	-.239 (6.07)	+214 (5.44)
C	+239 (6.07)	+214 (5.44)	R	-.131 (3.33)	+293 (7.44)
D	-.305 (7.75)	-.000 (2.51)	S	.070 (1.78)	-.177 (4.50)
E	+319 (8.10)	-.034 (0.86)	T	+070 (1.78)	+177 (4.50)
F	+278 (7.06)	-.161 (4.09)	U	+175 (4.45)	+094 (2.39)
G	+189 (4.80)	-.260 (6.60)	V	+150 (3.81)	-.075 (1.91)
H	+067 (1.70)	-.314 (7.98)	W	+000 (0.00)	-.161 (4.09)
J	-.067 (1.70)	-.314 (7.98)	X	-.150 (3.81)	-.075 (1.91)
K	-.189 (4.80)	-.260 (6.60)	Y	-.175 (4.45)	+094 (2.39)
L	-.278 (7.06)	-.161 (4.09)	Z	+000 (0.00)	+025 (0.64)
M	-.319 (8.10)	-.034 (0.86)			

Shell size	Arrangement no.	Number of contacts	Size contacts	Service rating	Contact position ID	Supersedes
17	-99	2	16	I	W, Z	MS20053-99
		21	20		All others	

SOURIAU shall not be liable for any non-conformity or damage due to a use of the Products which does not comply with the Specifications issued by either of the Parties or by a third party (professional recommendation, technical notice.)

Country	Jurisdiction & Control List
FR	Not Listed

PN: 8D117Z99SN

A	24-09-2016	First Release	
ISS	DATE	Latest modification - by	MOD N°
Designed By:		Date:	CUSTOMER DRAWING
TITLE	Aluminium Inline plug 8D series		
SCALE		General linear Tolerances:	NPRDS / PROJECT
NA		±--	859
SOURIAU	WWW.SOURIAU.COM		This document is the property of SOURIAU it must not be reproduced or communicated without permission
FORMAT	SOURIAU DRG N° 8D117Z99SN-C		SHEET
A3			2/2