

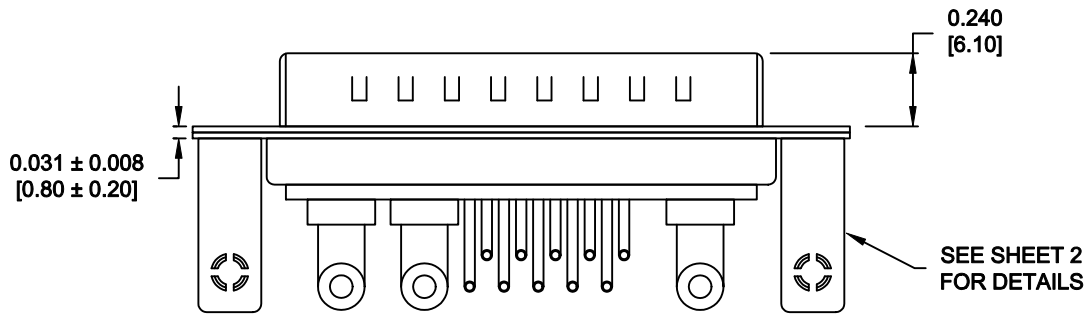
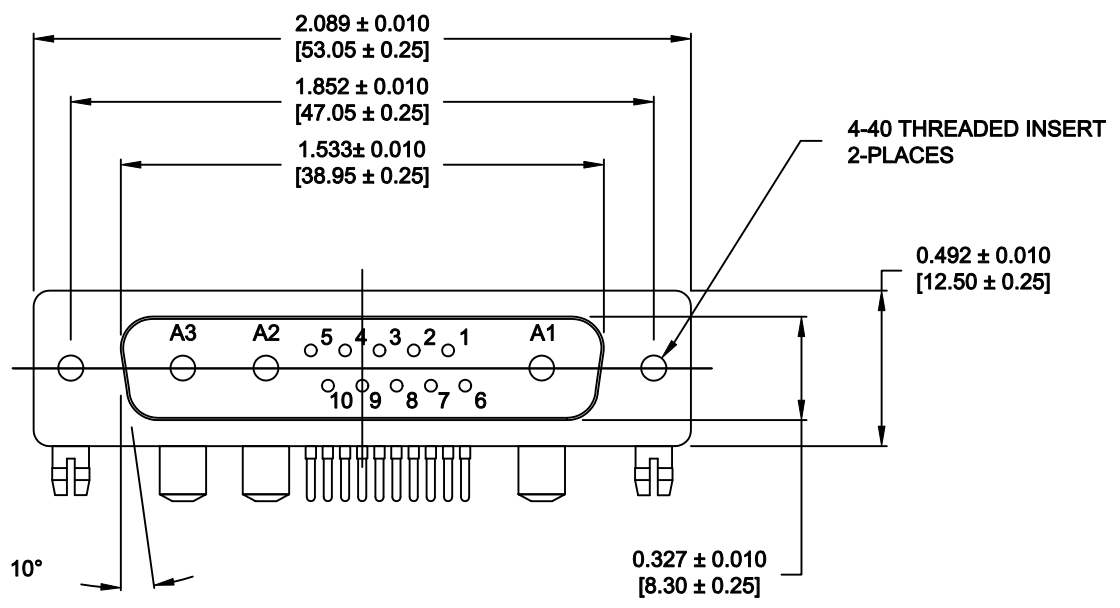
SPECIFICATIONS:

ELECTRICAL:
 INSULATOR RESISTANCE: 5 G OHMS Min.
 DIELECTRIC WITHSTANDING: 1,000VAC r.m.s.
 OPERATING TEMPERATURE: -55° C ~ +125° C
 POWER CONTACT RESISTANCE: 1.0 Milliohms Max.
 SIGNAL CONTACT RESISTANCE: 2.7 Milliohms Max.
 POWER PINS: 40 AMPS
 SIGNAL PINS: 5 AMPS

MECHANICAL:
 CONTACT INSERTION FORCE: 4.5 Kg Max.
 CONTACT SEPARATOR FORCE: 0.3Kg Min.

MATERIALS:
 CONTACTS: COPPER ALLOY
 INSULATOR: PBT UL94V-0 RATED, BLK
 230°C PROCESS TEMP.
 SHELL: STEEL
 BOARD LOCK: BRASS, NICKEL PLATED
 CINCHNUT: BRASS, NICKEL PLATED
 BRACKET: STEEL, NICKEL PLATED
 SEAL: F08 FLEXIBLE ADHESIVE

FINISH:
 SHELL: NICKEL
 CONTACTS: FULL GOLD FLASH



684S13W3103L461

46 = 4-40 INSERTS / BOARD LOCKS

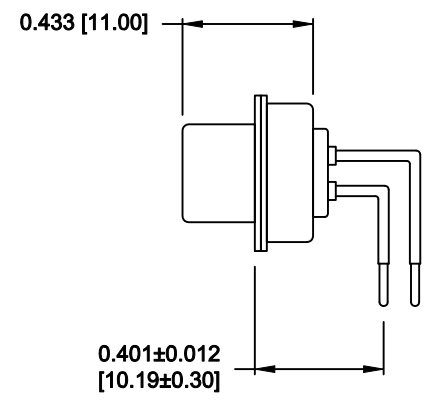
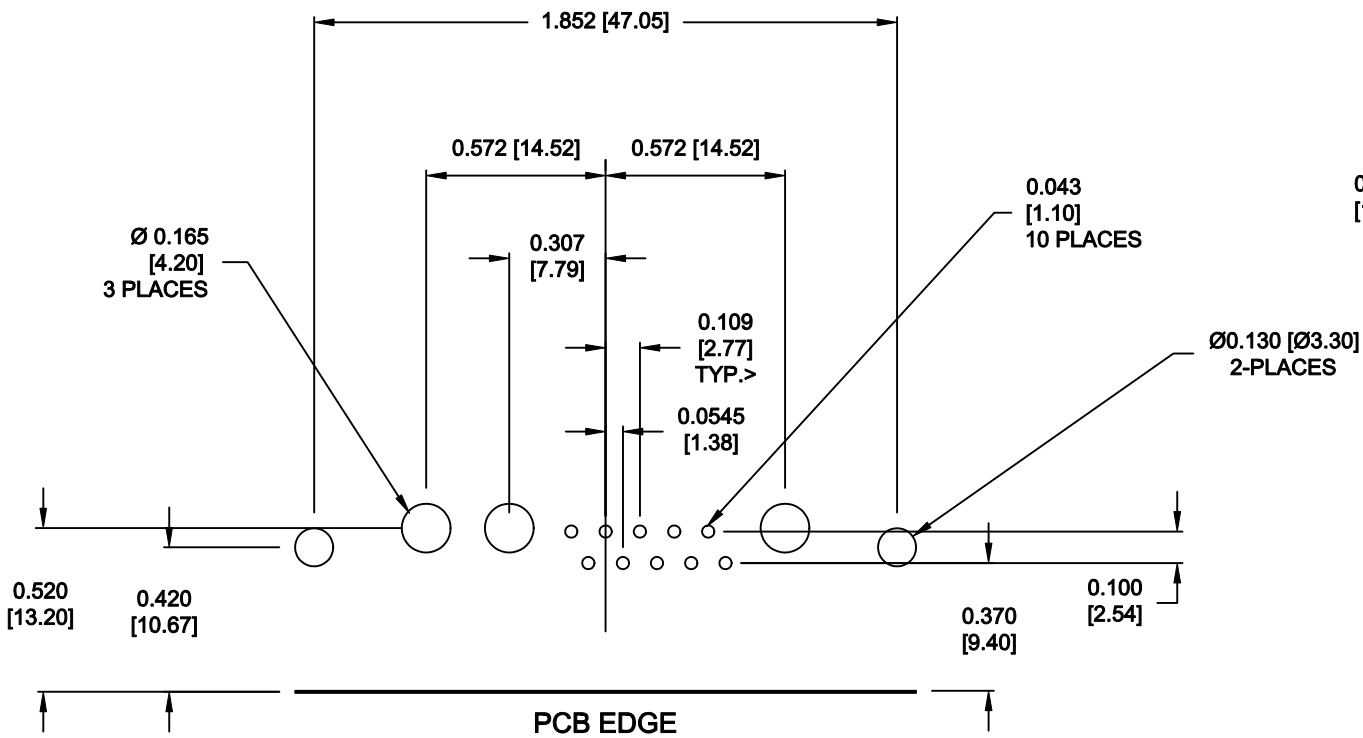
MEETS IP67 STANDARDS

(SEE PAGE 3 FOR SEALING DETAILS)

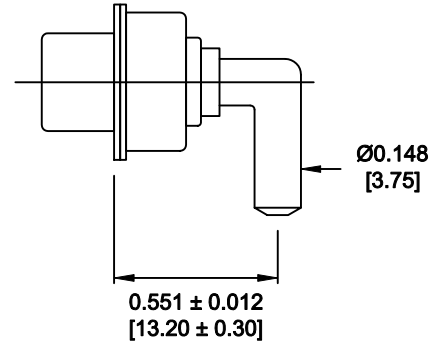
RoHS COMPLIANT

	THESE DRAWINGS AND SPECIFICATIONS ARE THE PROPERTY OF NorComp AND SHALL NOT BE REPRODUCED, COPIED OR USED AS THE BASIS FOR THE MANUFACTURE OR SALE OF APPARATUS WITHOUT WRITTEN PERMISSION.		DRAWN: P. JENKINS	DATE: 8-22-11
			CHECKED:	DATE:
<h1>NorComp</h1>		SCALE: 1.5 = 1	SHEET 1 OF 3	REV 1
		DWG NO. 684S13W3103L461		

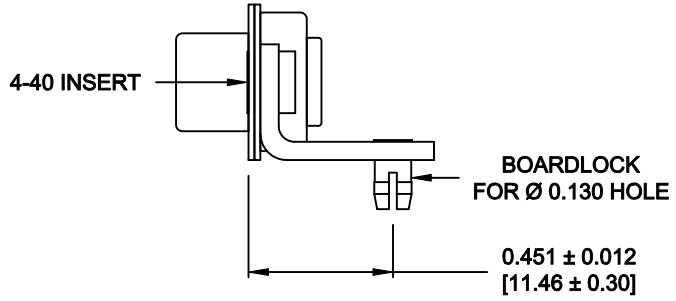
**NOTE:
POWER CONTACTS COME
PRE-LOADED INTO INSULATORS**



SIGNAL CONTACTS



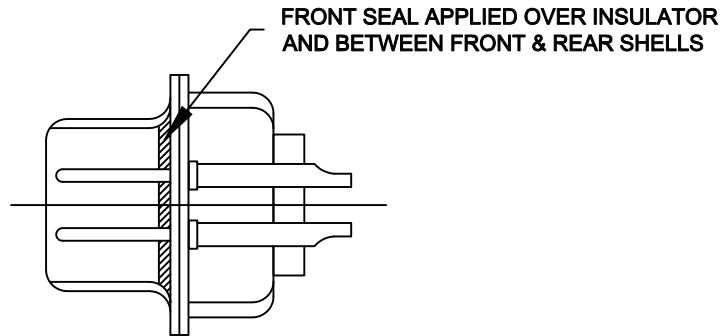
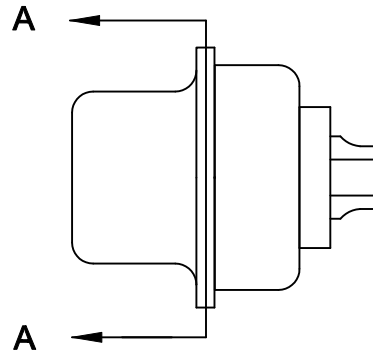
40 AMP POWER CONTACT




MOUNTING HARDWARE

RoHS COMPLIANT

	THESE DRAWINGS AND SPECIFICATIONS ARE THE PROPERTY OF NorComp AND SHALL NOT BE REPRODUCED, COPIED OR USED AS THE BASIS FOR THE MANUFACTURE OR SALE OF APPARATUS WITHOUT WRITTEN PERMISSION.		DRAWN: P. JENKINS	DATE: 8-22-11
			CHECKED:	DATE:
NorComp		SCALE: 1.5 = 1	SHEET 2 OF 3	REV 1
		DWG NO. 684S13W3103L461		



DETAIL A-A
SHOWN FOR REFERENCE ONLY

	THESE DRAWINGS AND SPECIFICATIONS ARE THE PROPERTY OF NorComp AND SHALL NOT BE REPRODUCED, COPIED OR USED AS THE BASIS FOR THE MANUFACTURE OR SALE OF APPARATUS WITHOUT WRITTEN PERMISSION.		DRAWN: P. JENKINS	DATE: 8-22-11	
			CHECKED:	DATE:	
<h1>NorComp</h1>			SCALE: 1.5 = 1	SHEET 3 OF 3	REV 1
			DWG NO. 684S13W3103L461		