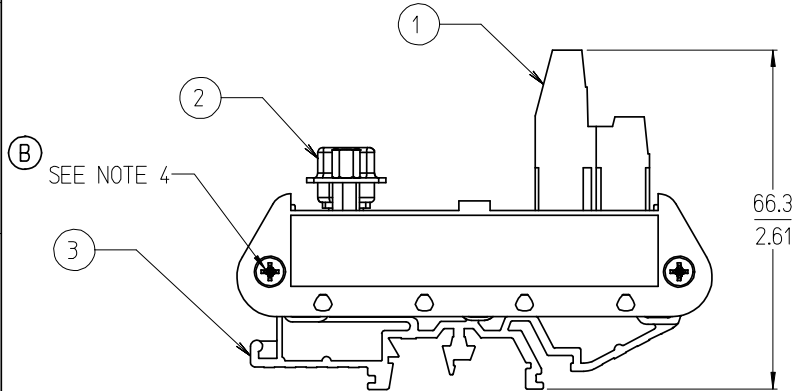


TYPICAL SCHEMATIC

NOTES:

1. MATERIAL: SEE TABLE
2. FINISHES: SEE TABLE
3. MATES WITH: 50 POSITION MALE D-SUB
4. END CAP MOUNT SCREW TORQUE: 0.5 N-m (4.4 lbf-in) MINIMUM
0.6 N-m (5.3 lbf-in) MAXIMUM
5. TERMINAL BLOCK SCREW TORQUE: 0.8 N-m (7.1 lbf-in)
6. ASSEMBLY ROHS COMPLIANCE NOT REQUIRED.



ITEM	QTY.	DESCRIPTION	MATERIAL	FINISH
3	2	DIN RAIL ADAPTOR UNIT	THERMOPLASTIC	BLACK
2	1	FEMALE D-SUB TO 5.08 FIXED, PC BOARD ASSY.	-	-
1	1	5.08 FIXED, DUAL LEVEL BTS	SEE SD-39880-006	BLACK

REV	DESCRIPTION	QUALITY SYMBOLS		GENERAL TOLERANCES (UNLESS SPECIFIED)		DIMENSION STYLE	SCALE	DESIGN UNITS	THIRD ANGLE PROJECTION
		mm	INCH	mm	INCH	MM/IN	1:1	INCH	
B	ADD SCREW TORQUE EC NO: ETC2007-0331 DRAWN: CLYORK CHKD: JMACNEIL APPR: JMACNEIL	2007/03/12	2007/03/14	2007/03/15					
		4 PLACES	±---	±---		DRAWN BY	DATE	TITLE	
		3 PLACES	±---	±.005		C. YORK	2004/11/15	DIN RAIL INTERFACE MOD, 50 POSITION FEMALE D-SUB TO 5.08MM 2 LEV. FIXED	
		2 PLACES	±0.13	±.01		CHECKED BY	DATE		
		1 PLACE	±0.3	±---		R. STONE	2004/11/16		
		ANGULAR ± 2 °				APPROVED BY	DATE		
		DRAFT WHERE APPLICABLE MUST REMAIN WITHIN DIMENSIONS				G. ROBERTSON	2004/11/16		
		MATERIAL NO.		39170-3050		DOCUMENT NO.		SD-39170-008	
		SIZE		B		SHEET NO.		1 OF 1	
		THIS DRAWING CONTAINS INFORMATION THAT IS PROPRIETARY TO MOLEX INCORPORATED AND SHOULD NOT BE USED WITHOUT WRITTEN PERMISSION							