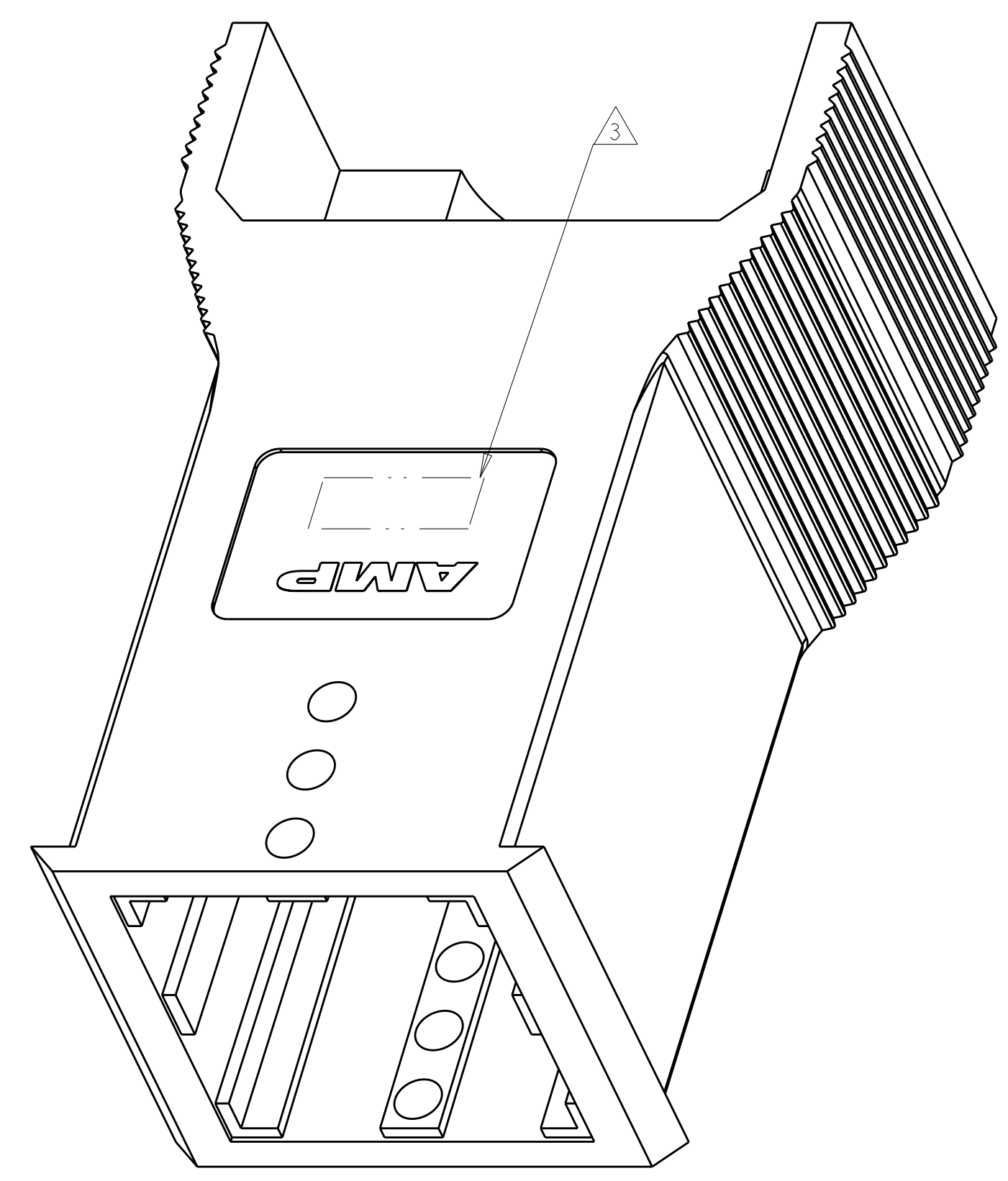
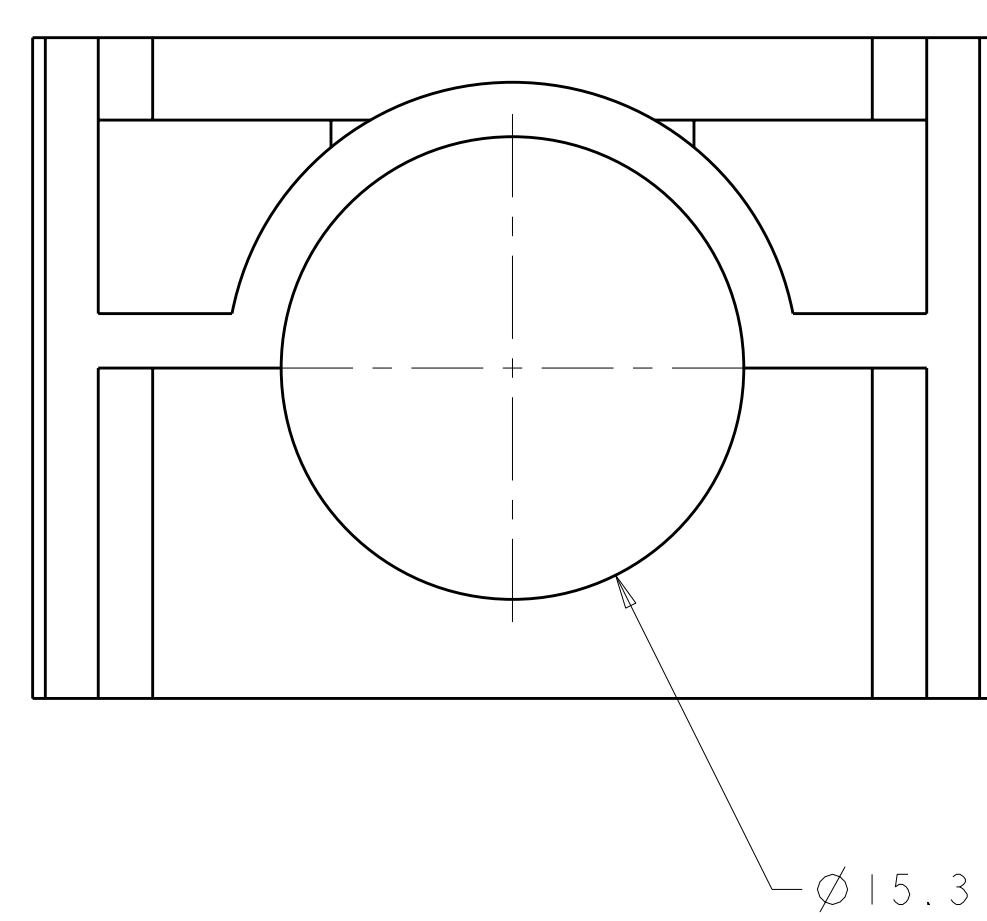
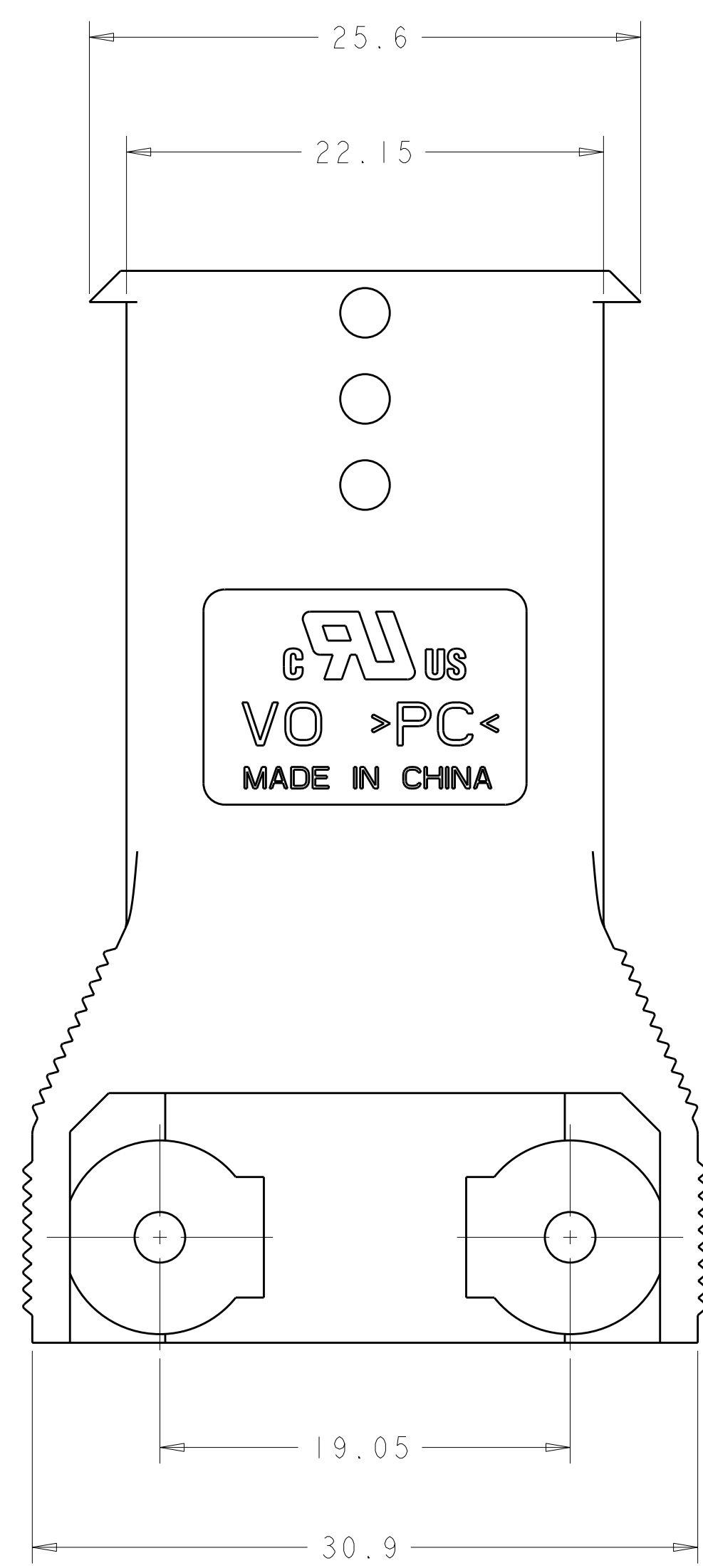
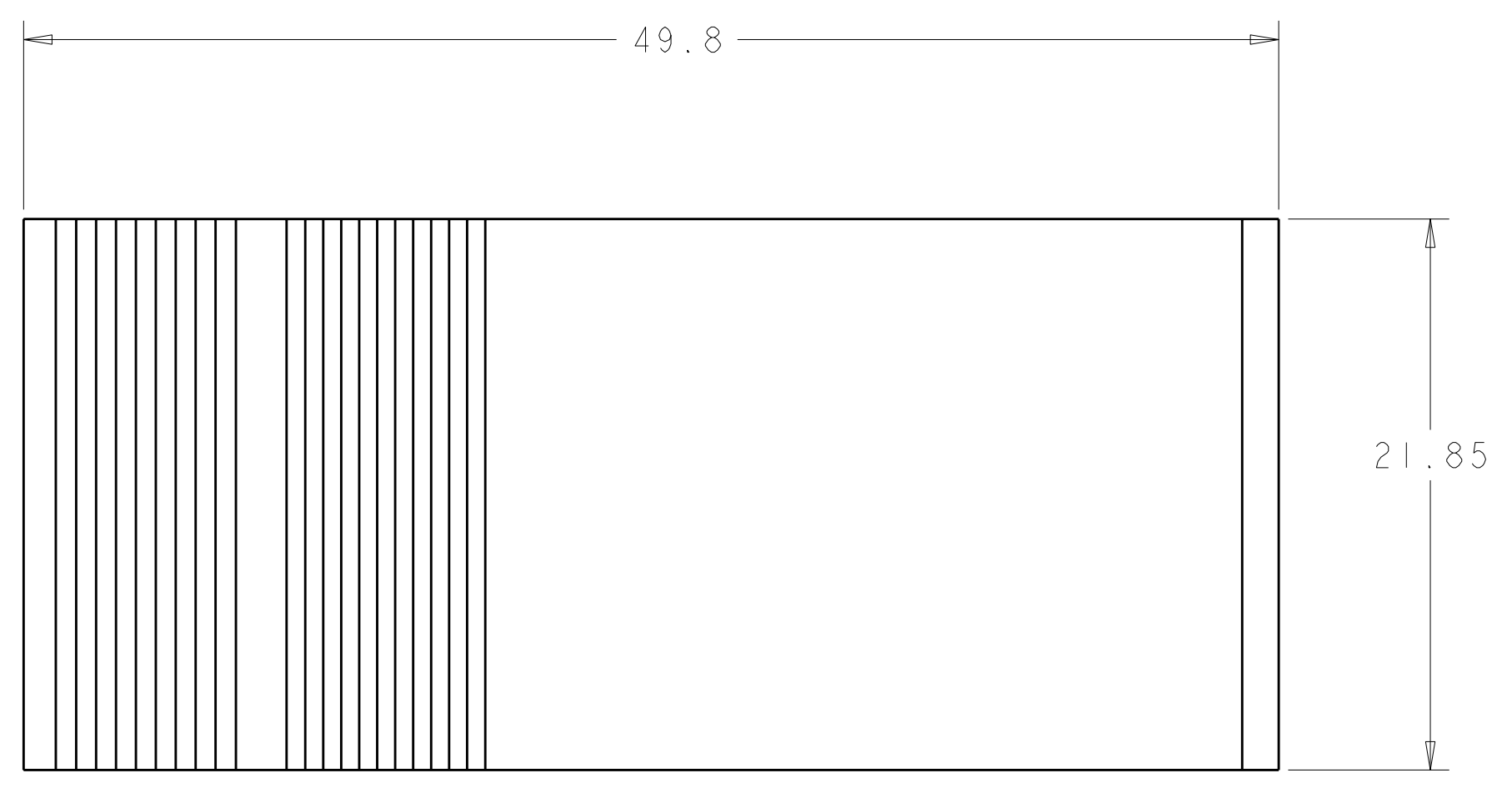


LOC	DIST	REVISIONS			
FT	0	REV	DATE	BY	APPV
		B	03JUN2011	HMR	DY



- 1. MATERIAL: POLYCARBONATE 94-V0
- 2. COLOR: BLACK
- 3. TE OR TE CONNECTIVITY LOGO LOCATED APPROX IN THIS AREA.



1604080-1
 PART NUMBER

THIS DRAWING IS A CONTROLLED DOCUMENT.		DWN: B. HAYMAKER 09JAN2002	STC Connectivity NAME: HOUSING, 2X2 POWER PRODUCT PLUG WITHOUT LATCH	
DIMENSIONS: mm		CHK: K. KETELSLEGER 14MAR02		
TOLERANCES UNLESS OTHERWISE SPECIFIED:		APVD: K. KETELSLEGER 14MAR02	PRODUCT SPEC: -	
0 PLC ±0.13 1 PLC ±0.13 2 PLC ±0.13 3 PLC ±0.13 4 PLC ±0.13 ANGLES ±°		APPLICATION SPEC: -	RESTRICTED TO: -	
MATERIAL: -		WEIGHT: -	SIZE: A100779 C=1604080	
FINISH: -		CUSTOMER DRAWING	SCALE: 4:1	SHEET 1 OF 1