

LOC Q DIST

REVISIONS

P	LTR	DESCRIPTION	DATE FECHA	DWN DIBUJO	APVD APROBADO
	Q	RELEASED	2/8/93	B.A.	B.A.
A		REDRAWN & ADD DIMENSIONS	2/8/93	B.A.	B.A.
B		ADD DIM & SCREW SPECIFICATION	2/8/96	ACH	ACH
C		LM00 - 0009 - 97	27/1/97	ACH	ACH
D		LM00 - 0110 - 97	14/5/97	ACH	ACH
E		0G3A-0577-02	19/09/02	JR	ND

NOTES:



3

4

5

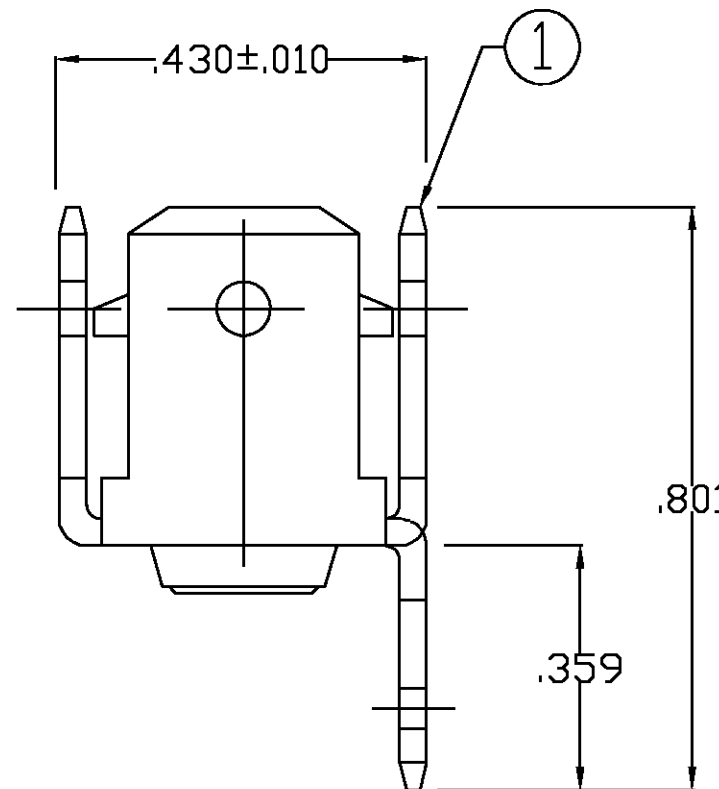
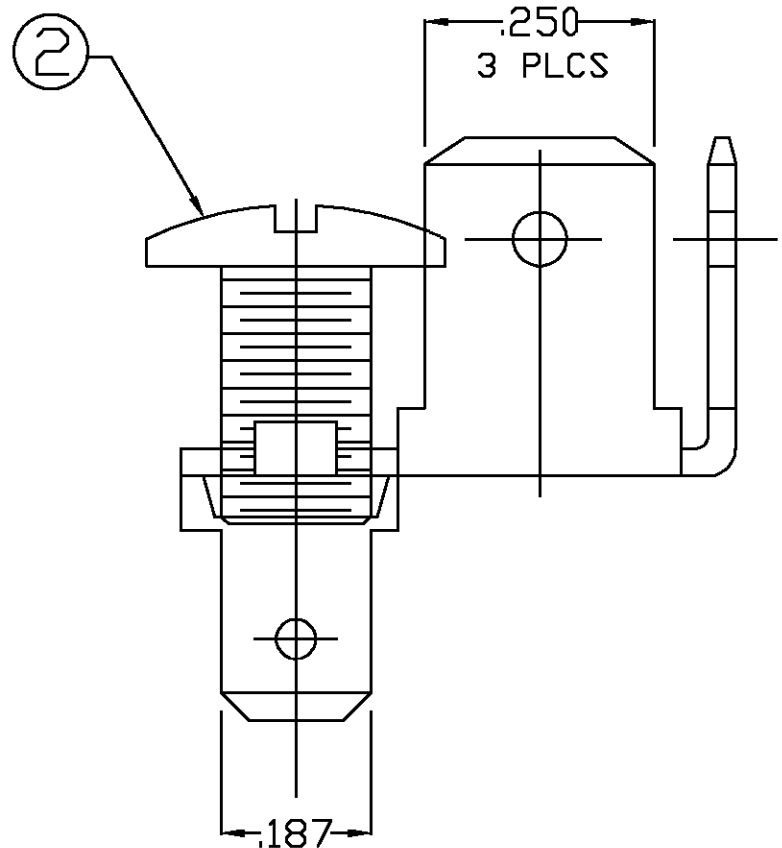
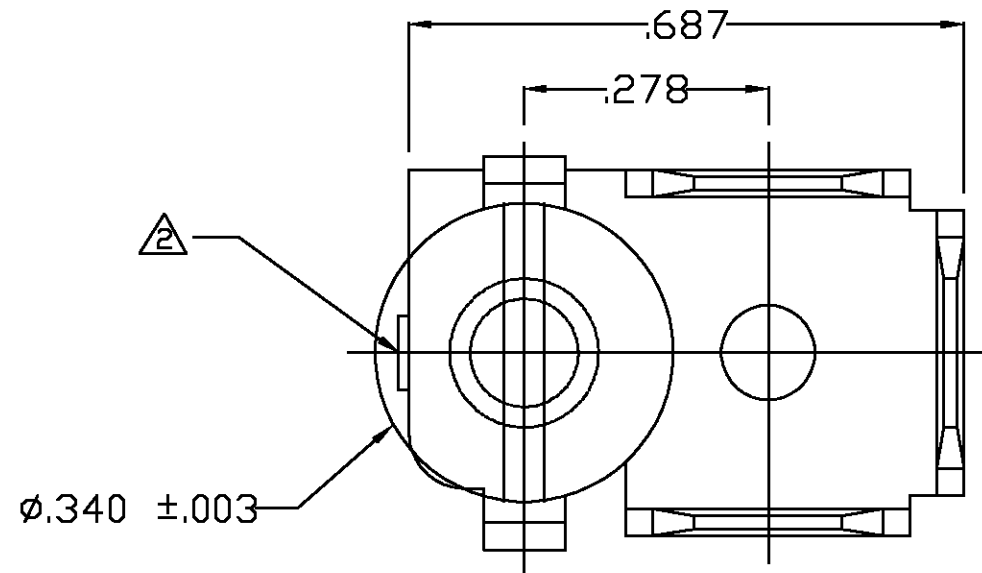
PART NUMBER	DESCRIPTION
157423-1	Binding Head .340dia #10-32 .312 long. Brass Screw (Electrical Type)
157423-2	Binding Head .340dia #10-32 .312 long. Brass Screw (Electrical Type) Bright Nickel Finish

CUTOFF MAX. ALLOWED 0.015

TORQUE OF 2-8 LB-IN ON SETTING OF SCREW

THREADS DEFORMED SO AS NOT TO ALLOW REMOVAL OF THE SCREW

PART TO BE CLEAN AND OIL FREE



2	157423-2	SCREW (NICKEL PLATED)	1	△	NONE	
2	157423-1	SCREW	1	△	NONE	
1	157422-1	TAB FASTON .250 8 .187S.	1	1	BRASS 100-86 0.032+-0.001 082	
ITEM	PART NUMBER	DESCRIPTION	-1 -2	MATERIAL	DIMENSIONS	HEAT TREAT

THIS DRAWING IS A CONTROLLED DOCUMENT FOR AMP INCORPORATED. IT IS SUBJECT TO CHANGE AND THE CONTROLLING ENGINEERING ORGANIZATION SHOULD BE CONTACTED FOR THE LATEST REVISION. ESTE PLANO ES UN DOCUMENTO CONTROLADO POR AMP INCORPORATED. ESTA SUJETO A CAMBIOS Y HAY QUE CONTACTAR AL DEPT. DE INGENIERIA POR LA ULTIMA REVISION.

DWN/DIBUJO: A. CHAVEZ 08/26/96
CHK/CONTROL: A. CHAVEZ 08/26/96
APVD/APROBADO: A. CHAVEZ 08/26/96

AMP de Mexico S.A.
Tlalnepantla, Mexico.

FASTON TAB ASSY

DIMENSIONS: MEDIDAS, IN. TOLERANCES UNLESS OTHERWISE SPECIFIED TOLERANCIAS SALVO OTRA INDICACION.
0 PLC/LUG ±
1 PLC/LUG ±
2 PLC/LUG ±
3 PLC/LUG ± 0.015"
4 PLC/LUG ±
ANGLES/ANGULOS ± 1°

MATERIAL FINISH ACABADO: √

SIZE/TAMAÑO: A3 CAGE CODE/CODIGO DE CELDA: 00779 DRAWING NO./PLANO NO.: 157431

WEIGHT/PESO: SCALE/ESCALA: NTS SHEET/HOJA: 1 OF/DE: 1 REV: E