



PANDUCT PANELMAX
DIN Rail Wiring Duct

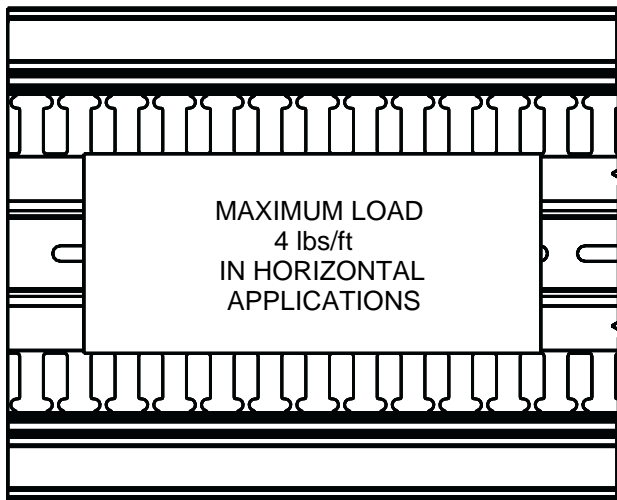
For Use With *PANDUIT*
PANDUCT Types D, F, G,
H, and HN Wiring Duct

Part Numbers: DRD22**6, DRD33**6, DRD44**6, DRDC2**6, DRDC3**6, DRDC4**6, DRDCS2, DRDCS3, DRDCS4, DRDWR2, DRDWR3, DRDWR4, DRDSF, NR1, TNR, DNT-100

INSTALLATION INSTRUCTIONS

© Panduit Corp. 2009

Component Weight and Temperature Compatibility

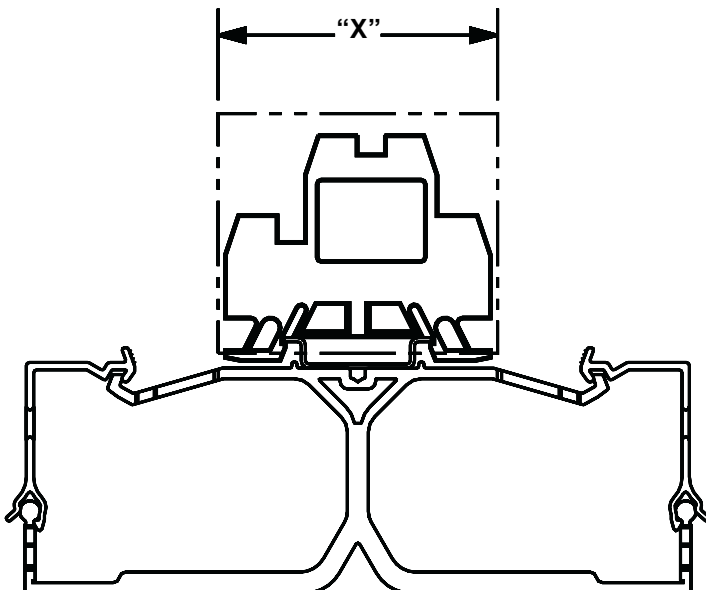


DIN Rail Wiring Duct is designed for use up to but not exceeding the UL recognized continuous use temperature, **50°C (122°F)**. Prolonged exposure to higher temperatures is not recommended and can damage product.



Do not mount heat-generating components such as drives or power supplies to DIN Rail Wiring Duct.

Component Width Compatibility



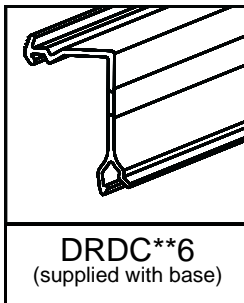
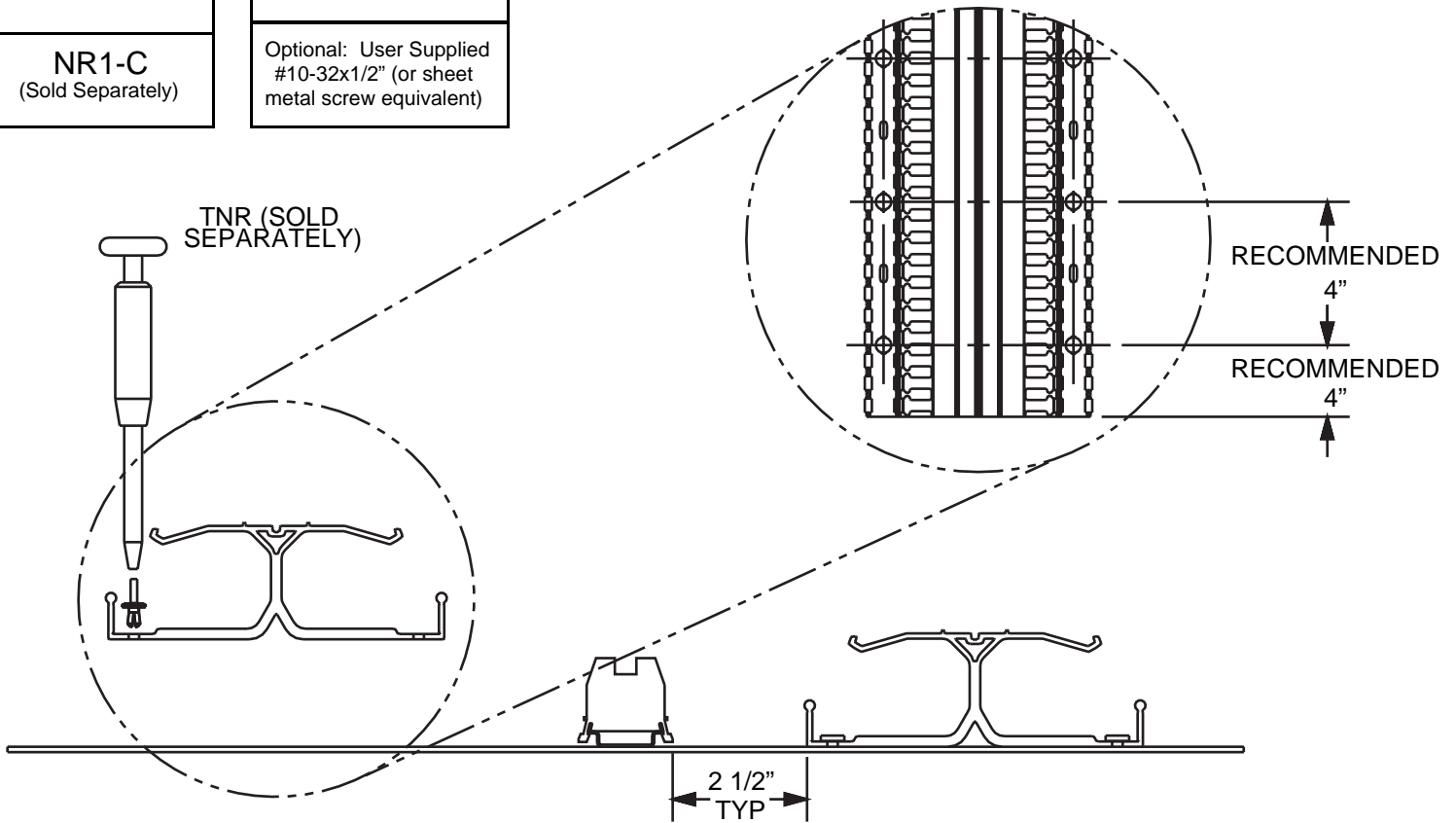
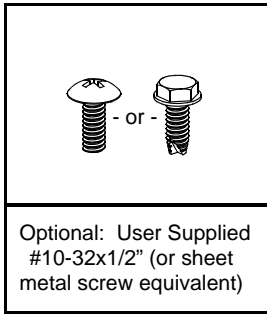
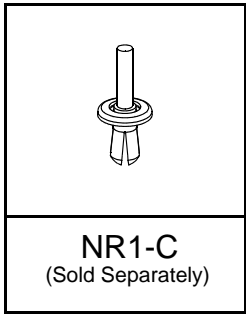
DIN Rail Wiring Duct	Recommended Maximum Component Width "X"
DRD22**6	2 5/8"
DRD33**6	2 5/8"
DRD44**6	3 5/8"

Component use within recommended maximum width ensures top wire slots are fully accessible.

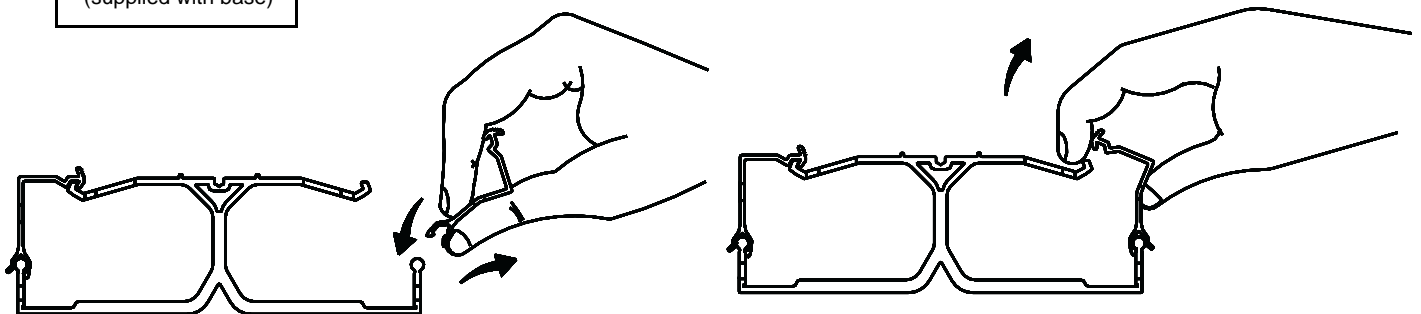
For Technical Assistance, Call: 800-777-3300

INSTALLATION INSTRUCTIONS

DIN Rail Wiring Duct Installation and Fastener Spacing

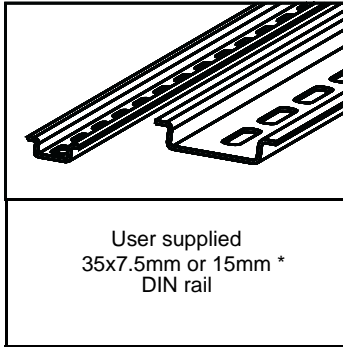
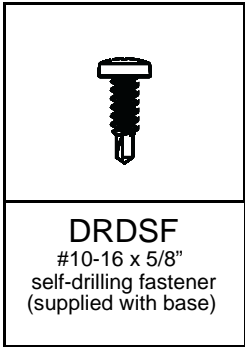


Cover Installation, Operation, and Removal

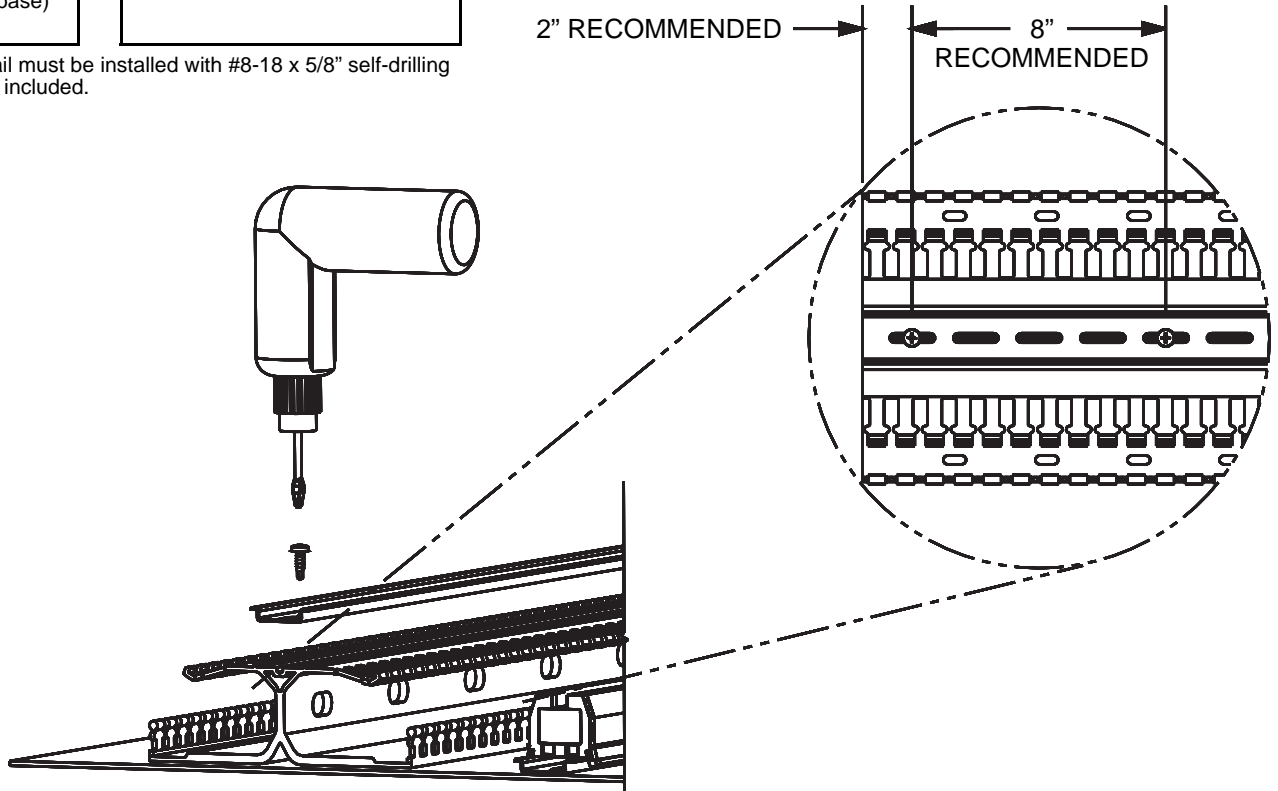


INSTALLATION INSTRUCTIONS

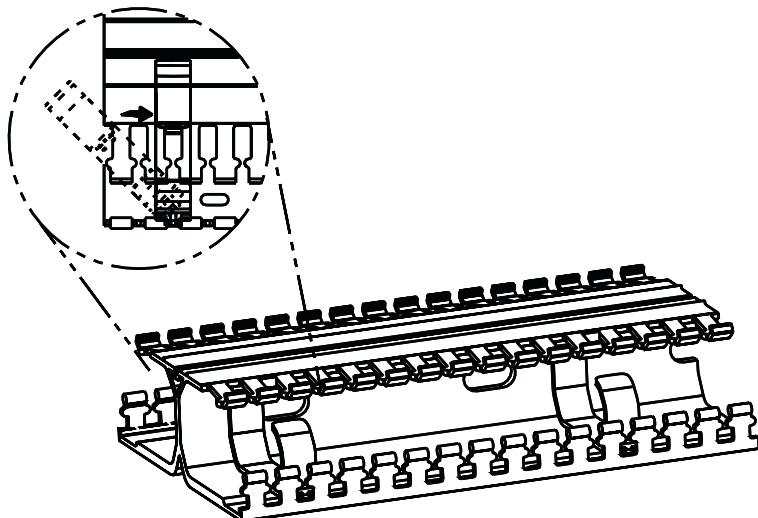
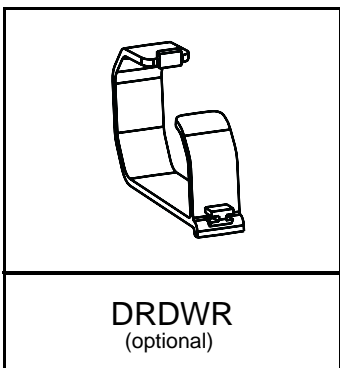
Installing Rail to DIN Rail Wiring Duct



* 15mm DIN rail must be installed with #8-18 x 5/8" self-drilling fastener, not included.

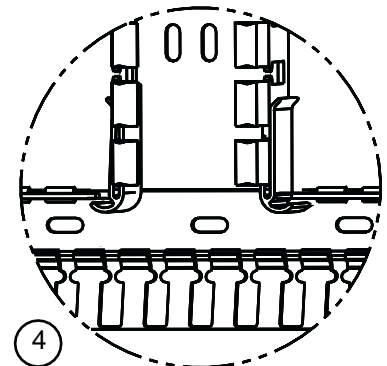
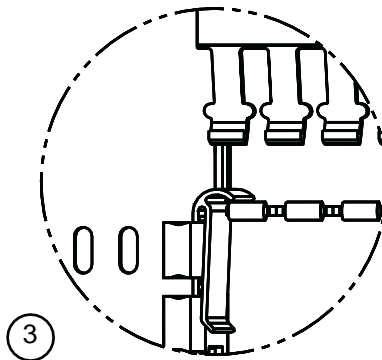
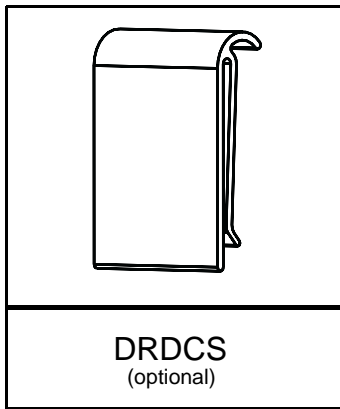
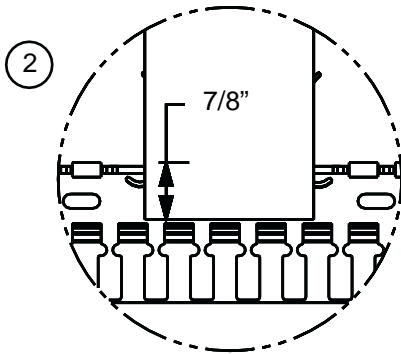
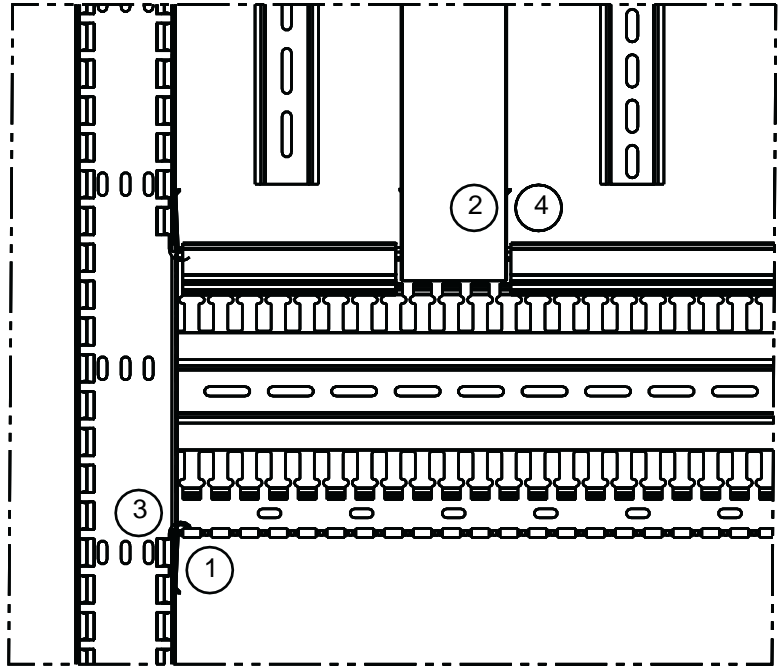
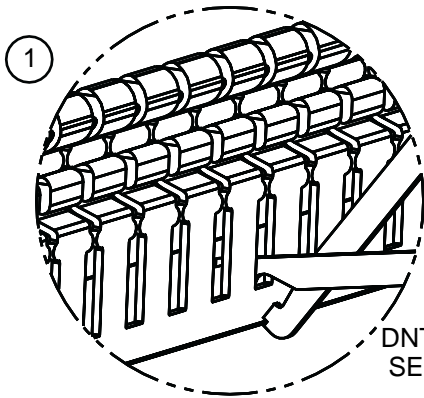


Optional Wire Retainer

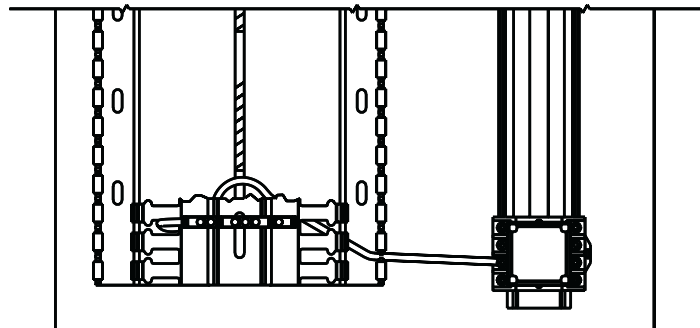
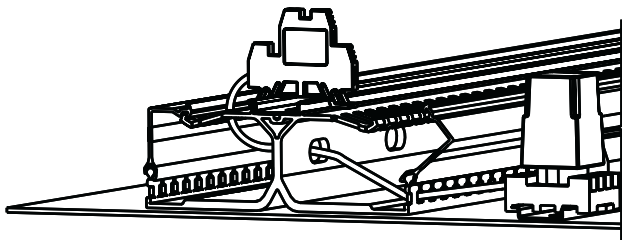


INSTALLATION INSTRUCTIONS

Transitions to Conventional Wiring Duct and Optional Corner Strip



Utilizing Pass Through Holes to Shorten Wiring Path



Instruction Sheet RW254

WORLDWIDE SUBSIDIARIES AND SALES OFFICES

17301 Ridgeland Avenue
Tinley Park, IL 60477-3901
Web Site: www.panduit.com



Fax: 708-532-1811
Technical Support: 800-777-3300
E-mail: cs@panduit.com