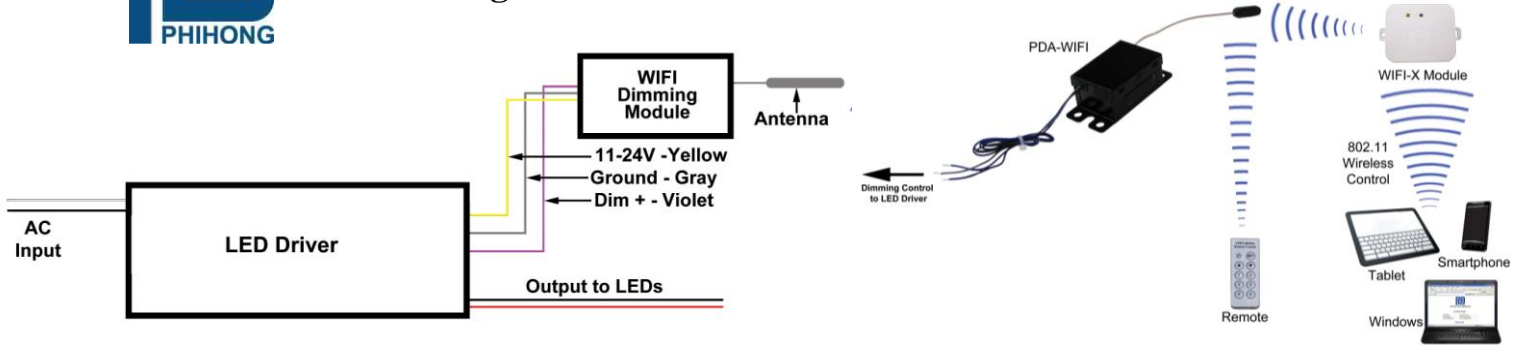




Modular Accessory for Remote Control of Lighting Fixtures Using a Remote or Browser and Wireless Access Point



Features

- Remotely turn lights on/off
- Windows GUI available
- GUI interface accessible via a device with a browser and WiFi via WIFI-X
- Retrofit Kits
- Control up to 6 fixtures from one module
- GUI can control up to 64 Modules
- Dimming control
- Control luminaires with remote
- Android/iOS applications available for smartphones and tablets
- WiFi Antenna Range of 150m
- <10m range for RF controller

Applications

- Indoor Lighting

Product Specifications

Model	Description	Product Image
PDA-WIFI	Dimming Module	
PDA-WIFI-X	WIFI Module	
RCA-RF	Remote	

Note *: Part numbers are sold separately

Phihong is not responsible for any error, and reserves the right to make changes without notice. Please visit our website at www.phihong.com for the most up-to-date specifications and contact information.

Mechanical Characteristics

PDA-WIFI

- Length: 90.2mm (3.6in)
- Width: 43mm (1.7in)

- Height: 31mm (1.2in)
- Weight: 106g (3.7oz)

PDA-WIFI-X

- Length: 91mm (3.58in)
- Width: 57mm (2.24in)

- Height: 20mm (.79in)
- Weight: 50.5g (1.78oz)

RCA-RF

- Length: 86.2mm (3.39in)
- Width: 33 mm (1.29in)

- Height: 8mm (0.31in)
- Weight: 16.5g (0.58oz)

PDA-WIFI Characteristics

WWW.PHIHONG.COM

INPUT:

AC Input Voltage

11V~24V

Input Current

28mA

Ingression Protection

IP50

Environmental:

Temperature

Operation -20 to 50°C
Operating Humidity 10% to 95%

Input / Output Connections

Position	Terminal Color	Specification	Length
Dim+	Violet	AWG22 Solid Wire	400mm
Ground	Grey	AWG22 Solid Wire	400mm
Aux	Yellow	AWG22 Solid Wire	400mm

PDA-WIFI-X Characteristics

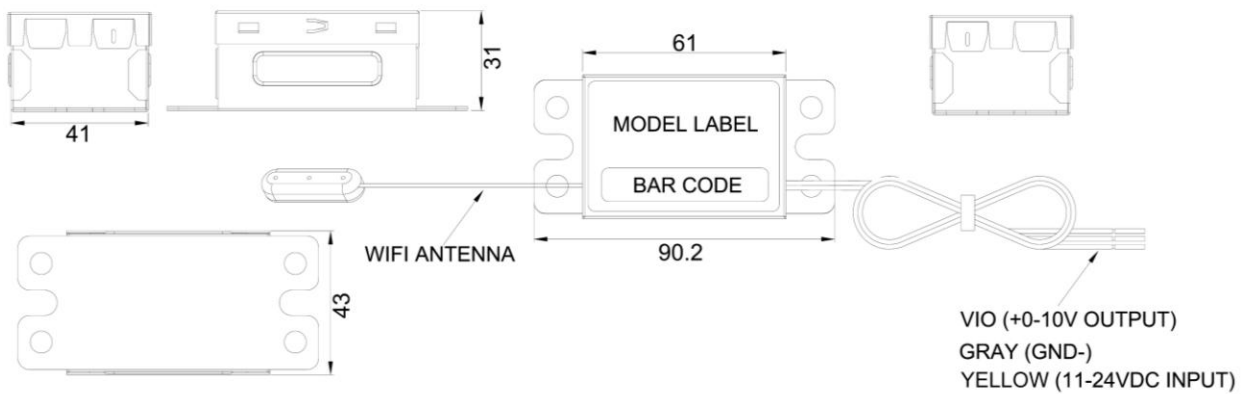
WWW.PHIHONG.COM

Data Rate	IEEE 802.11b: 1, 2, 5.5 and 11 Mbps IEEE 802.11g: 6, 9, 12,18, 24, 36, 48 and 54 Mbps Supports TX rate auto fall-back mechanism	
Radio	Frequency Range	2.412~2.484 GHz
	Number of Selectable Sub-channels	Up to 14 channels. Profiles available include USA, Canada, Europe, Spain, France, Japan, China, Taiwan and "Other"(multiple countries)
	Modulations	IEEE 802.11b: DSSS with DBPSK,DQPSK and CCK IEEE 802.11g: DSSS with DBPSK,DQPSK and CCK OFDM with BPSK, QPSK, 16QAM
	Antenna	Integrated PCB antenna
RF Receiver Max Receive Level	802.11b DSSS : -5 dBm 802.11b CCK : -10dBm 802.11g OFDM : -15 dBm	
RF Receiver Max Receive Sensitivity	802.11b : -92dBm @1Mbps; -90dBm@ 2Mbps; -89dBm @5.5Mbps; -85dBm @11Mbps 802.11g : -82dBm @6Mbps; -82dBm@ 9Mbps; -82dBm @12Mbps; -82dBm @18Mbps -79dBm@ 24Mbps; -76dBm @36Mbps; -71dBm @48Mbps; -70dBm @54Mbps	
RF Max Output Power	802.11b : 16.5±1dBm 802.11g : 14±1dBm@54Mbps; 15±1dBm@48Mbps; 16±1dBm@6~36Mbps	
Range	Max outdoor range up to 150m, line of sight	
Security	802.11i security: WEP64/128, TKIP(WAP-PSK) and AES (WPA2-PSK)	

802.11e QoS	1 TX queue but selectable AC for user's application data
WIFI Power Saving	Supports 3 WIFI power saving modes in normal operation of Infrastructure mode with auto-wakeup timer for upcoming Beacon frame reception. <ul style="list-style-type: none"> . typical Power Saving Mode . Fast Power Saving Mode . Maximum Power Saving Mode
Protocols Supported	Supports IP/TCP/UDP/ICMP/IGMP Checksum and ARP in hardware; supports TCP, UDP, ICMP, IPv4, DHCP, BOOTP, ARP, DNS, SMTP, SNTP, UPnP, PPPoE, HTTP in software.
Firmware Upgrade	Supports In-system Programming(ISP) for initial Flash memory programming via UART or TCE adaptor; supports reprogrammable boot code or run-time firmware through Ethernet, WIFI or UART interface (US Patent Pending)
Management	Internal web server, Serial login, Telnet login or Windows application utility

Dimension Diagram unit: mm

PDA-WIFI



PDA-WIFI-X

