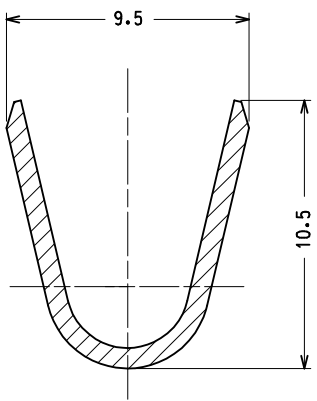
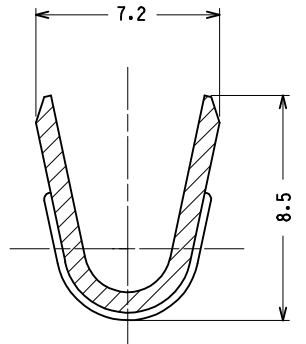


10 9 8 7 6 5 4 3 2 1

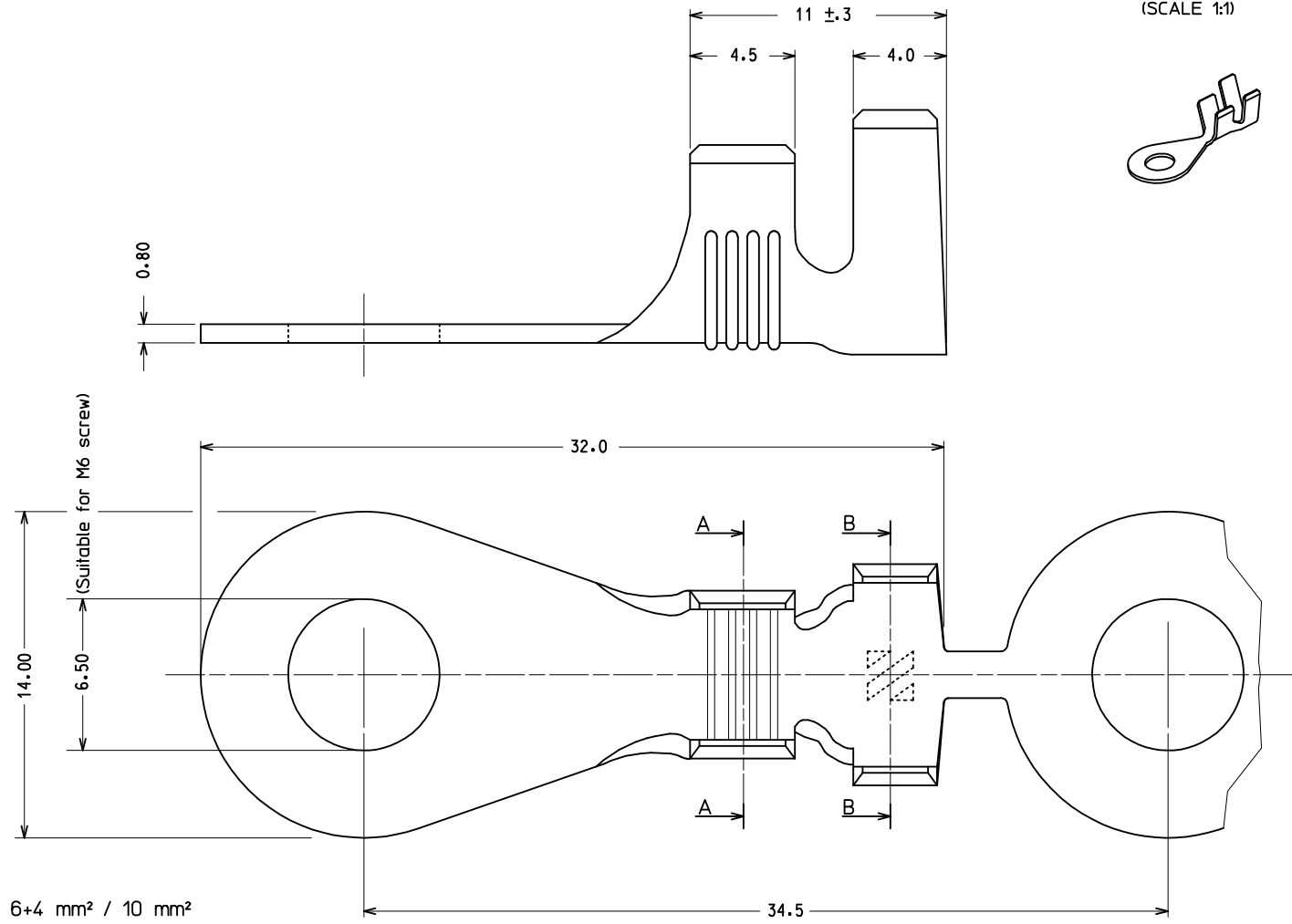
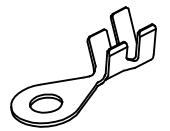
SECTION B-B



SECTION A-A



ISOMETRIC VIEW
(SCALE 1:1)



SEZIONE CAVO = 4+2.5 mm² / 4+4 mm² / 8 mm² / 6+4 mm² / 10 mm²
 WIRE SECTION = 4+2.5 mm² / 4+4 mm² / 8 mm² / 6+4 mm² / 10 mm²

φ ISOLANTE = 7.1 mm max.
 INSULATION φ = 7.1 mm max.
 MATERIALE: OTTONE CuZn33
 MATERIAL: BRASS CuZn33
 FINITURA: POST-STAGNATO
 PLATING: POST-TINNED

EC NO: Z2013-0152 DRWNL: SANTESS 2013/04/16 CHKD: SANTESS 2013/04/16 APPR: FB/SELLO 2013/04/16 REV	QUALITY SYMBOLS	GENERAL TOLERANCES (UNLESS SPECIFIED)	DIMENSION STYLE	SCALE	DESIGN UNITS	FIRST ANGLE PROJECTION
	▽=0	mm INCH	MM ONLY	5:1	METRIC	
	∇=0	4 PLACES ± --- ± ---	DRAWN BY DATE			TITLE
		3 PLACES ± --- ± ---	LSANTESS 2011/06/14			
		2 PLACES ± 0.1 ± ---	CHECKED BY DATE			MOLEX INCORPORATED DOCUMENT NO. SD-94030-701 SHEET NO. 1 OF 1
	1 PLACE ± 0.2 ± ---	LSANTESS 2011/06/14				
	ANGULAR ± 2 °	APPROVED BY DATE				
		SBARBIER 2011/06/15				
		MATERIAL NO.				
		94030-7010				
		DRAFT WHERE APPLICABLE MUST REMAIN WITHIN DIMENSIONS	SIZE			
			A3			
			THIS DRAWING CONTAINS INFORMATION THAT IS PROPRIETARY TO MOLEX INCORPORATED AND SHOULD NOT BE USED WITHOUT WRITTEN PERMISSION			

9 8 7 6 5 4 3 2 1