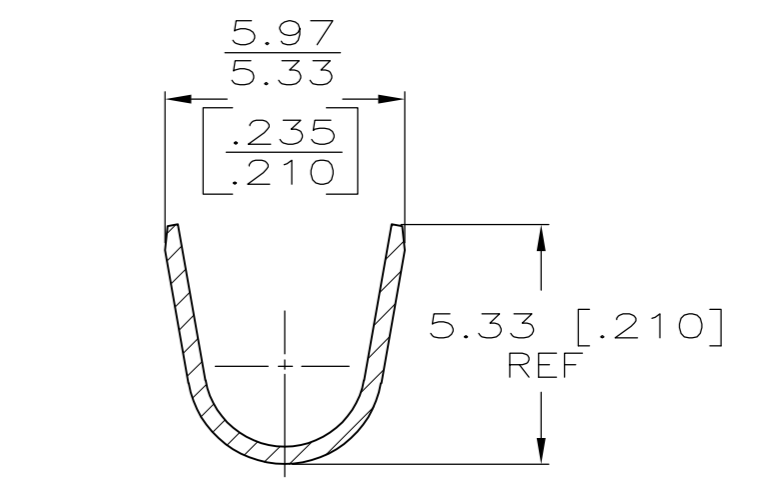
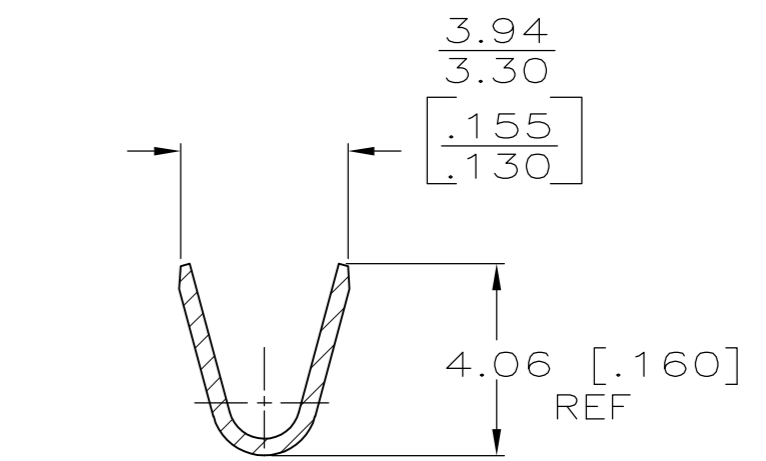
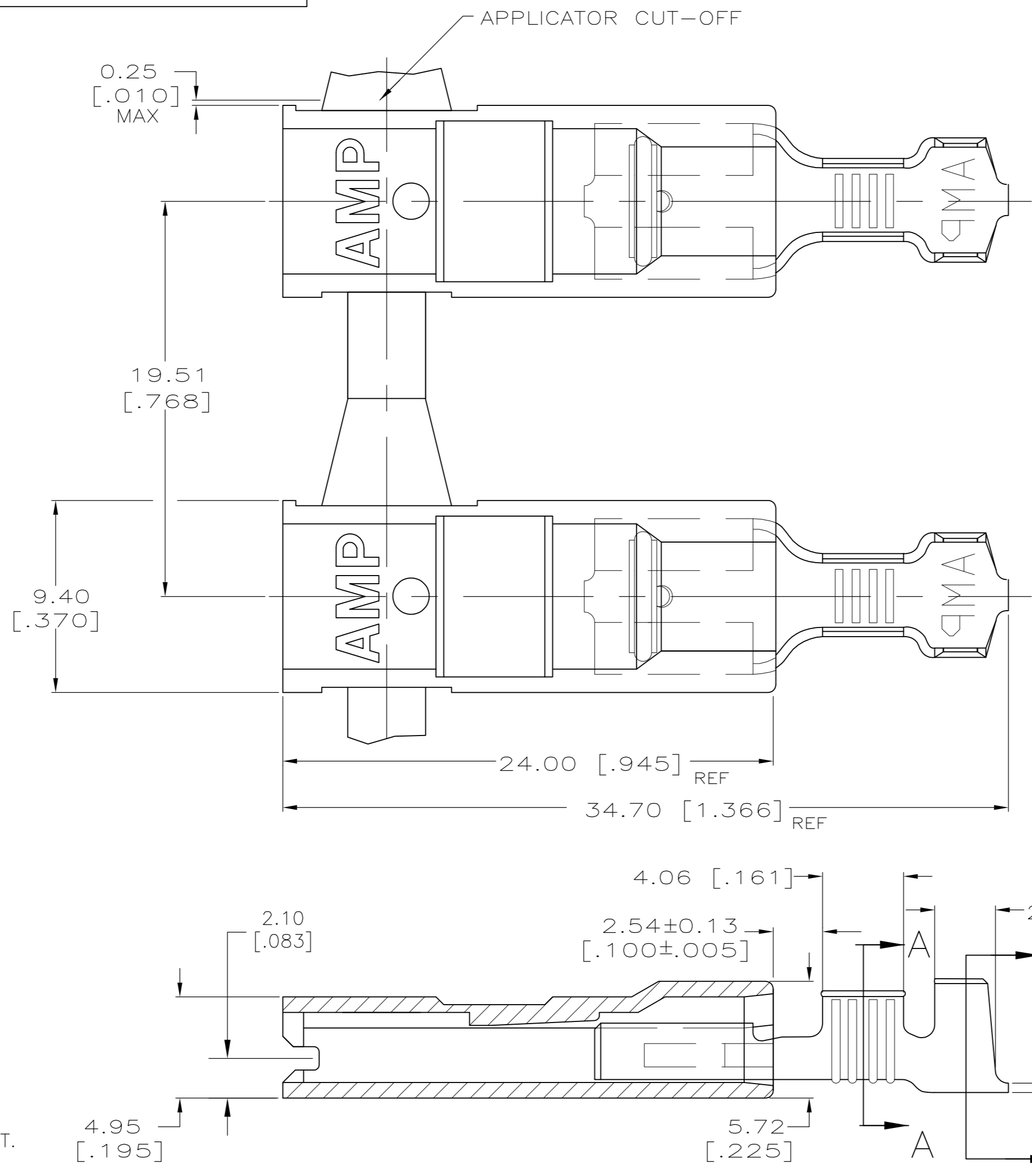


THIS DRAWING IS UNPUBLISHED. RELEASED FOR PUBLICATION
 © COPYRIGHT BY TYCO ELECTRONICS CORPORATION. ALL RIGHTS RESERVED.

LOC	DIST	REVISIONS			
P	LTR	DESCRIPTION	DATE	DWN	APVD
AF	50				
	A2	REVISED PER ECR-07-020463	28AUG07	HMR	GP



- 1 BUDGET FASTON TERMINALS, BASE P/N 63884, ARE USED IN THIS PRODUCT.
- 2 WIRE SIZE 0.8-2.0mm [18-14] AWG
- 3 INSULATION RANGE IS 2.79-4.32 [.110-.170] DIA.
- 4 MATING TAB THK IS 0.813±0.025 [.032±.001].
- 5 PRELIMINARY - NOT FOR PRODUCTION.
- 6 GLOW WIRE APPROVED; CONTACT TE ENGINEERING FOR SPECIFICATION (ALL WALL THICKNESSES ARE BETWEEN 0.4-3.0 [.015-.118])

STANDARD	MATERIAL: 4M BRASS FINISH: 0.002032 [.000080] MIN TIN	MATERIAL: V2, NYLON COLOR: NATURAL (WHITE)	5 1969104-2
STANDARD	MATERIAL: 4M BRASS FINISH: PLAIN	MATERIAL: V2, NYLON COLOR: NATURAL (WHITE)	6 1969104-1
PACKAGING	TERMINAL	HOUSING	PART NO.

THIS DRAWING IS A CONTROLLED DOCUMENT.		DWN RAGHAVENDRA 03APR2007	Tyco Electronics Corporation Harrisburg, PA 17105-3608	
DIMENSIONS: INCHES		CHK G PORTA 03APR2007	NAME	
TOLERANCES UNLESS OTHERWISE SPECIFIED:		APVD G PORTA 03APR2007	PRODUCT SPEC	
0 PLC ± -		108-1285		
1 PLC ± -		APPLICATION SPEC		
2 PLC ± -		114-2124		
3 PLC ± 0.25 [.010]		SIZE CAGE CODE DRAWING NO RESTRICTED TO		
4 PLC ± -		A2 00779 C=1969104		
ANGLES ± -		SCALE 5:1 SHEET 1 of 1 REV A2		
FINISH		CUSTOMER DRAWING		