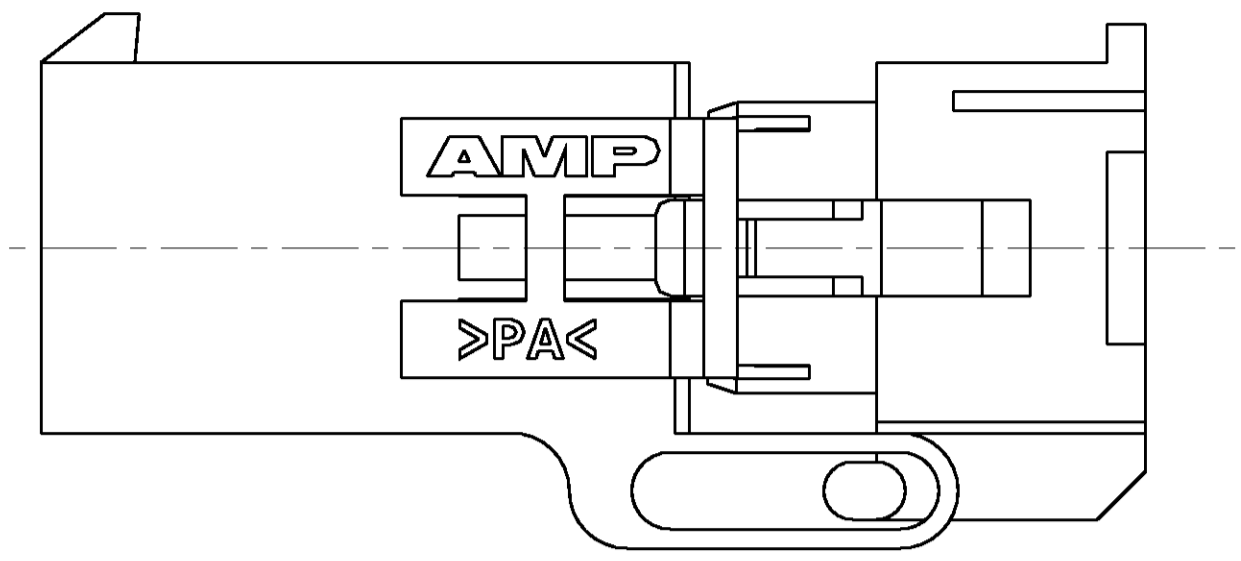
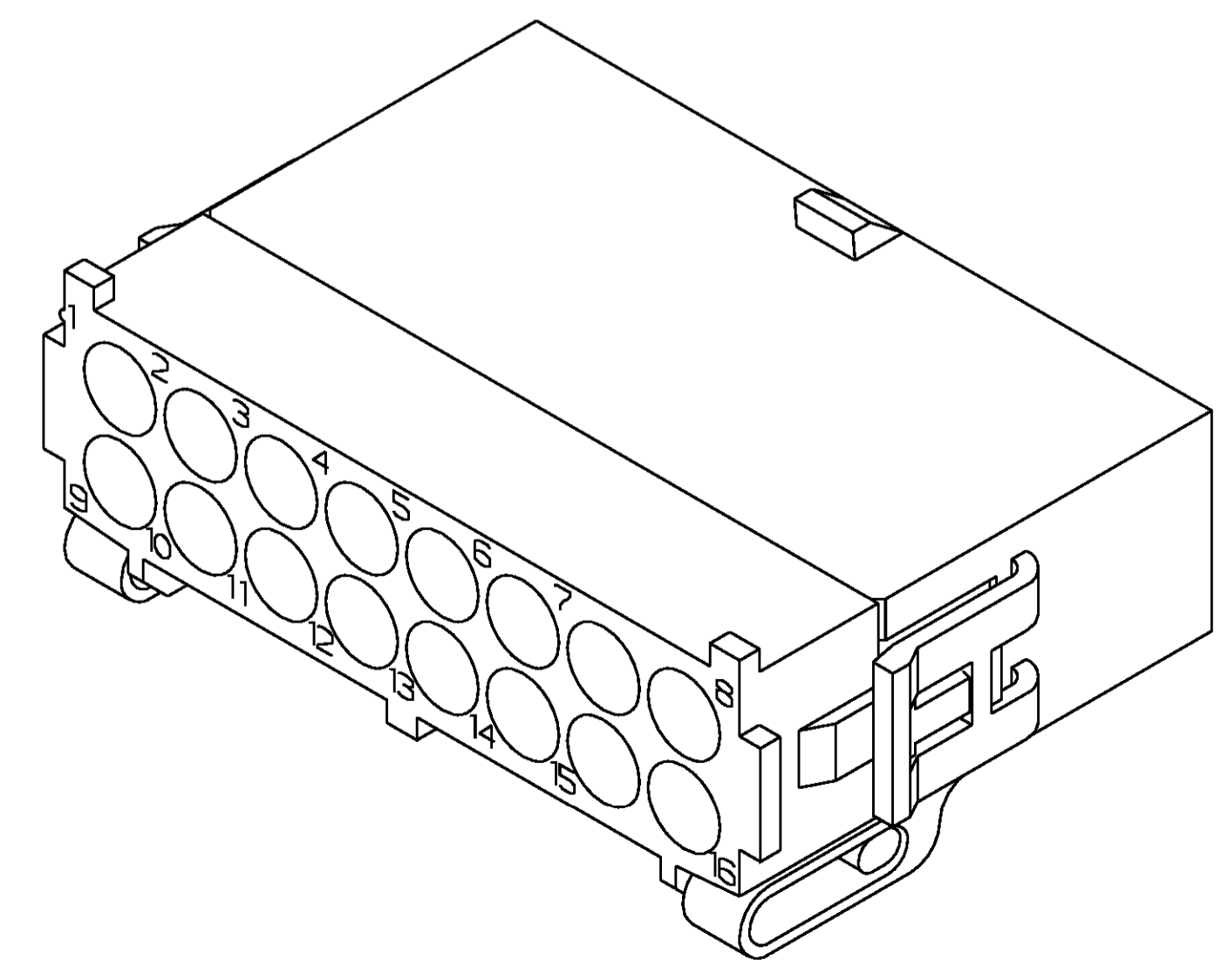
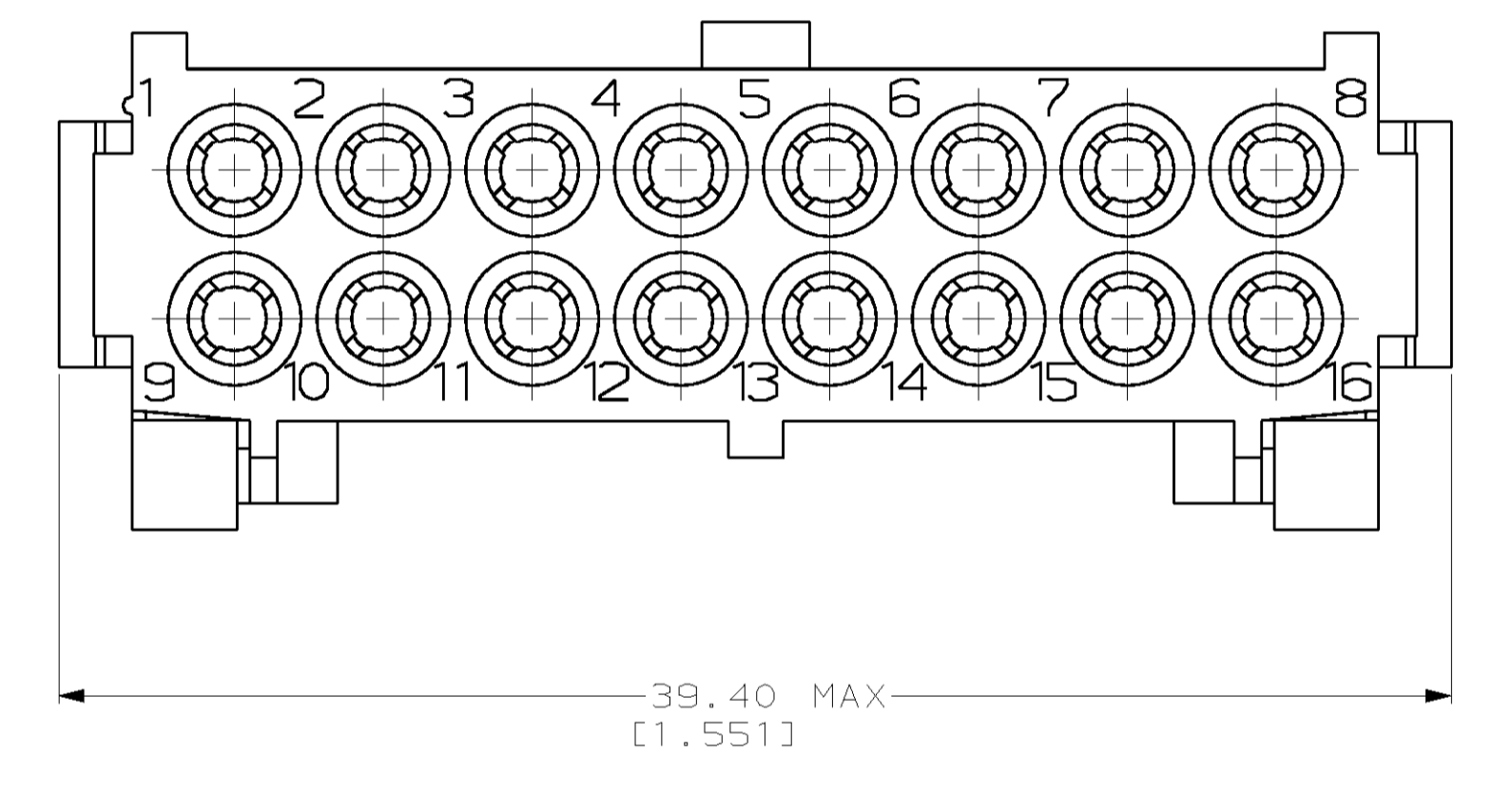
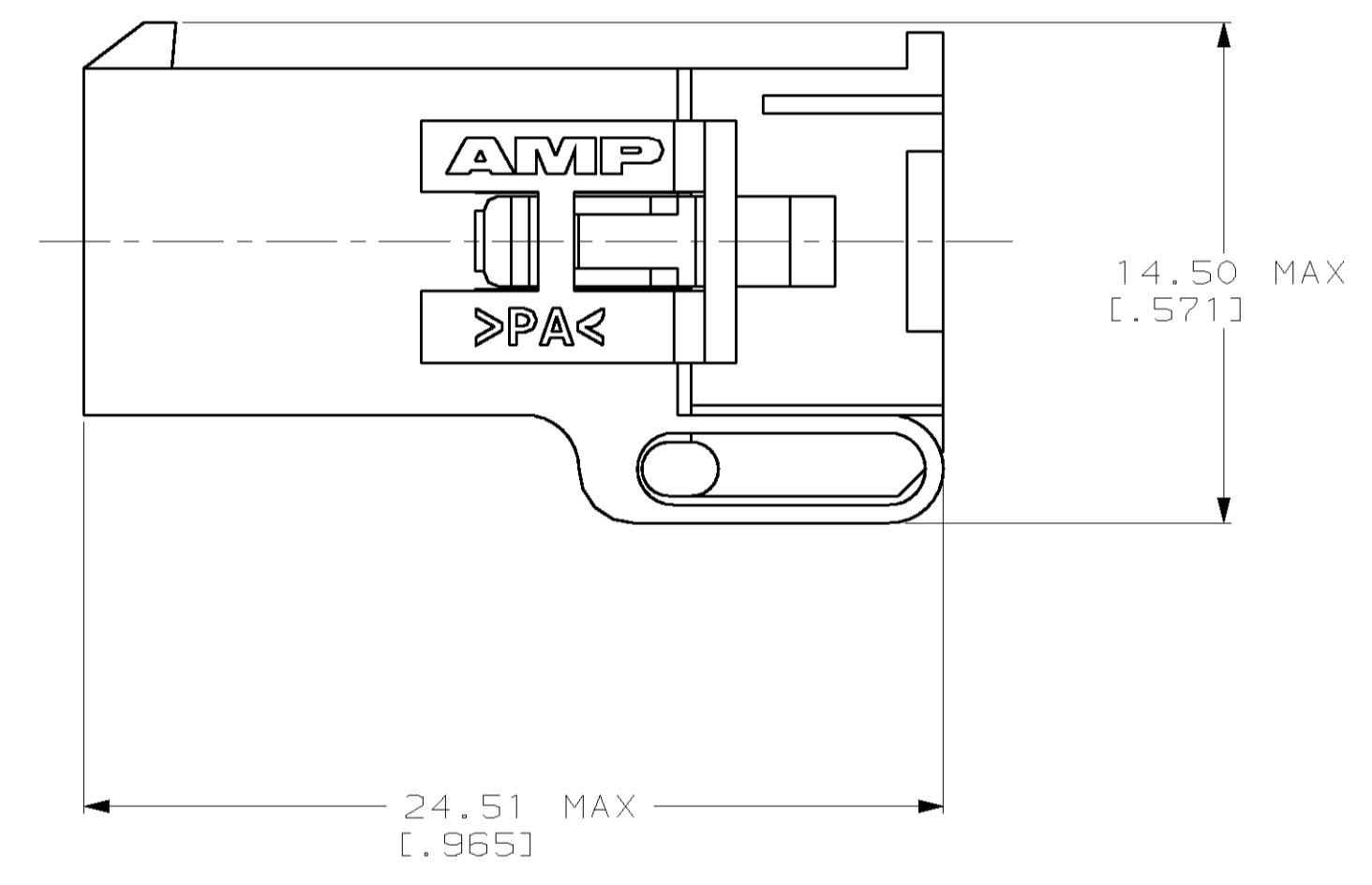
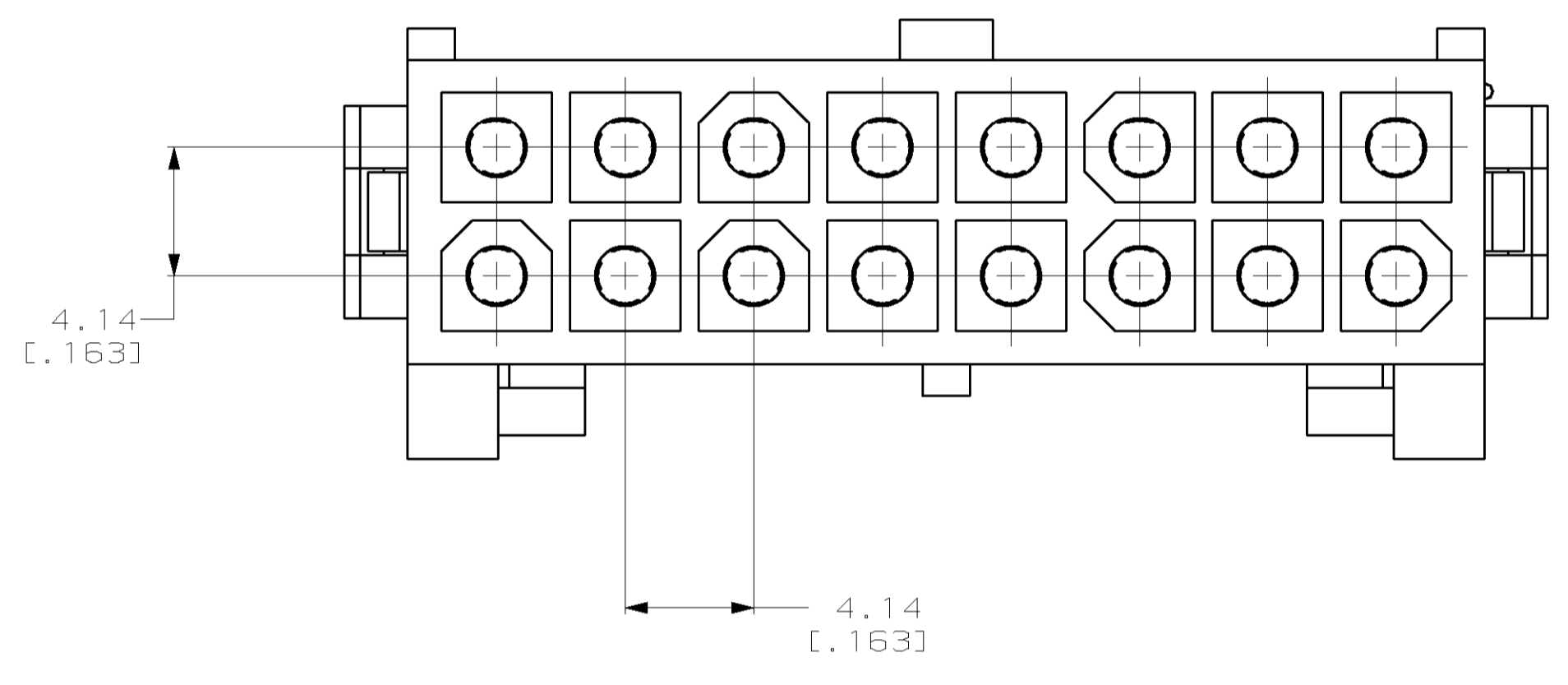


| LOC |     | DIST      |    | REVISIONS |                         |      |    |        |
|-----|-----|-----------|----|-----------|-------------------------|------|----|--------|
| F   | CHR | DATE      | BY | APPROV    | DESCRIPTION             | DATE | BY | APPROV |
| A   |     | 23-SEP-99 | KW | KC        | REV PER EC 061B-0094-99 |      |    |        |



PRE-STAGED CONDITION

1. DIMENSIONS IN BRACKETS ARE IN INCHES.



3-DIMENSIONAL MODEL  
NTS

794207-1  
PART NUMBER

**METRIC**

|  |  |                     |         |        |   |   |
|--|--|---------------------|---------|--------|---|---|
| THIS DRAWING IS A CONTROLLED DOCUMENT.                                     |  | DWN<br>K. WHITAKER  | 5-19-97 |        | AMP Incorporated<br>Harrisburg, PA 17105-3608 |   |
| DIMENSIONS:  |  | CHK<br>R. SWING     | 5-19-97 |        | NAME  | CAP,<br>16 CIRCUIT,<br>MINI UNIVERSAL MATE-N-LOK™ 2 |
| TOLERANCES UNLESS OTHERWISE SPECIFIED:                                     |  | APPROV<br>S. ORSTAD | 5-19-97 |        | PRODUCT SPEC                                  |   |
| 0 PLC ±<br>1 PLC ±<br>2 PLC ±<br>3 PLC ±0.13 (.005)<br>4 PLC ±<br>ANGLES ± |  | APPLICATION SPEC    |         |        | SIZE  | A1 00779 C-794207                                   |
| MATERIAL NYLON,<br>UL 94V-0, NATURAL                                       |  | FINISH              |         | WEIGHT |   |   |
|  |  | CUSTOMER DRAWING    |         | SCALE  | 5:1   |   |
|  |  |                     |         | SHEET  | 1 OF 1  |   |
|  |  |                     |         | REV    | A   |   |