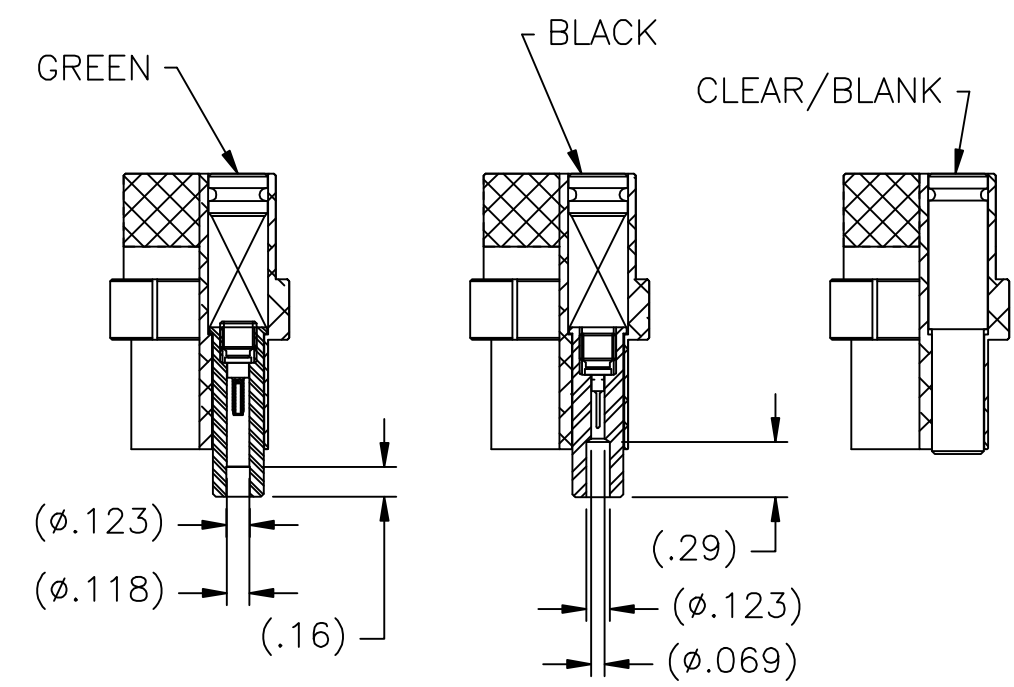
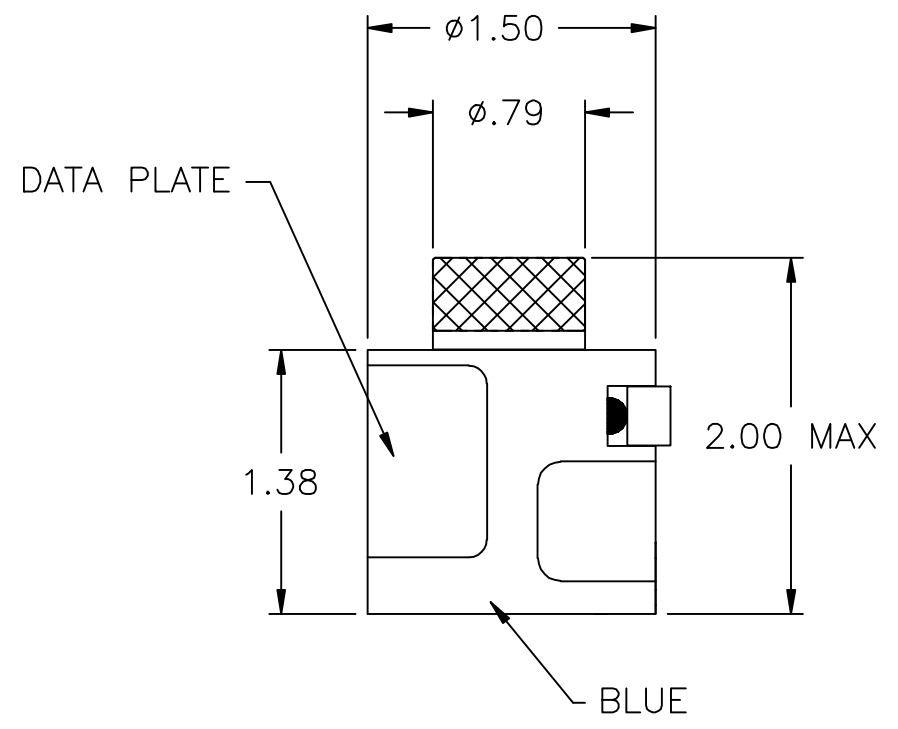
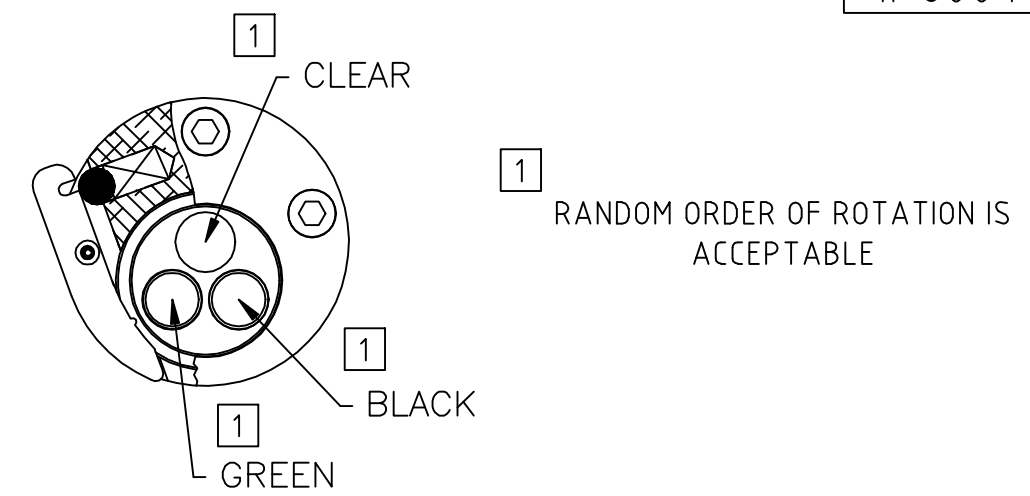


**UNCONTROLLED DOCUMENT
WILL NOT BE UPDATED**



TYPICAL CONSTRUCTION
HOLE DEPTHS ARE MEASURED FROM
TOP OF POSITIONER INSERTS.

SOURIAU 8526-11. USE WITH OUTER FERRULE			
CONTACTS		CABLE	SELECTOR NO.
PIN (BLACK)	SOCKET (GREEN)		PIN AND SOCKET
8526-2-001	8526-1-001	RG-316U	8
8526-2-002	8526-1-002	RG-178U	
8526-2-003	8526-1-003	RG-179U	

DATA PLATE

NOTES: 1. THIS IS AN AUTOCAD DRAWING DO NOT CHANGE MANUALLY.

A	NEW RELEASE.	DYO	10-11-11	MMK	THESE DRAWINGS, SPECIFICATIONS OR OTHER DATA ARE AND REMAIN, THE PROPERTY OF ASTRO TOOL CORP. AND MUST BE RETURNED UPON REQUEST. THEY CONTAIN INFORMATION OWNED AND/OR DEVELOPED BY ASTRO AT ITS OWN PRIVATE EXPENSE AND MAY NOT BE USED, DUPLICATED OR DISCLOSED TO OTHERS, IN WHOLE OR IN PART FOR DESIGN, MANUFACTURE OR PROCUREMENT WITHOUT THE WRITTEN PERMISSION OF ASTRO TOOL CORP. EACH AND EVERY TIME.	SCALE:	N.T.S.	UNLESS OTHERWISE SPECIFIED: DECIMALS: .XXX ± .005 .XX ± .010 .X ± .030 ANGLES: ± 1°	21615 S.W. TUALATIN VALLEY HWY., BEAVERTON OR 97006	CAGE 58164 DESCRIPTION: ENVELOPE DRAWING: 600475 TURRET ASSEMBLY
						DWN BY:	DYO			
REV.	DESCRIPTION	BY	DATE	APR.					PART NO.	B 600475-ENV