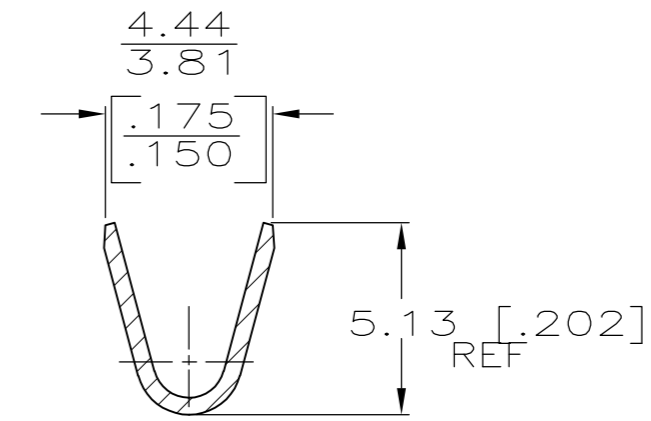
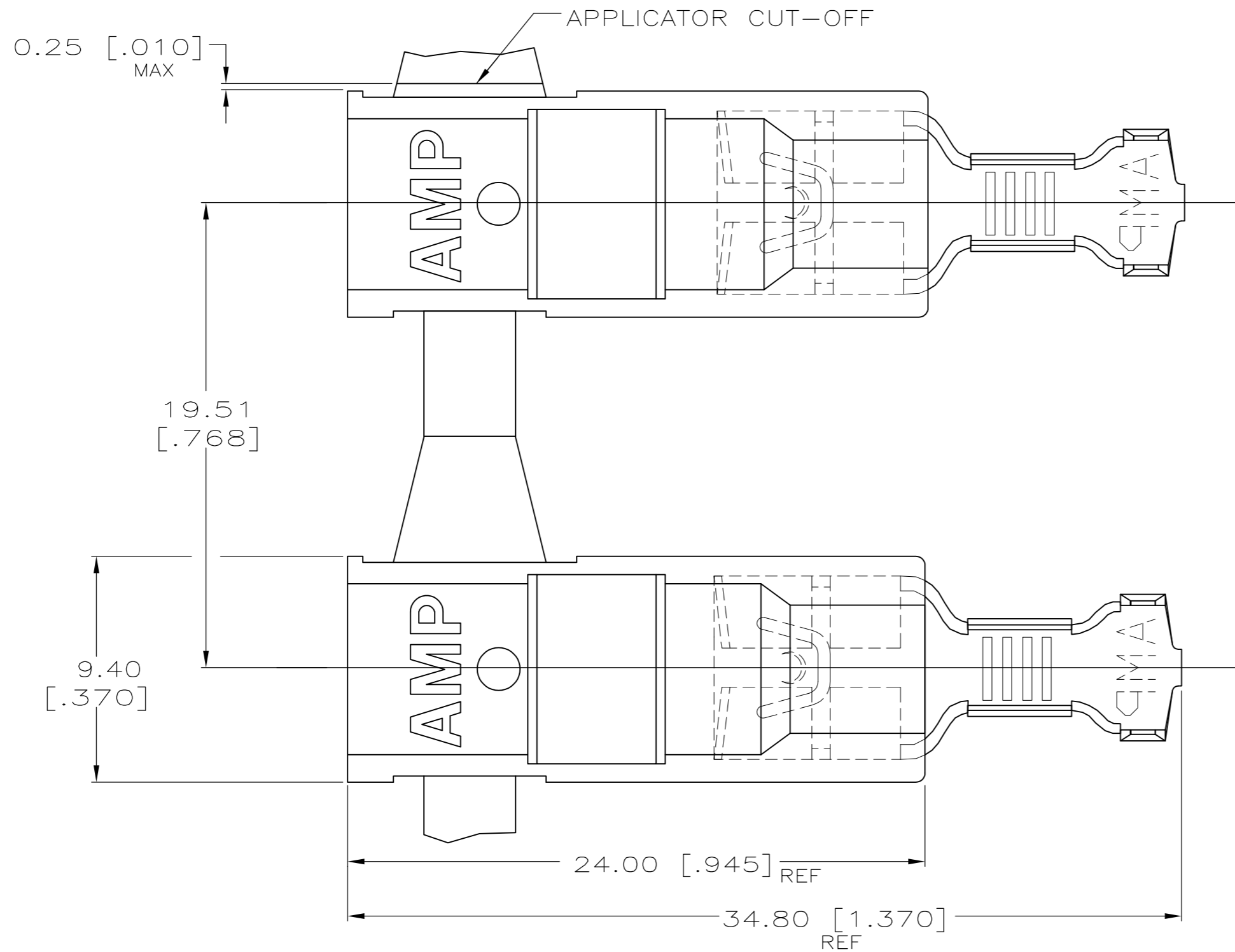
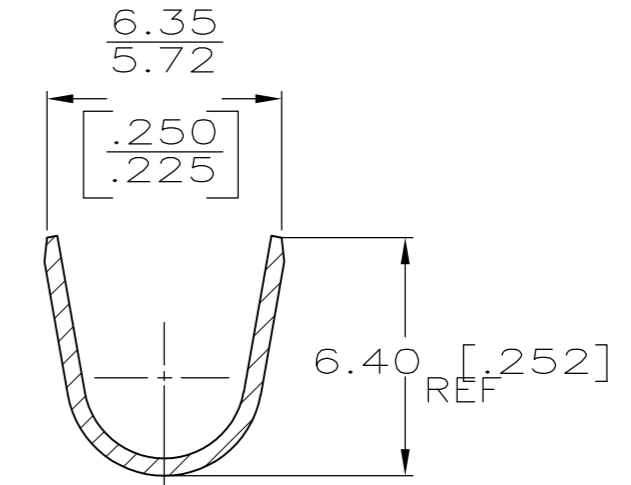
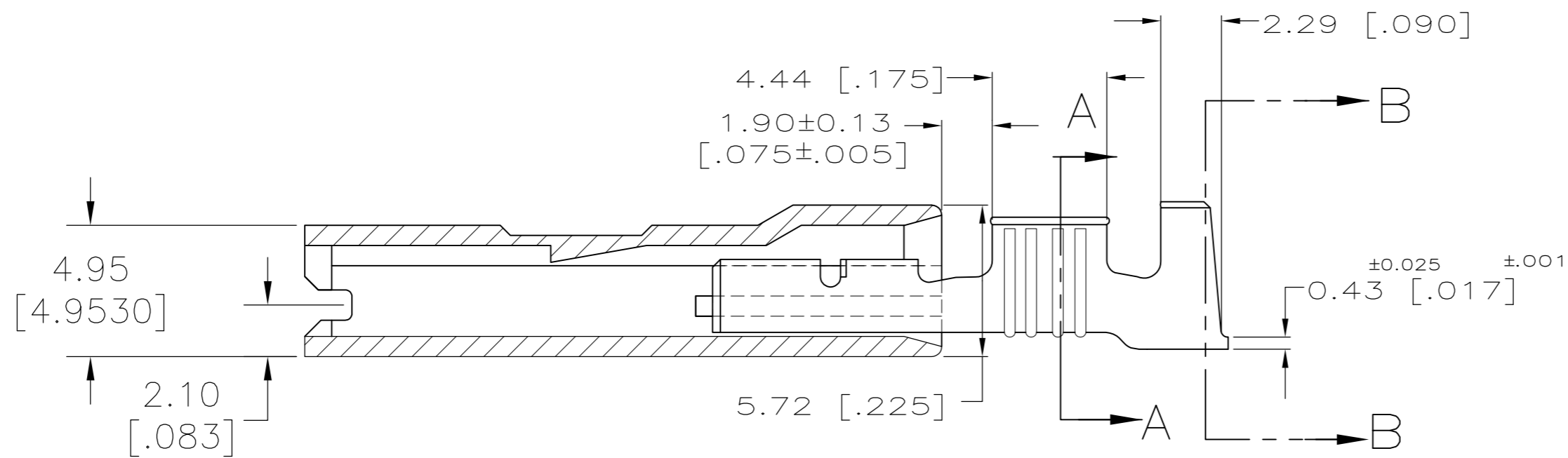


THIS DRAWING IS UNPUBLISHED. RELEASED FOR PUBLICATION
 © COPYRIGHT - By - ALL RIGHTS RESERVED.

LOC		DIST		REVISIONS			
P	LTR	DESCRIPTION		DATE	DWN	APVD	
AF	50	M2	REVISED PER ECR-12-013219	08JAN13	KH	KR	



SECTION A-A



SECTION B-B

OBSOLETE	BULK	PLAIN					-5-520974-2-
	STANDARD	2 TIN PLATED	3.30-4.57 [.130-.180]	2.0-5.0 mm [14-10]	0.813 [.032]		520974-2
	PACKAGING	PLAIN					520974-1
		TERMINAL FINISH	INSULATION RANGE	WIRE SIZE	MATING TAB THK ±0.025 [±.001]		PART NO.

- 1 LOW-INSERTION FASTON TERMINALS, BASE P/N 63639, ARE USED IN THIS PRODUCT.
- 2 0.002032 [.000080] MIN TIN PER MIL-T-10727.
- 3 MATERIAL: HOUSING - 6/6 NTLON
TERMINAL - BRASS
- 4 FINISH: HOUSING - COLOR, NATURAL
TERMINAL - SEE TABLE

THIS DRAWING IS A CONTROLLED DOCUMENT.

DIMENSIONS: mm [INCHES]	TOLERANCES UNLESS OTHERWISE SPECIFIED:	DWN JR RUTH 6/11/90	 TE Connectivity ASSEMBLY, RECEPTACLE, ULTRA-POD, 6.35 [.250] SERIES
		CHK MS FEHER 6/11/90	
		APVD -	
		PRODUCT SPEC 108-1285	
		APPLICATION SPEC 114-2124	RESTRICTED TO
MATERIAL 3	FINISH 4	WEIGHT -	SIZE A2 CAGE CODE 00779 DRAWING NO. C=520974
CUSTOMER DRAWING		SCALE 5:1	SHEET 1 OF 1 REV M2