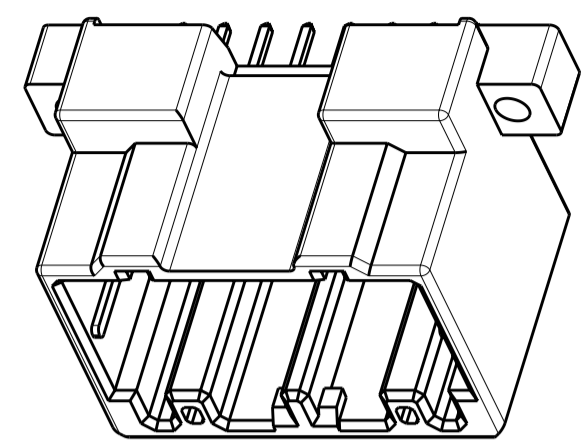
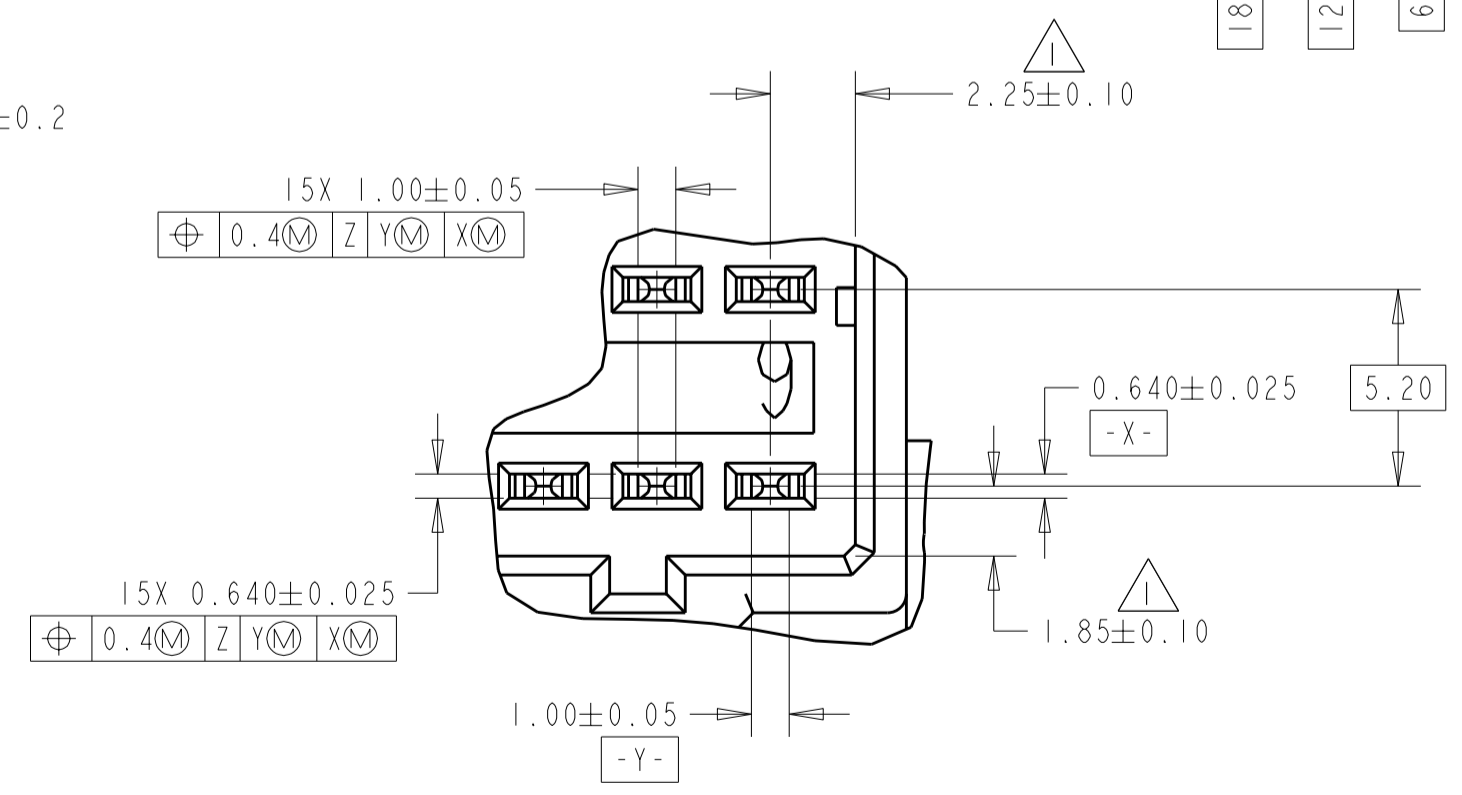
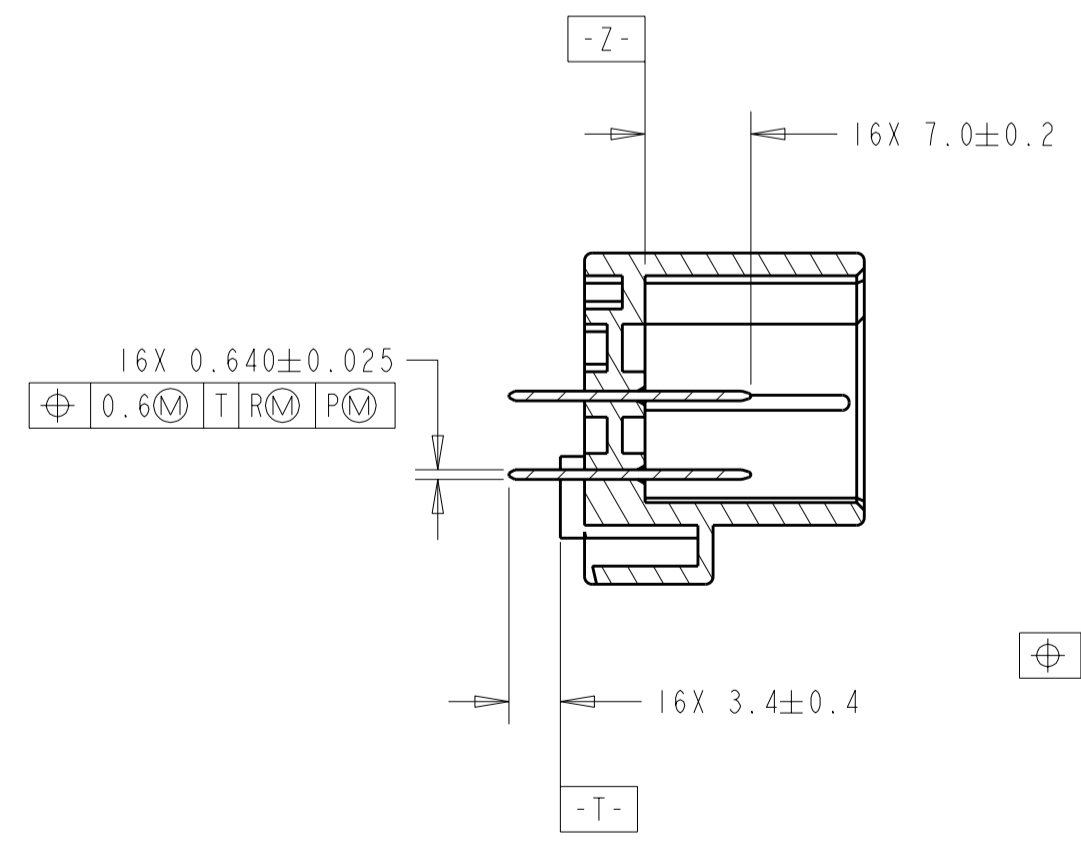
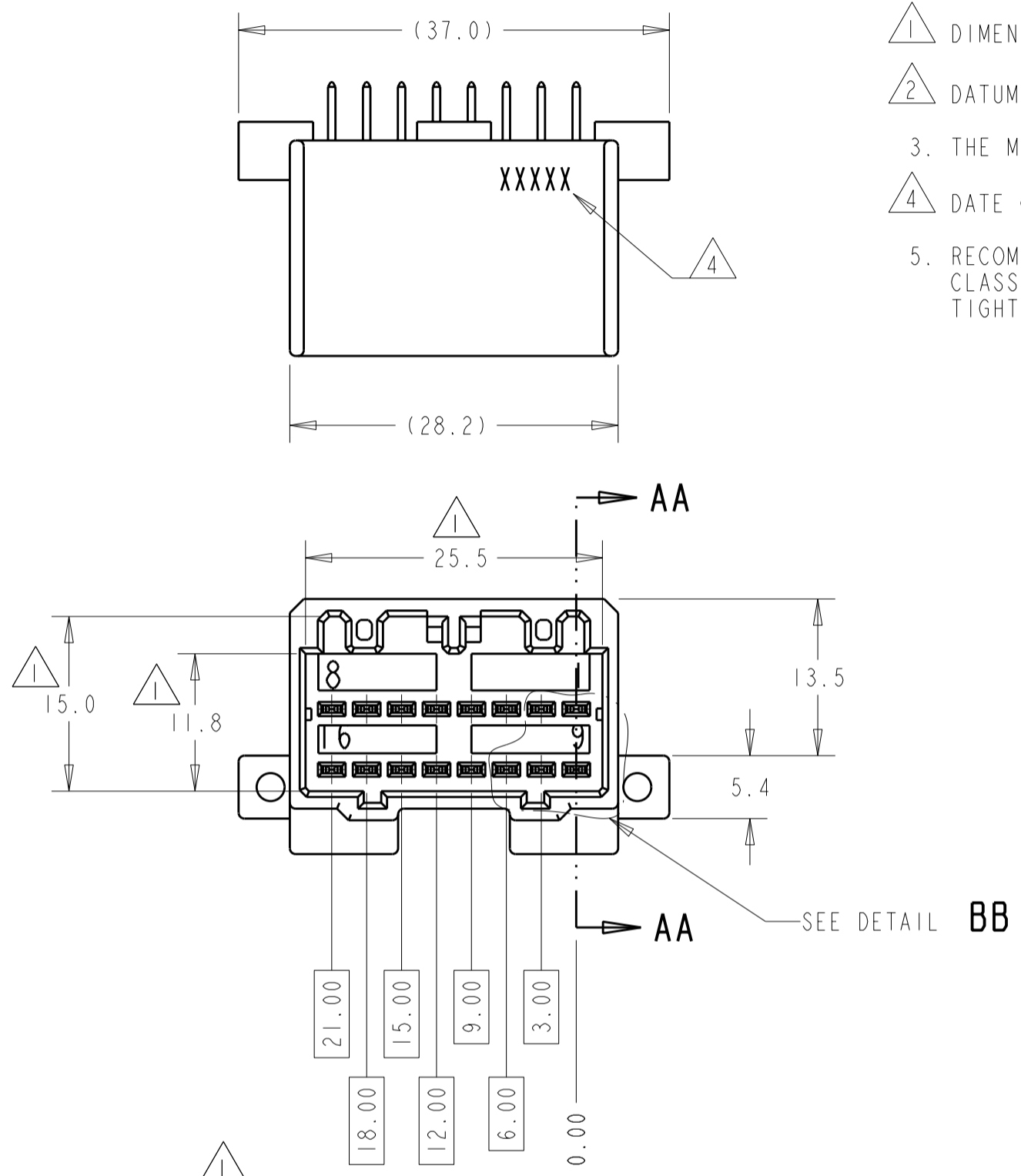
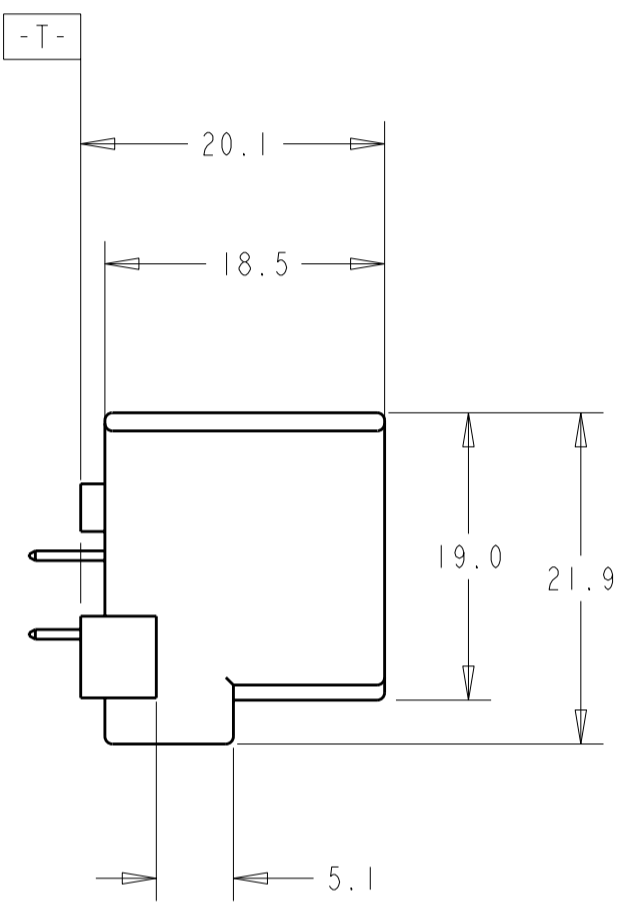
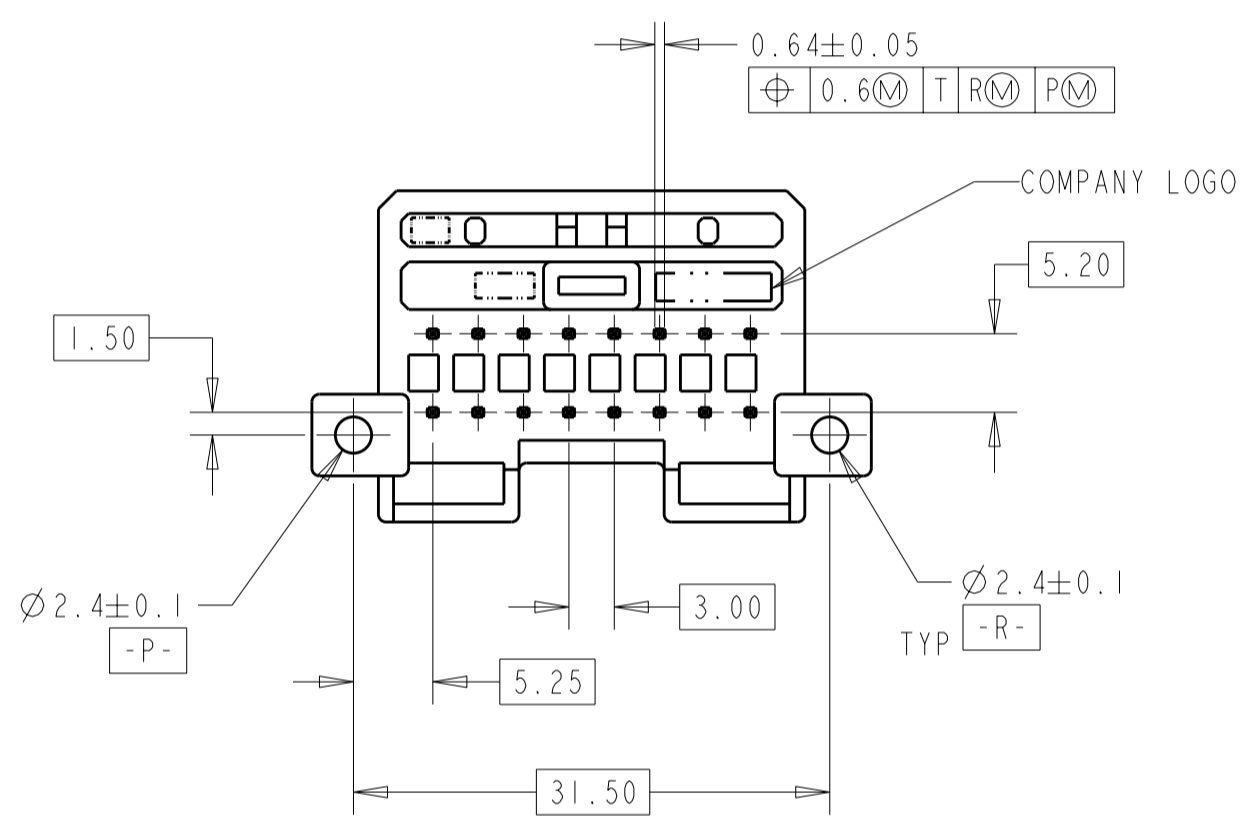


THIS DRAWING IS UNPUBLISHED. RELEASED FOR PUBLICATION 20
 © COPYRIGHT 20 BY - ALL RIGHTS RESERVED.

LOC	DIST	REVISIONS			
P	LTR	DESCRIPTION	DATE	DWN	APVD
FX	00	A	REVISED PER ECO-12-006499	03APR2012	DLD SSA



- 1 DIMENSION MUST BE HELD BETWEEN [-Z-] AND 2mm FROM [-Z-].
- 2 DATUMS AND BASIC DIMENSIONS ESTABLISHED BY CUSTOMER.
- 3. THE MATING PLUG PART NUMBER IS 917981.
- 4 DATE CODE
- 5. RECOMMENDED MOUNTING SCREW, 3mm DIA X 6mm LG, PAN HEAD, CLASS 2 TAPPING SCREW AS SPECIFIED IN JIS B1115 AND B1112. TIGHTENING TORQUE 4kg-cm MAX.



DETAIL BB
 SCALE 5:1

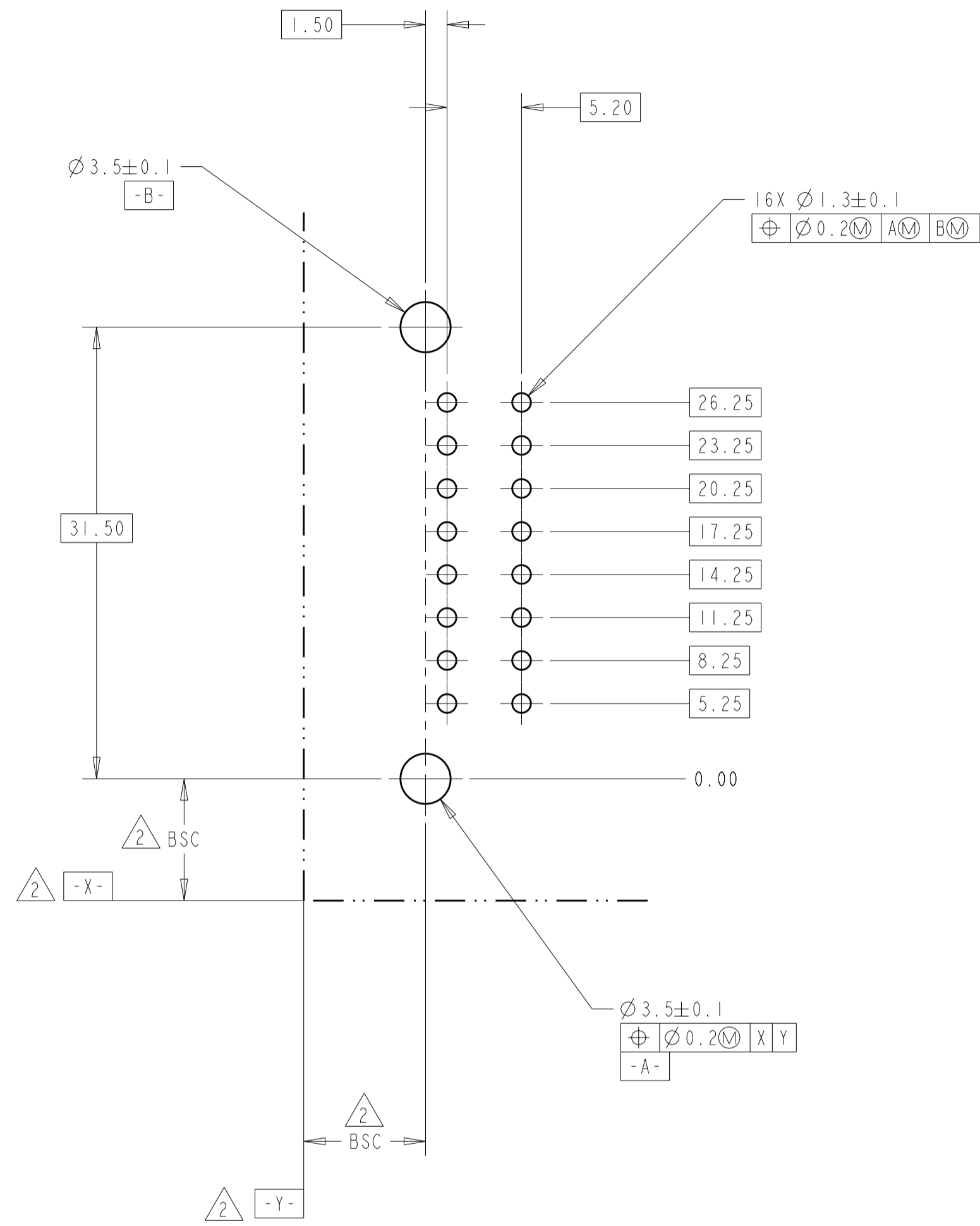
SECTION AA-AA
 (.040 TABS)

TIN	BRASS	BLACK	PCT-GF30	9-1438424-2
CONTACT FINISH	CONTACT MATERIAL	COLOR	HOUSING MATERIAL	PART NUMBER

THIS DRAWING IS A CONTROLLED DOCUMENT. DIMENSIONING AND TOLERANCING PER ASME Y14.5M-2009		DWN DL DRUMMOND 01DEC03	STE TE Connectivity	
DIMENSIONS: mm		CHK RM COOPER 01DEC03		
TOLERANCES UNLESS OTHERWISE SPECIFIED:		APVD RM COOPER 01DEC03	NAME CAP ASSEMBLY, HIGH TEMPERATURE, 16 POSITION, 040 VERTICAL HYBRID WITH SCREW HOLES	
0 PLC ±		PRODUCT SPEC 108-5342	SIZE CAGE CODE DRAWING NO RESTRICTED TO	
1 PLC ±0.3		APPLICATION SPEC -	A2 00779 C-1438424 -	
2 PLC ±0.15		WEIGHT 7.0GR	SCALE 2:1 SHEET 1 OF 2 REV A	
3 PLC ±		CUSTOMER DRAWING		
4 PLC ±				
ANGLES ±°				
FINISH				
MATERIAL SEE TABLE				

THIS DRAWING IS UNPUBLISHED. RELEASED FOR PUBLICATION 20
 © COPYRIGHT 20 BY - ALL RIGHTS RESERVED.

LOC	DIST	REVISIONS				
P	LTR	DESCRIPTION	DATE	DWN	APVD	
FX	00	SEE SHEET 1	-	-	-	



P.C. BOARD LAYOUT

THIS DRAWING IS A CONTROLLED DOCUMENT. DIMENSIONING AND TOLERANCING PER ASME Y14.5M-2009		DWN DL DRUMMOND 01DECO3 CHK RM COOPER 01DECO3 APVD RM COOPER 01DECO3	TE Connectivity	
DIMENSIONS: mm 		PRODUCT SPEC 108-5342	NAME CAP ASSEMBLY, HIGH TEMPERATURE, 16 POSITION, 040 VERTICAL HYBRID WITH SCREW HOLES	
TOLERANCES UNLESS OTHERWISE SPECIFIED: 0 PLC ± 1 PLC ±0.3 2 PLC ±0.15 3 PLC ± 4 PLC ± ANGLES ±° FINISH		APPLICATION SPEC -	SIZE A2	CAGE CODE 00779
MATERIAL SEE TABLE		WEIGHT 7.0GR	DRAWING NO. C-1438424	RESTRICTED TO -
SEE TABLE		CUSTOMER DRAWING	SCALE 2:1	SHEET 2 OF 2 REV A